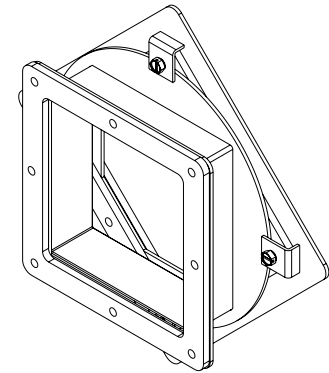


PART No. 1487DV1

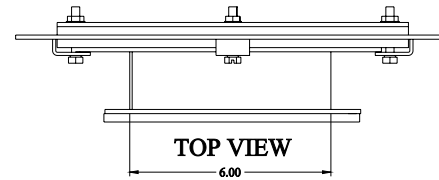
Data subject to change without notice

Isometric drawing Not to Scale

Gross Automation (877) 268-3700 · www.hammondenclosuresales.com · sales@grossautomation.com

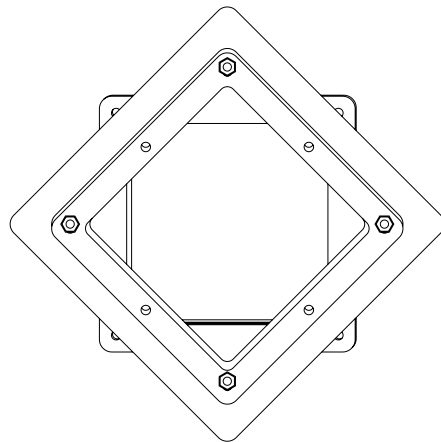


ISOMETRIC VIEW

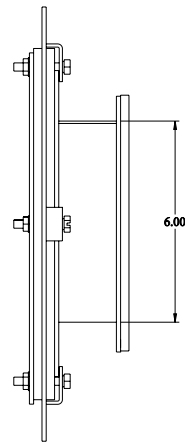


TOP VIEW

6.00

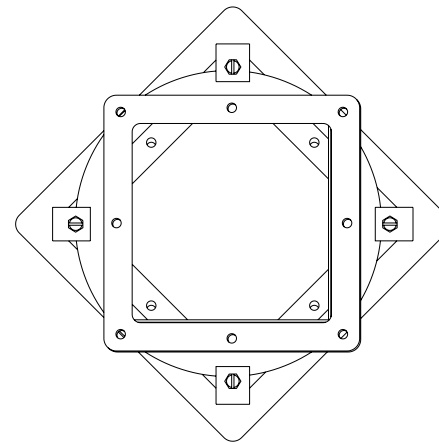


BACK VIEW

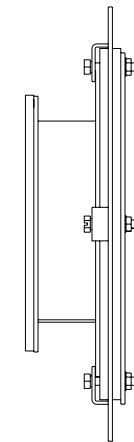


SIDE VIEW

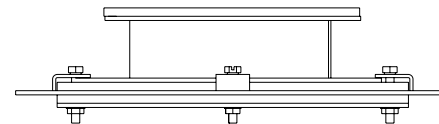
6.00



FRONT VIEW



SIDE VIEW



BOTTOM VIEW