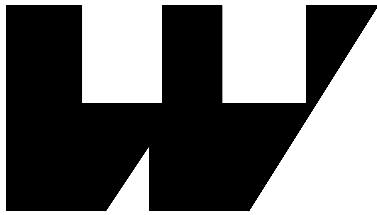


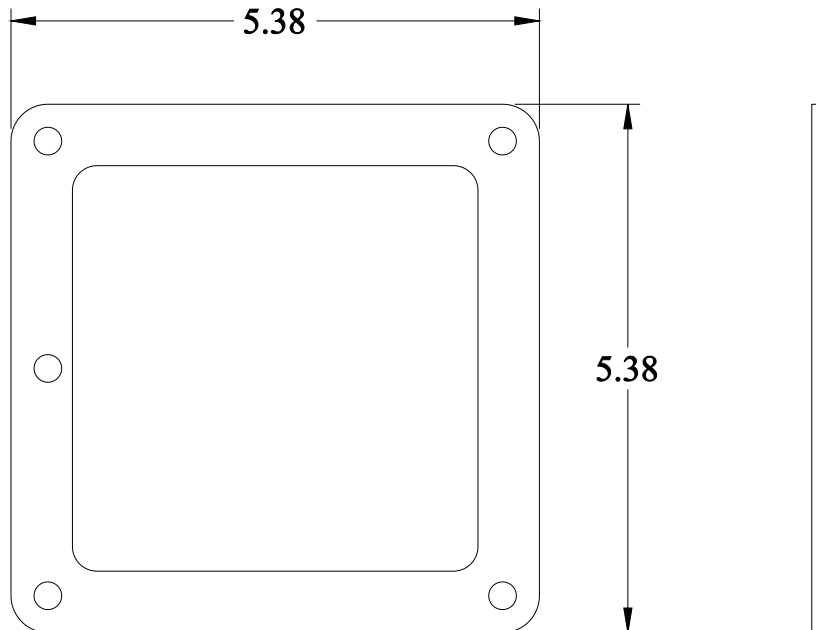
# PART No. 1487CK



Data subject to change without notice

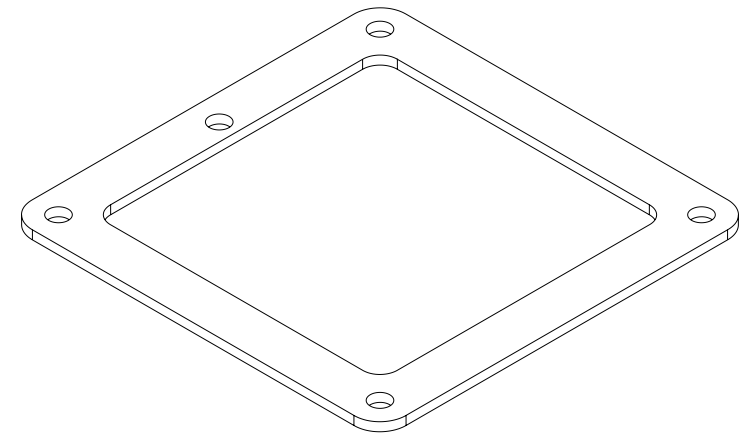
Isometric drawing Not to Scale

Gross Automation (877) 268-3700 · [www.hammondenclosuresales.com](http://www.hammondenclosuresales.com) · [sales@grossautomation.com](mailto:sales@grossautomation.com)



**FRONT VIEW**

**SIDE VIEW**



**ISOMETRIC VIEW**