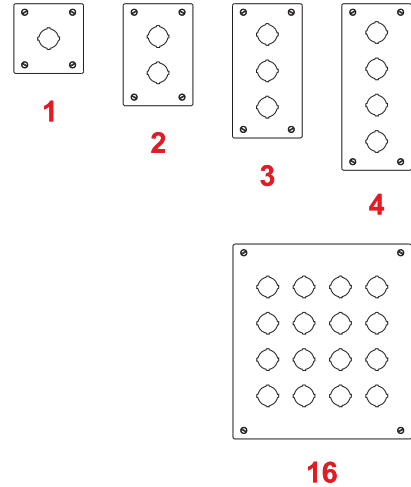


# Pushbutton Enclosures - NEMA 4, 4X

## 1437 Stainless Steel Series

Operator Interface Enclosure



Pushbutton Enclosures

### Application

- Designed to accept standard heavy duty oil tight pushbuttons, switches and pilot lights.
- Provides protection from dirt, dust, oil and water.

### Standards

- UL 508 Type 4 and 4X
- CSA Enclosure 4 and 4X
- **Complies with**
  - NEMA Type 4 and 4X
  - IEC 60529, IP66
  - JIC STD EGP-1-1967
- Appropriate components are required to maintain these standards.

### Construction

- Formed from 14 gauge steel except A which is 16 gauge.
- Smooth continuously welded seams.
- Welded brackets provide for enclosure mounting.
- Captive cover screws fasten into threaded, sealed wells.
- Larger enclosures provide internally hinged removable covers, designed to hold the cover open during wiring (see table).
- Oil resistant gasket and adhesive.
- A bonding stud is provided on the door and a grounding stud is provided on the enclosure.

### Finish

- Natural stainless steel with a smooth brushed finish.

### Accessories

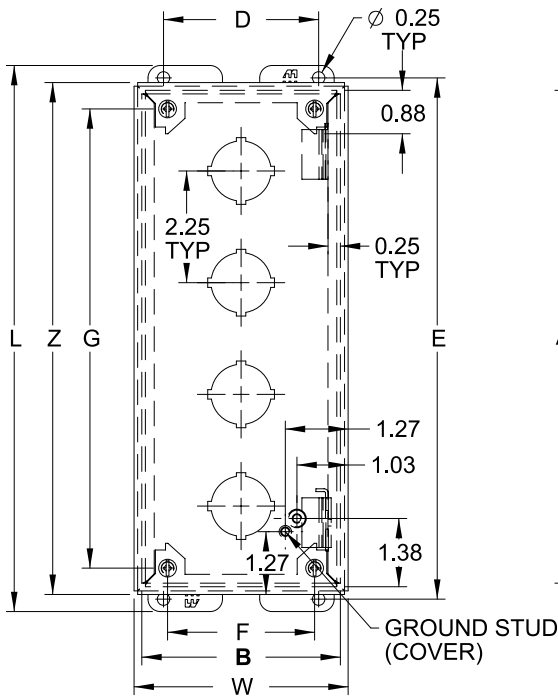
- Hole plugs...see page 435
- Pedestals...see page 454

# Pushbutton Enclosures - NEMA 4, 4X

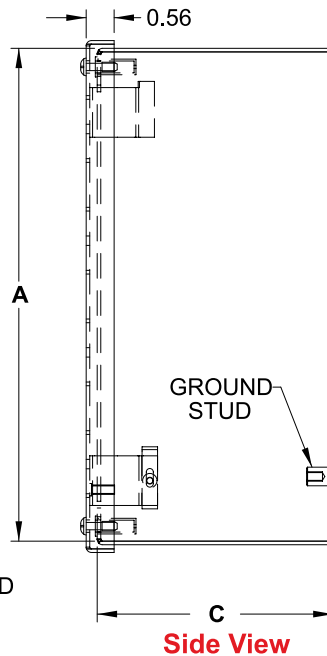
## 1437 Stainless Steel Series

Operator Interface Enclosure

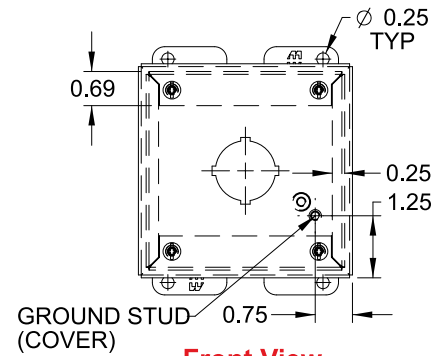
Pushbutton Enclosures



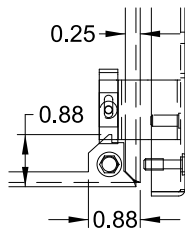
**Front View**  
Body Type B through S  
(Hinged)



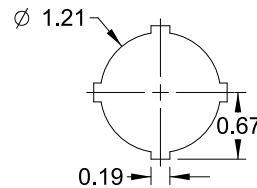
**Side View**



**Front View**  
Body Type A  
(Not Hinged)



**Hinge Detail**  
Retractable pin allows door to be mounted on left or right side



**22.5mm Detail**  
(1437M Series)

Part No.		No.	Overall Dimensions										Ship Wt.
304 SS 30.5mm	316 SS 30.5mm	Of Holes	A	B	C	D	E	F	G	L	W	Z	lbs.
1437SSA <sup>1</sup>	1437S16A <sup>1</sup>	1	4	4	4.75	3.13	4.5	2.96	3.25	5	4.31	4.31	3
1437SSB	1437S16B	2	6	4	4.75	3.13	6.5	2.96	5.25	7	4.31	6.31	4
1437SSC	1437S16C	3	8	4	4.75	3.13	8.5	2.96	7.25	9	4.31	8.31	5
1437SSD	1437S16D	4	10	4	4.75	3.13	10.5	2.96	9.25	11	4.31	10.31	5
1437SSS	1437S16S	16	11.75	10.75	4.75	9.88	12.25	9.71	11	12.75	11.06	12.06	10

<sup>1</sup> not hinged