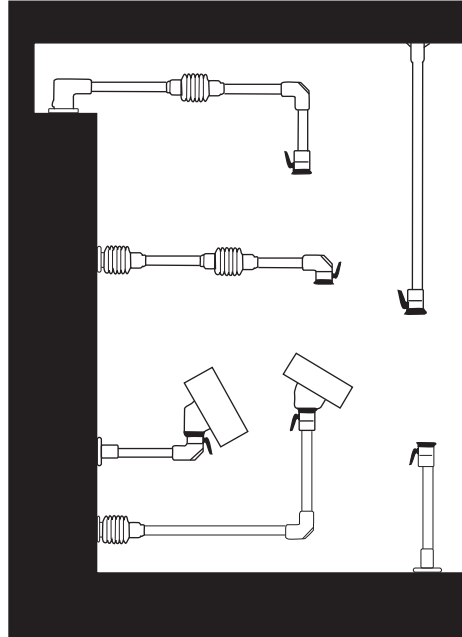
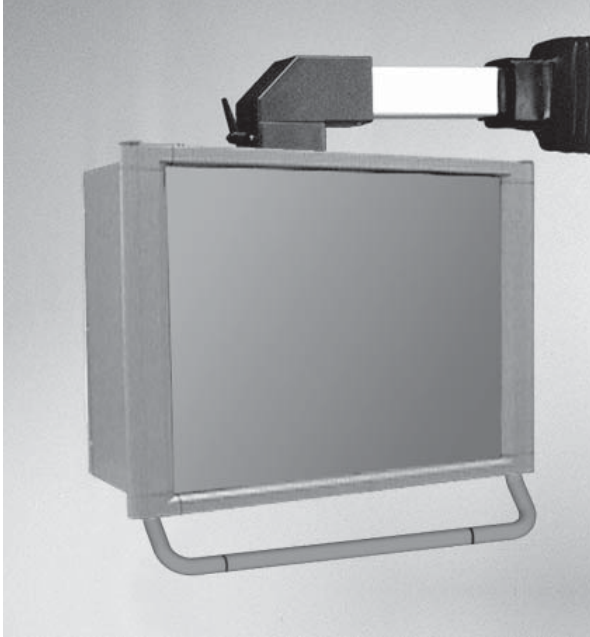


Suspension Systems - NEMA 12, 13

Heavy Duty 50 mm or 80 mm

Operator Interface Enclosure



Application

- Command 50mm and 80mm enclosure suspension systems are designed for medium and heavy loads.
- The strength of square tube and cast fittings provide a highly flexible, robust system.

Construction

- Enclosure coupling and elbow coupling fittings are die-cast from G Al Si 12 aluminum.
- All other fittings are die-cast 4G-s.g. iron.
- Suspension tubing is steel.

Finish

- Fittings are finished in RAL 7040 window gray powder coating.
- Suspension tubing is RAL 7035 light gray powder coating.

Standards

- **Complies with**
 - IEC 60529, IP 54

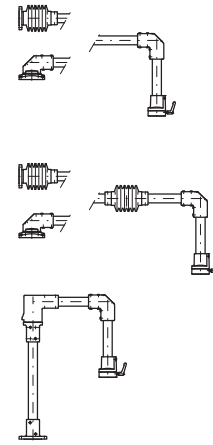
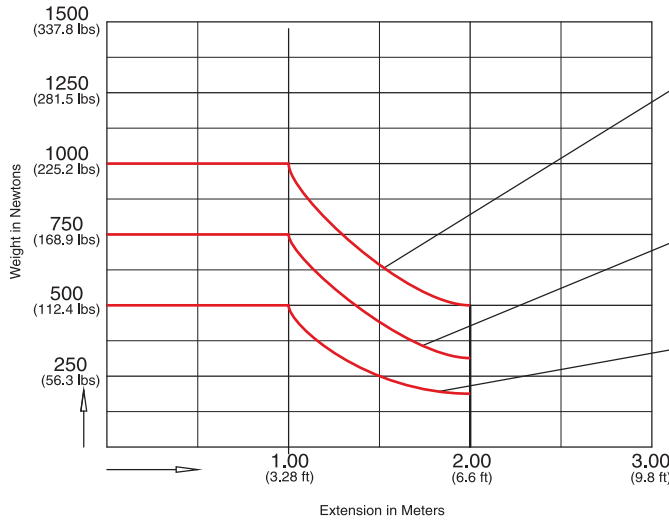
Suspension System

Suspension Systems - NEMA 12, 13

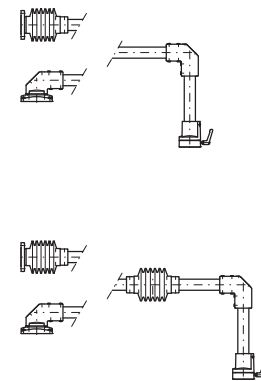
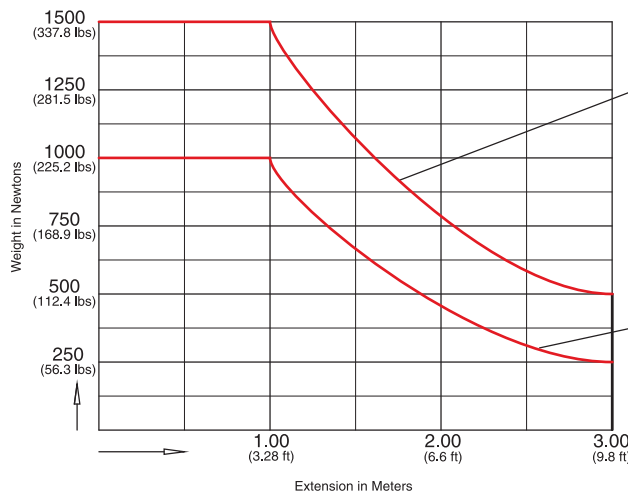
Heavy Duty 50 mm or 80 mm

Operator Interface Enclosure

Load Capacity for 50mm



Load Capacity for 80mm



Measurement Conversions

1 kg = 9.81 N

1 lb = 4.44 N

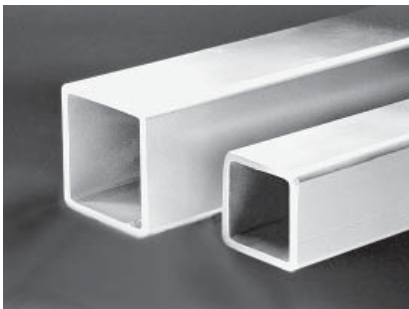
e.g. 500 Newtons = 51 kg = 112.4 lbs

300 Newtons = 30.6 kg = 67.4 lbs

100 Newtons = 10.2 kg = 22.5 lbs

1 foot = 0.305 m

Suspension System



Suspension Tube

Part No.	Outside mm	Inside mm	Tolerance	Length		Ship Wt. lbs
				Metres	Feet	
R144-021-000R	50	40	±0.5	1	3.28	17
R144-022-000R	Square			2	6.56	26
R144-041-000R	80	70	±0.6	1	3.28	21
R144-042-000R	Square			2	6.56	33

Technical references and CAD downloads available at www.hammondmfg.com

All dimensions in inches unless specified otherwise

Quality Products. Service Excellence.

Suspension Systems - NEMA 12, 13

Heavy Duty 50 mm or 80 mm Components

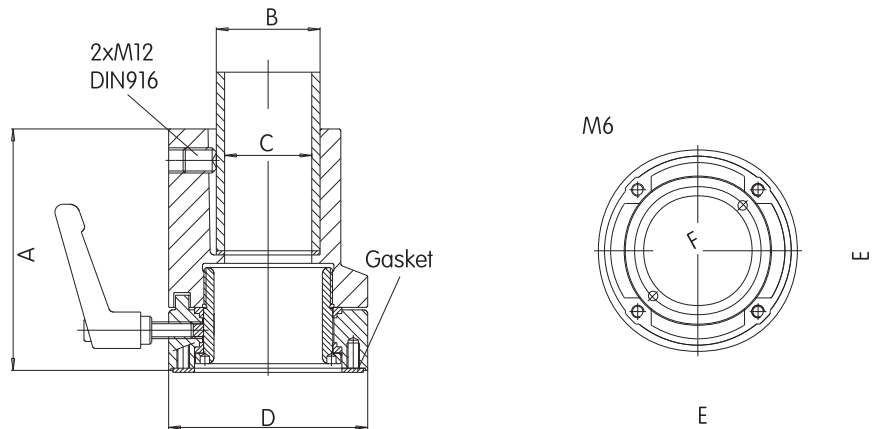
Operator Interface Enclosure



Enclosure Coupling

- Cast aluminum.
- Large thrust flange.
- Fastens with 4 hex socket screws.
- Adjustable torque resistance.
- Features a rotation range of 300°.

Part No.	System	A	B	C	D	E	F	Ship Wt. lbs.
R147-025-000R	in 50	4.53	1.97	1.65	3.78	2.28	2.06	3
	mm	115	50	42	96	58	52.3	
R147-025-200R	in 80	5.71	3.15	2.83	5.47	3.42	3.35	7
	mm	145	80	72	139	87	85	



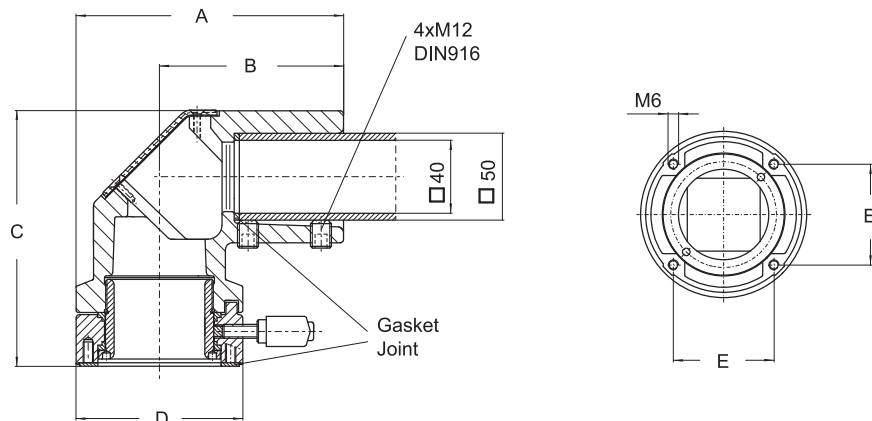
Suspension System



Elbow Coupling

- Cast Aluminum
- Large thrust flange.
- Fastens with 4 hex socket screws.
- Adjustable torque resistance.
- Features a rotation range of 300°.

Part No.	System	A	B	C	D	E	Ship Wt. lbs.
R147-035-000R	in 50	6.06	4.17	5.79	3.78	2.28	5
	mm	154	106	147	96	58	
R147-035-200R	in 80	8.21	5.47	7.48	5.47	3.43	15
	mm	208.5	139	190	139	87	



Suspension Systems - NEMA 12, 13

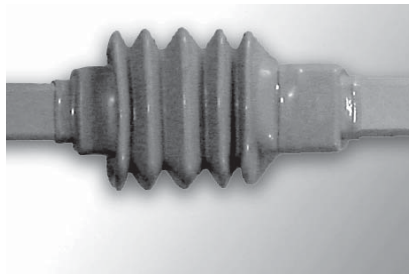
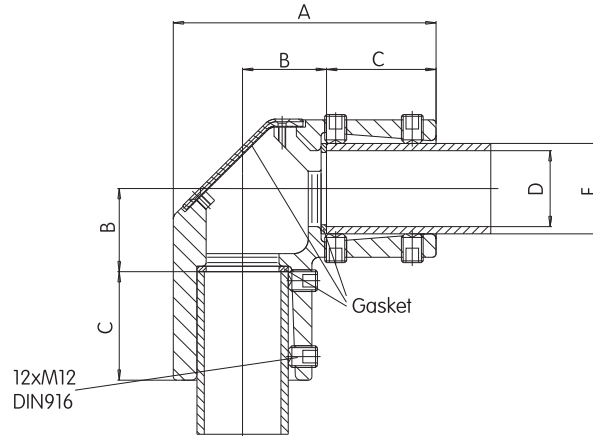
Heavy Duty 50 mm or 80 mm Components

Operator Interface Enclosure


Elbow

- Cast Aluminum
- Large cover opening for easier cable pull through.

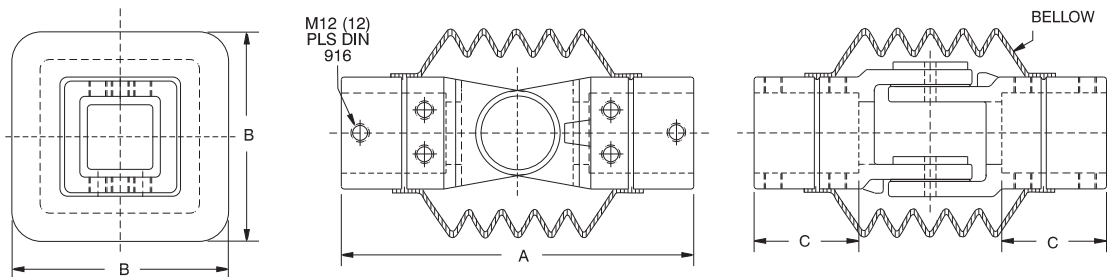
Part No.	System	A	B	C	D	E	Ship Wt. lbs.	
R147-020-000R	in	50	5.67	1.81	2.36	1.57	1.97	3
	mm		144	46	60	40	50	
R147-020-200R	in	80	7.60	2.20	3.27	2.76	3.15	6
	mm		193	56	83	70	80	



Intermediate Joint

- 4G-s.g. cast iron.
- Integrated movement stop.
- One piece bellow.
- Two sleeves.
- Features a rotation range of 170°.

Part No.	System	A	B	C	Ship Wt. lbs.	
R147-015-000R	in	50	9.29	5.83	2.76	9
	mm		236	148	70	
R147-015-200R	in	80	12.60	7.48	3.70	24
	mm		320	190	94	


Suspension System

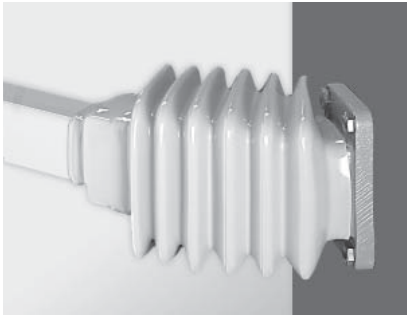
 Technical references and CAD downloads available at www.hammondmfg.com

All dimensions in inches unless specified otherwise

Quality Products. Service Excellence.

Suspension Systems - NEMA 12, 13

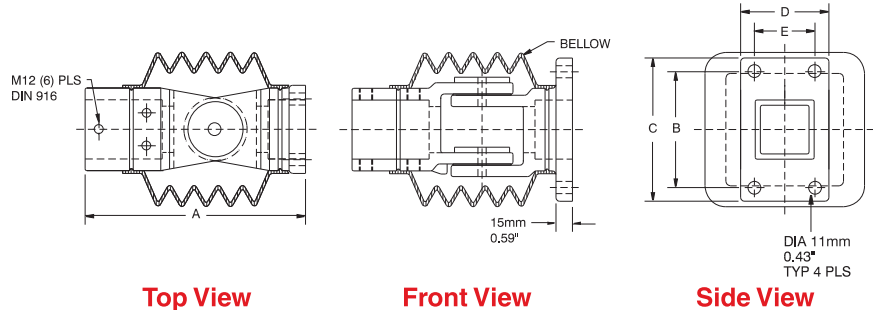
Heavy Duty 50 mm or 80 mm Components

Operator Interface Enclosure


Wall Joint

- 4G-s.g. cast iron.
- Integrated movement stop.
- One piece bellow.
- Two sleeves.
- Features a rotation range of 170°.

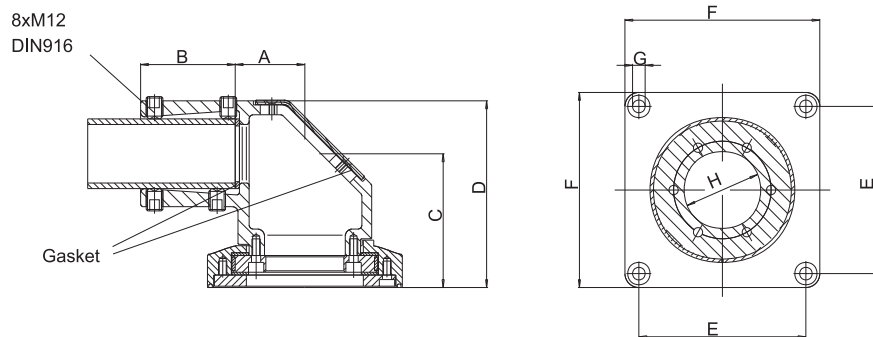
Part No.	System	A	B	C	D	E	Ship Wt. lbs.
R147-010-000R	in	50	8.27	4.13	5.12	3.15	2.17
	mm		210	105	130	80	55
R147-010-200R	in	80	10.83	5.91	6.89	4.53	3.54
	mm		275	150	175	115	90


Suspension System


Socket Joint

- Cast Aluminum.
- Integrated movement stop.
- Service free bearings.
- Features a rotation range of 300°.
- Can mount on top of machine or inverted.

Part No.	System	A	B	C	D	E	F	G	H	Ship Wt. lbs.
R147-005-000R	in	50	1.97	2.68	3.78	5.28	4.72	5.51	.35	2.17
	mm		50	68	96	134	120	140	9	55
R147-005-200R	in	80	2.91	3.86	5.57	7.70	7.09	8.27	.51	3.30
	mm		74	98	141.5	195.5	180	210	13	84



Suspension Systems - NEMA 12, 13 Heavy Duty 50 mm or 80 mm Components

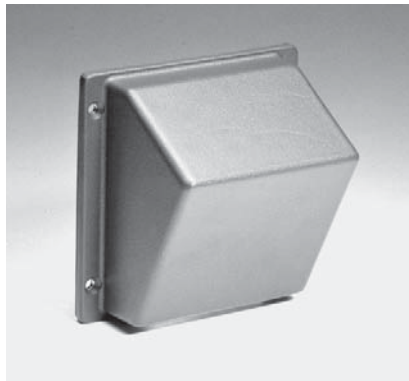
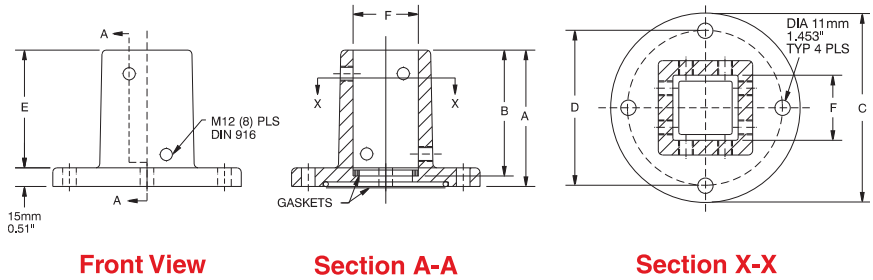
Operator Interface Enclosure



Cast Iron Base

- 4G-s.g. cast iron.
- Gasket included.
- Does not rotate.

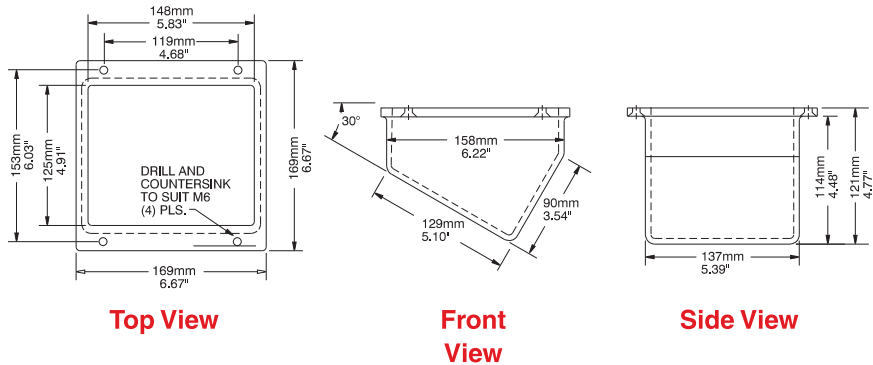
Part No.	System	A	B	C	D	E	F	Ship Wt. lbs.
R147-030-000R	in	50	4.33	3.94	5.98	4.92	3.74	1.97
	mm		110	100	152	125	95	50
R147-030-200R	in	80	5.51	5.12	7.87	6.81	4.92	3.15
	mm		140	130	200	173	125	80



Slope Adaptor

- Provides 30° or 60° incline by mounting to rear of enclosure.
- Cast aluminum.

Part No.	Ship Wt. lbs.
R140-045-000R	8



Suspension System

Technical references and CAD downloads available at www.hammondmfg.com All dimensions in inches unless specified otherwise