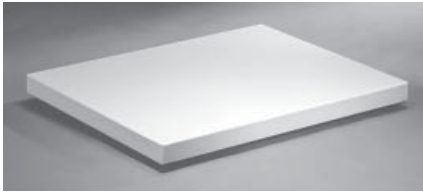


# Series 2000 Modular Console System - NEMA 12, 4, 4X

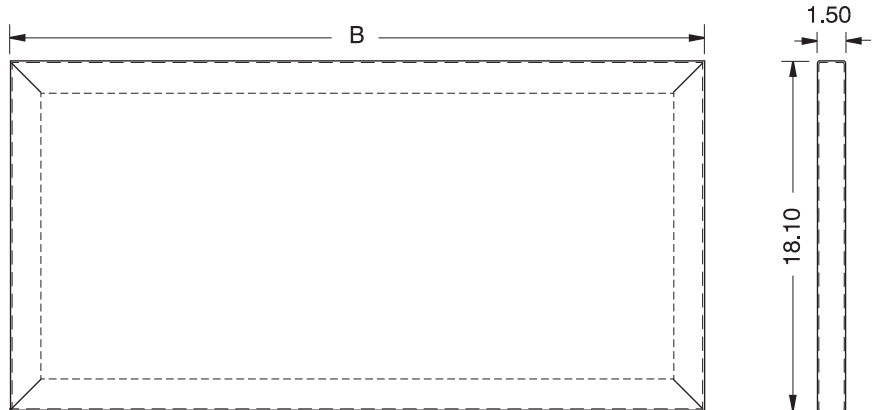
## External Components/Internal Accessories

Operator Interface Enclosure



### Base Cover

- Should be used to close top opening (of either single or dual access) base when no other components are mounted on the base's top.
- Constructed of 14 gauge steel.
- Available light gray and natural stainless steel.
- Can also be used on the underside of a Standard Desk Unit, Standard Turret and Data Terminal.



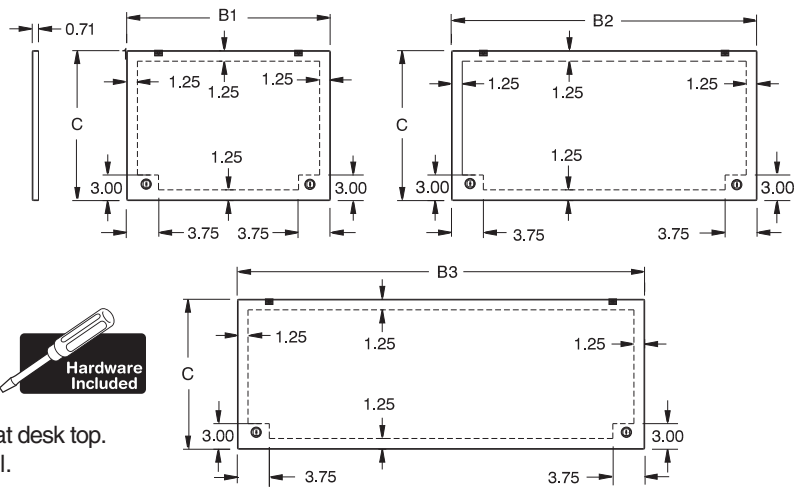
RAL 7035 Light Gray Part No.	Stainless Steel Part No.	B
2CLBC2436	2CSBC2436	24
2CLBC3636	2CSBC3636	36
2CLBC4836	2CSBC4836	48
2CLBC6036	2CSBC6036	60

Modular Console System



### Desk Cover

- For use when no turret is used on top of desk.
- Provides a hinged, flat, sturdy desk surface.
- Available for either Standard or Deep desks.
- Constructed of 14 gauge steel.
- Features quarter turn latches for easy access into flat desk top.
- Available in light gray and natural stainless steel.



RAL 7035 Light Gray Part No.	Stainless Steel Part No.	B1	B2	B3	C
<b>Standard Depth Desk Cover</b>					
2CLDC2436	2CSDC2436	23.75	—	—	16.38
2CLDC3636	2CSDC3636	—	35.75	—	16.38
2CLDC4836	2CSDC4836	—	—	47.75	16.38
2CLDC6036	2CSDC6036	—	—	59.75	16.38
<b>Deep Depth Desk Cover</b>					
2CLDC2443	2CSDC2443	23.75	—	—	24.03
2CLDC3643	2CSDC3643	—	35.75	—	24.03
2CLDC4843	2CSDC4843	—	—	47.75	24.03
2CLDC6043	2CSDC6043	—	—	59.75	24.03

Technical references and CAD downloads available at [www.hammondmfg.com](http://www.hammondmfg.com)

All dimensions in inches unless specified otherwise

## Series 2000 Modular Console System - NEMA 12, 4, 4X

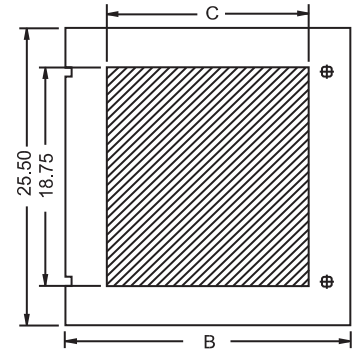
### External Components/Internal Accessories

Operator Interface Enclosure



#### Base Window Door

- Maintains the NEMA rating of the enclosure.
- Constructed of 14 gauge steel and lexan window.
- Easy field installation.
- Available for the 4 base widths.
- On 2 door units, a window can be installed on one side only.
- Available in light gray and natural stainless steel.



RAL 7035 Light Gray Part No.	Stainless Steel Part No.	Fits Base Width	B	C
2CLBW24	2CSBW24	24	23.75	16.75
2CLBW36	2CSBW36	36	35.75	28.75
2CLBW48	2CSBW48	48	23.75	16.75
2CLBW60	2CSBW60	60	29.75	22.75



#### Base Panel

- 14 gauge steel panels are finished in white.
- Used in both single access and dual access bases.
- Available in 4 widths.
- Mounts into "C" Channel Mounting Kit (not included.)
- Hardware required for mounting into "C" channels is included.

Part No.	Fits Base			
	Width	Height	Width	Depth
2CWBP24	24	22.5	20	0.75
2CWBP36	36	22.5	32	0.75
2CWBP48	48	22.5	44	0.75
2CWBP60	60	22.5	56	0.75



#### Console Panel

- 12 gauge steel panels.
- Available in 4 widths.
- Mounts onto panel mounting studs in consolet.
- Finished in white.



Part No.	Fits Consolet Width	Height	Width	Depth
2CWCP24	24	30.5	20.5	0.75
2CWCP36	36	30.5	32.5	0.75
2CWCP48	48	30.5	44.5	0.75
2CWCP60	60	30.5	56.5	0.75

Modular Console System

# Series 2000 Modular Console System - NEMA 12, 4, 4X

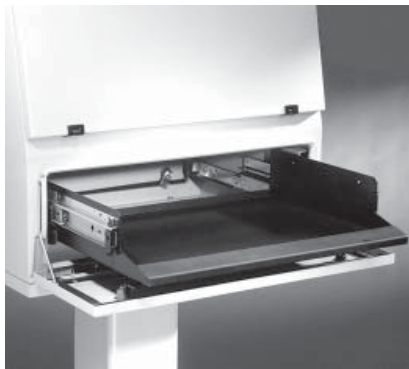
## Internal Accessories

**Operator Interface Enclosure**

### Desk Inner Panel

- 12 gauge steel panels.
- Used in both Standard and Deep desks.
- Available in 4 widths.
- Mounts horizontally onto panel mounting channels in bottom of desk.
- Finished in white.

Part No.	Fits Console Width	Height	Width	Depth
2CWDP24	24	0.5	22	16
2CWDP36	36	0.5	34	16
2CWDP48	48	0.5	46	16
2CWDP60	60	0.5	58	16



### Terminal Keyboard Shelf

- Designed specifically for use in Data Terminal.
- Sloped wrist rest provides comfort for operator.
- Locks in place when extended.
- 20" width accommodates standard width keyboards.
- Finished in textured black.
- Slides included.

Part No.	Height	Width	Depth
2CWDSR	3.88	20	15.63

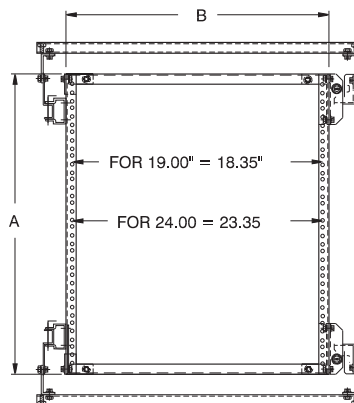


### Swing Frame

- Available in 19" and 24" widths.
- Variable depth feature allows front to rear adjustment.
- Installs with either left or right hinging.
- Mounts onto Rail Support Kits (not included)...see next page.
- Clip nuts required for mounting to punched rails...see page 433
- Finished in textured black.



Part No.	Fits Console Unit	Fits Console Size	Panel Width	Panel Height	A	B
2CSFT19	Turrets/Terminal	24,36,48,60	19"	8U	15.75	19.28
2CSFT24	Turrets/Terminal	36,48,60	24"	8U	15.75	24.28
2CSFB19	Bases	24,36,48,60	19"	12U	22.09	19.28
2CSFB24	Bases	36,48,60	24"	12U	22.09	24.28


 Technical references and CAD downloads available at [www.hammondmfg.com](http://www.hammondmfg.com)

All dimensions in inches unless specified otherwise

**Modular Console System**

# Series 2000 Modular Console System - NEMA 12, 4, 4X

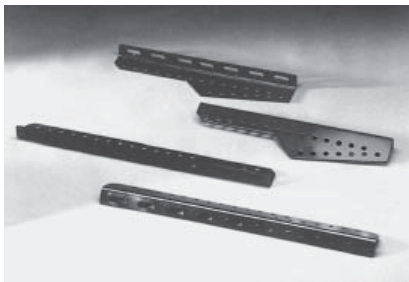
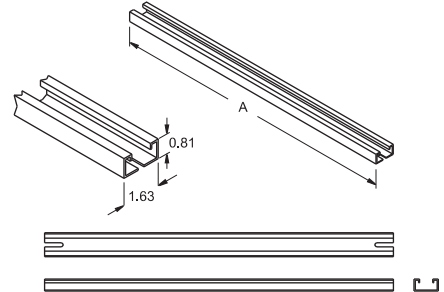
## Internal Accessories

**Operator Interface Enclosure**


### "C" Channel Mounting Kit

- For use in Turrets, Data Terminals and Bases.
- Provide adjustable (side to side) mounting support for Base Panels and all Rail Support Kits.
- Available in 4 widths.
- Finished in textured black.

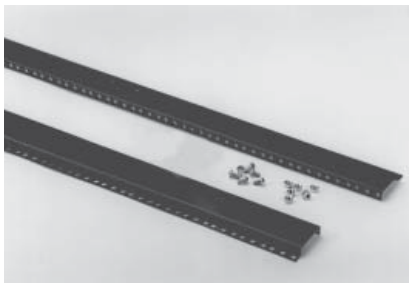
Part No.	Fits Console Width	A
<b>2CMC24</b>	24	23.5
<b>2CMC36</b>	36	33.5
<b>2CMC48</b>	48	47.5
<b>2CMC60</b>	60	59.5



### Rail Support Kit

- Separate kits for Standard Turret/Data Terminal, Deep Turret and Bases.
- For use with Swing Frame, CRT Mounting Kit and Combination Rails.
- Mount into "C" channels (not included - see above).
- Finished in textured black.

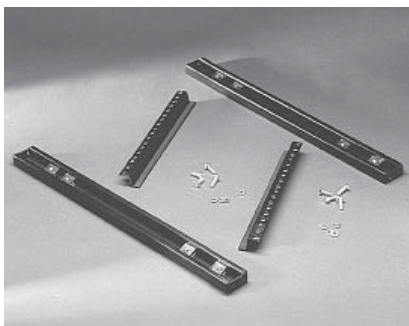
Part No.	Fits Console Unit
<b>2CTRSK36</b>	Turret/Terminal
<b>2CTRSK43</b>	Deep Turret
<b>2CBRSK</b>	Base



### Combination Rails

- Provide standard 19"/24" mounting for electronic equipment or other console accessories.
- Features punched universal EIA spacing.
- Mounts onto Rail Support Kits (not included - see above).
- Clip nuts required for mounting to punched rails...see page 433
- Finished in black.

Part No.	Units	Fits Console Unit
<b>2CTRK</b>	9	Turrets/Terminal
<b>2CBRK</b>	13	Base


**Modular Console System**


### CRT Mounting Kit

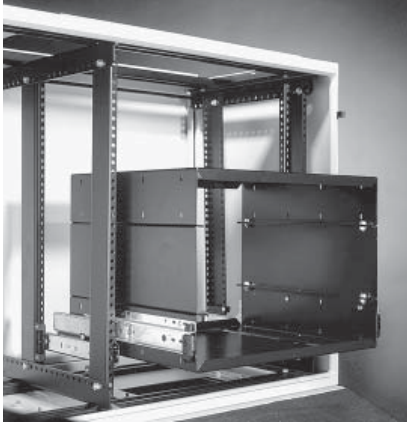
- Adjustable width allows for mounting of most CRT models.
- For use in Turrets or Data Terminal.
- Mounts onto Rail Support Kits (not included - see above).
- Finished in textured black.

Part No.	<b>2CRTK</b>
----------	--------------

# Series 2000 Modular Console System - NEMA 12, 4, 4X

## Internal Accessories

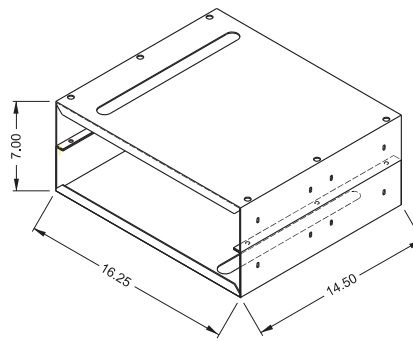
Operator Interface Enclosure



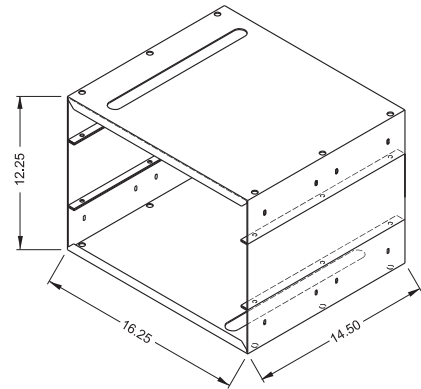
### Printer and Paper Stand

- Provides convenient pullout access and support for printers in bases.
- Two versions available for high or low applications.
- Mounts onto Combination Rails (not included)...see page 226.
- Finished in textured black.
- Slides included.

Part No.	Description	Height
<b>2CLPS</b>	Low Printer Stand	7.00
<b>2CHPS</b>	High Printer Stand	12.25



Low Printer Stand



High Printer Stand

Modular Console System



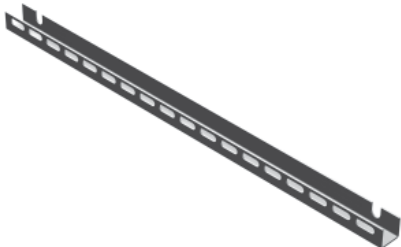
### Gas Filled Door Support

- Provide "lift assist" and door support for rear Turret/Data Terminal doors and Desk lids.
- Replace standard manual door supports.
- Finished in black.
- Sold individually.
- Recommend 1 for 24"/36" and 2 for 48"/60".

Part No. **2CDSTP**

### DIN Rail Support Kit

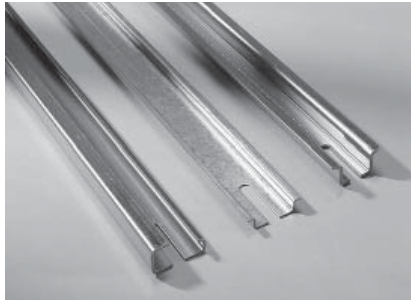
- Provide adjustable mounting support for DIN rails (sold separately.)
- For use in Bases only.
- Mount into "C" channels (not included)



Part No. **2CDMK**

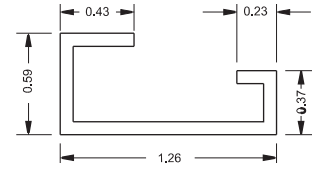


## Series 2000 Modular Console System - NEMA 12, 4, 4X Internal Accessories

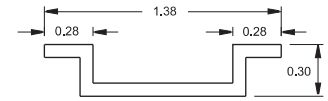
**Operator Interface Enclosure**


### DIN Rails

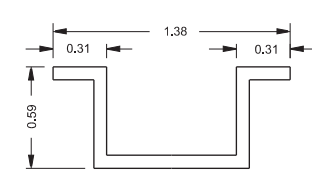
- Field installable.
- Includes a set of 3 plated rails.
- Available in 3 industry standard profiles - DIN 1, DIN 3, and CENELEC.
- DIN Rail Support Kit required...see page 227.
- Rails have a 0.28 x 1.25 oblong slot on each end.



### Asymmetric DIN 1 Pro



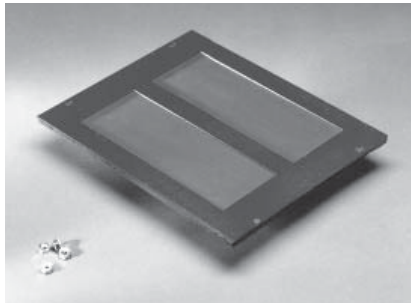
### Symmetric DIN 3 Pro



### CENELEC Pro

Asymmetric DIN1 Profile Part No.	Symmetric DIN 3 Profile Part No.	Cenelec Profile Part No.	Length
2D1K12	2D2K12	2DCK12	9.25
2D1K16	2D2K16	2DCK16	13.25
2D1K20	2D2K20	2DCK20	17.25
2D1K24	2D2K24	2DCK24	21.25
2D1K30	2D2K30	2DCK30	27.25

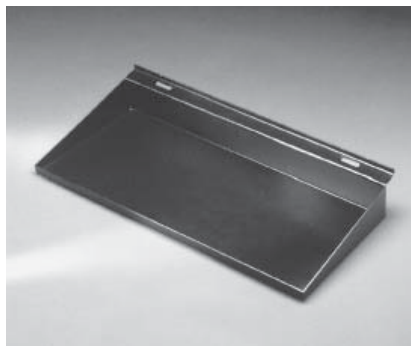
For sizing, refer to master selection table...see page 256.



### Micro Cell Cable Entry Kit

- For use in Single or Dual Access Bases.
- Constructed of 14 gauge steel.
- Features 2 cutouts for cable access.
- Underside of cutouts covered with black foam rubber, which when punctured for cable access, still maintains a virtually sealed bottom.
- Finished in textured black.

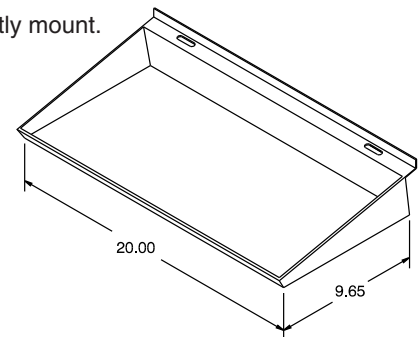
Part No. **2CMBPK**



### Mobile Keyboard Support

- Installs easily at any location along front of Desks or Consolet.
- Provides auxiliary or temporary keyboard support.
- 20" width accommodates standard width keyboards.
- Finished in textured black.
- Requires two drilled holes to permanently mount.

Part No. **2CMKS24**


**Modular Console System**