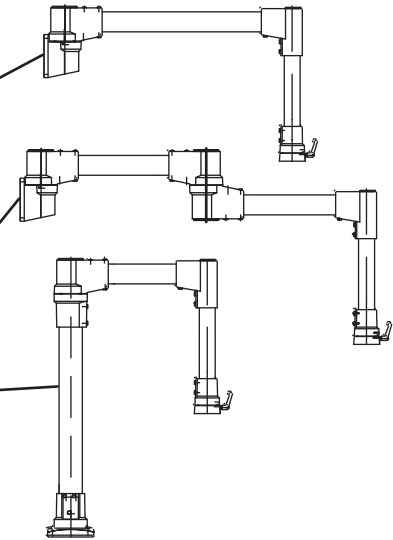
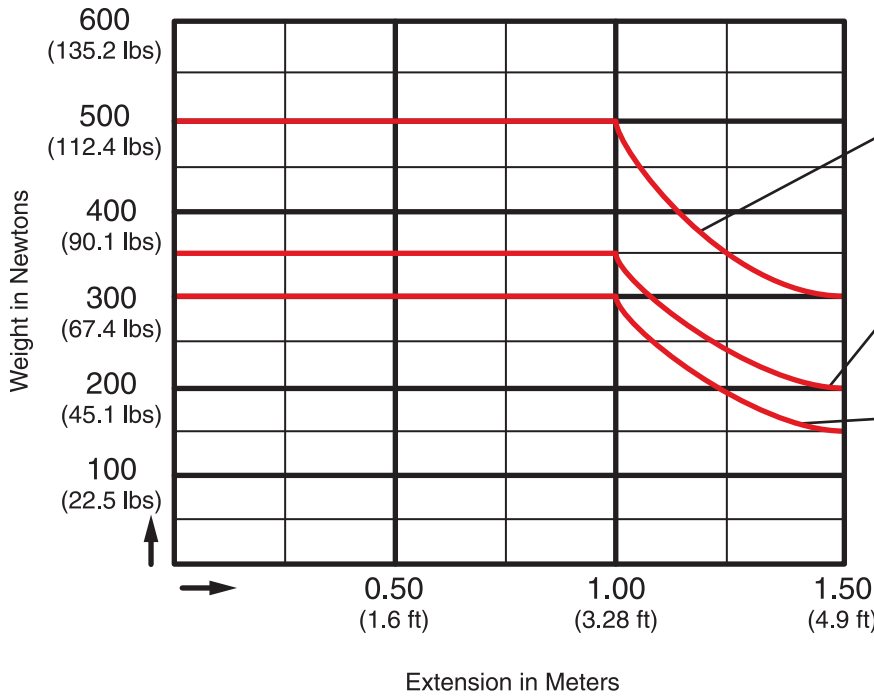


Suspension Systems - NEMA 12, 13

Tara Plus Suspension System

Operator Interface Enclosure



Measurement Conversions

1 kg = 9.81 N 1 lb = 4.44 N
 e.g. 500 Newtons = 51 kg = 112.4 lbs
 300 Newtons = 30.6 kg = 67.4 lbs
 100 Newtons = 10.2 kg = 22.5 lbs
 1 foot = 0.305 m

Suspension System

Application

- Taraplus enclosure suspension systems are designed for light and medium loads.
- The strength of tube and cast fittings provide a highly flexible robust system.

Construction

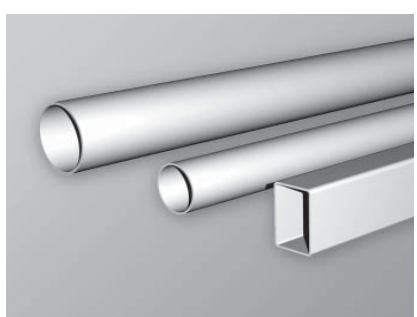
- Enclosure coupling and elbow coupling fittings are die-cast from G AL SI 12 aluminum.
- Suspension tubing is steel.

Finish

- Fittings are finished in RAL 7040 window gray.
- Suspension tubing is RAL 7035 light gray.

Standards

- Complies with
 - IEC 60529 IP54



Suspension Tube

Part No.	Outside mm	Inside mm	Tolerance	Length		Ship Wt. lbs
				Metres	Feet	
Round Tubes						
R144-301-000	48	42	±0.25	1	3.28	10
R144-321-000	70	62	±0.25	1	3.28	25
R144-321-500	70	62	±0.25	1.5	4.92	38
Rectangular Tubes						
R144-311-000	60 x 40	54 x 34	±0.50	1	3.28	13
R144-311-500	60 x 40	54 x 34	±0.50	1.5	4.92	26

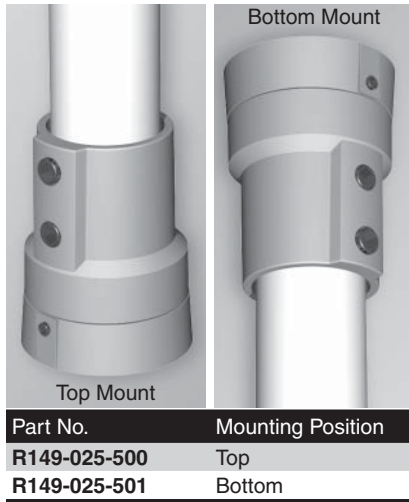
Technical references and CAD downloads available at www.hammondmfg.com

All dimensions in inches unless specified otherwise

Suspension Systems - NEMA 12, 13

Tara Plus Suspension System

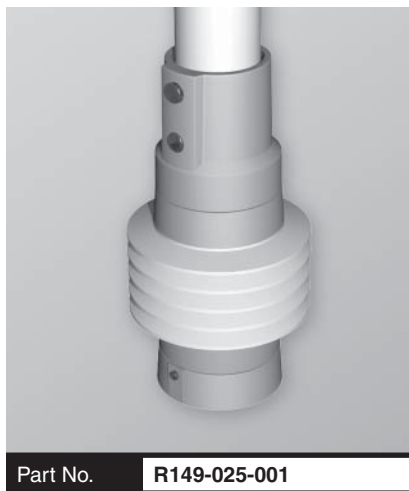
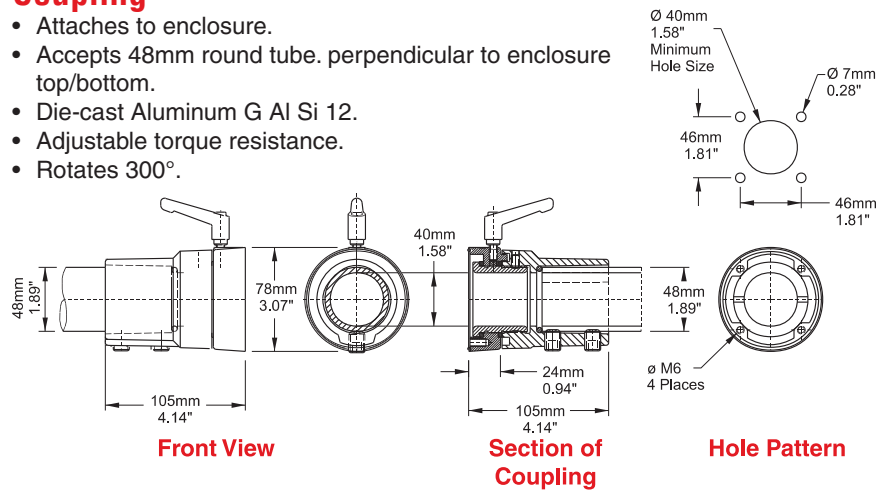
Operator Interface Enclosure



Part No.	Mounting Position
R149-025-500	Top
R149-025-501	Bottom

Coupling

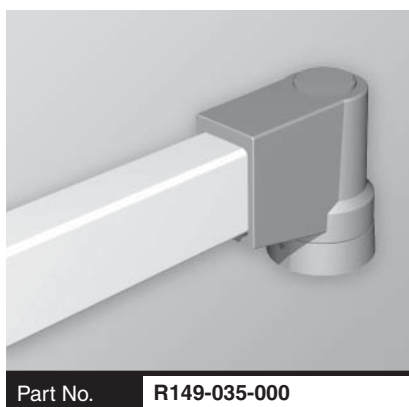
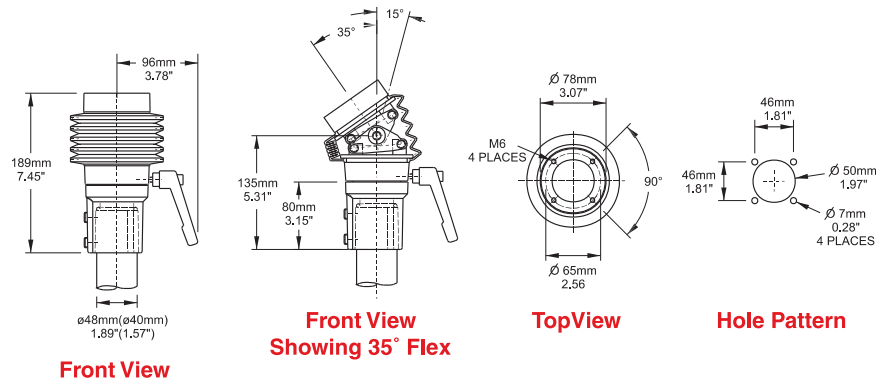
- Attaches to enclosure.
- Accepts 48mm round tube, perpendicular to enclosure top/bottom.
- Die-cast Aluminum G Al Si 12.
- Adjustable torque resistance.
- Rotates 300°.



Part No.	R149-025-001
----------	--------------

Tilt Coupling

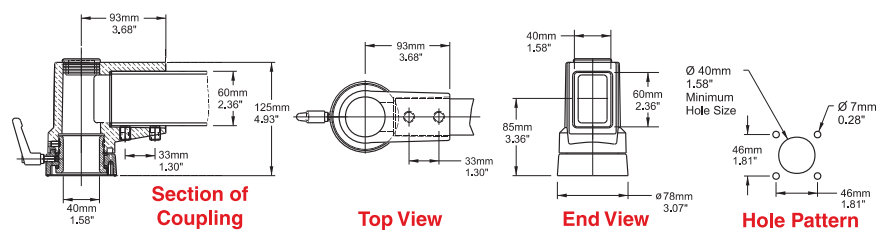
- Attaches to enclosure.
- Accepts 48mm round tube perpendicular to enclosure top/bottom.
- Die-cast Aluminum G Al Si 12.
- Rotates 300°.
- Features an adjustable tilt mechanism up to 35°.



Part No.	R149-035-000
----------	--------------

Elbow Coupling

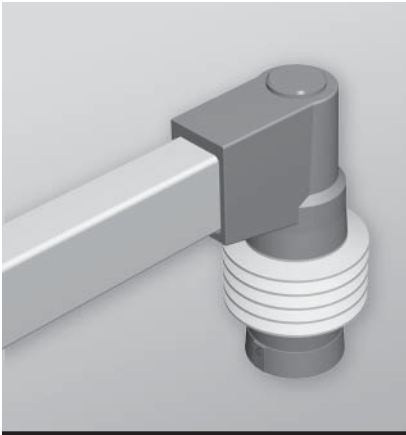
- Attaches to enclosure.
- Accepts 60x40mm rectangular tube parallel to enclosure top/bottom.
- Die-cast Aluminum G Al Si 12.
- Adjustable torque resistance.
- Rotates 300°.
- Accessible from the top.



Suspension System

Suspension Systems - NEMA 12, 13

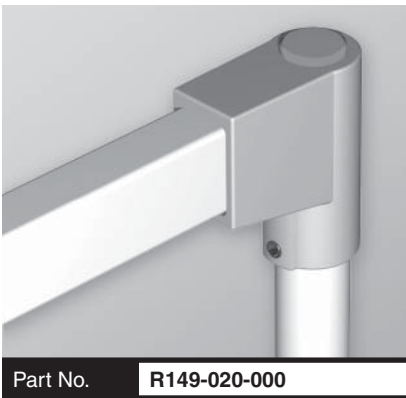
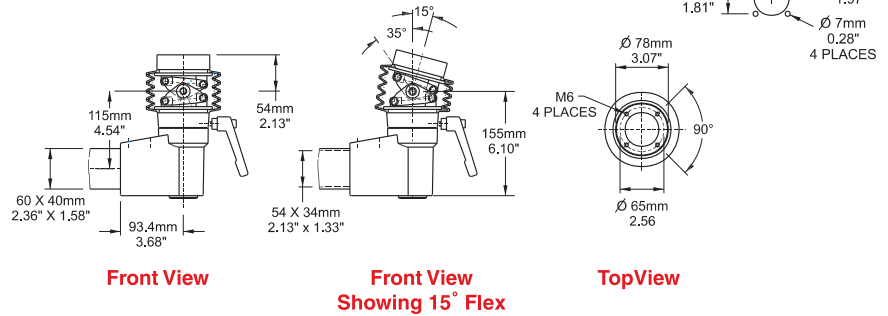
Tara Plus Suspension System



Part No. **R149-035-001**

Tilt Elbow Coupling

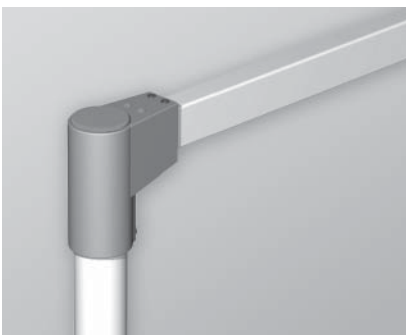
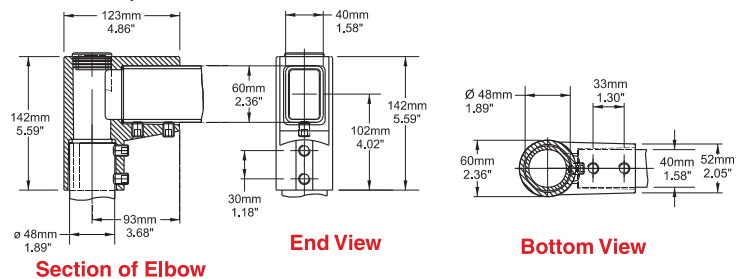
- Attaches to enclosure.
- Accepts 60x40mm rectangular tube parallel to enclosure top/bottom.
- Die-cast Aluminum G Al Si 12.
- Rotates 300°.
- Features an adjustable tilt mechanism up to 35°.



Part No. **R149-020-000**

Fixed Elbow 48

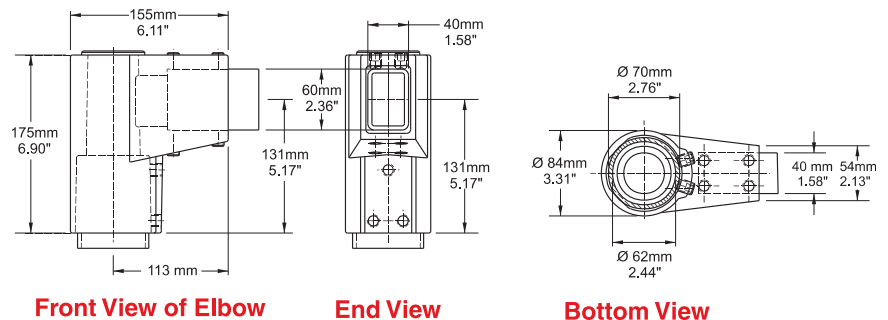
- For use with 48mm round tube and 60x40mm rectangular tube.
- Vertical 48mm tube connection for use with Couplings only (not Base 48).
- Die-cast Aluminum G Al Si 12.
- Large cover opening for easier cable pull through.
- No rotation.
- Accessible from the top.



Part No. **R149-020-001**

Fixed Elbow 70

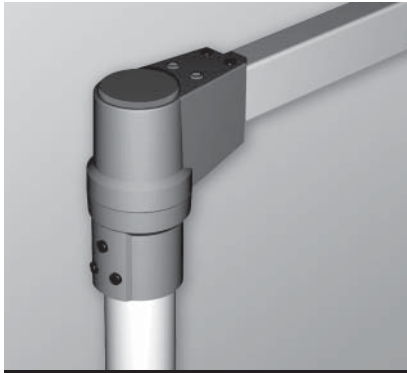
- For use with 70mm round tube and 60x40mm rectangular tube.
- Die-cast Aluminum G Al Si 12.
- No rotation.
- Accessible from the top.



Suspension Systems - NEMA 12, 13

Tara Plus Suspension System

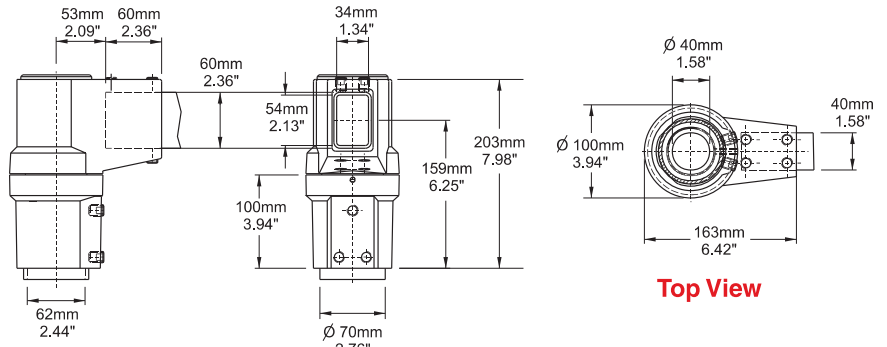
Operator Interface Enclosure



Part No. **R149-040-000**

Rotating Elbow

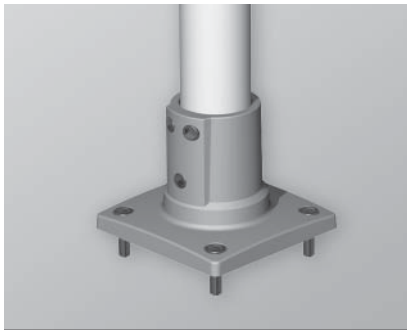
- For use with 70mm round tube and 60x40mm rectangular tube.
- Die-cast Aluminum G Al Si 12.
- Rotates 300°.
- Accessible from the top.



Front View

End View

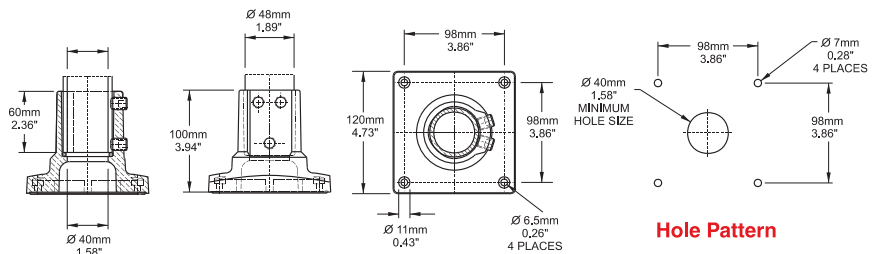
Top View



Part No. **R149-030-000**

Base 48

- For use with 48mm round tube.
- Not for use with any horizontal configurations.
- Compatible with tube up or tube down configurations.
- Die-cast Aluminum G Al Si 12.
- No rotation.

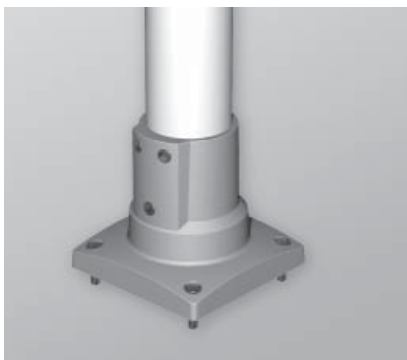


Front Section of Base

End View

Top View

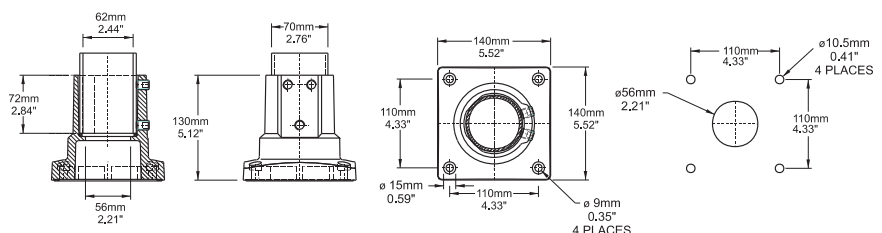
Hole Pattern



Part No. **R149-030-001**

Base 70

- For use with 70 mm tube.
- Compatible with all vertical and horizontal configurations.
- Compatible with tube up or tube down configurations.
- Die-cast Aluminum G Al Si 12.
- No rotation.



Front Section of Base

End View

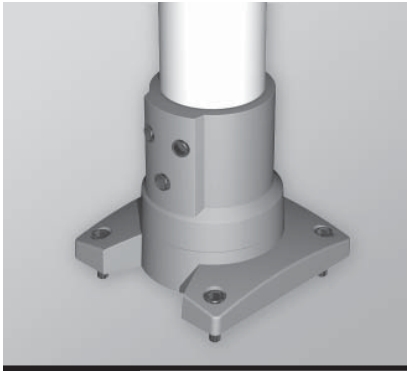
Top View

Hole Pattern

Suspension System

Suspension Systems - NEMA 12, 13

Tara Plus Suspension System

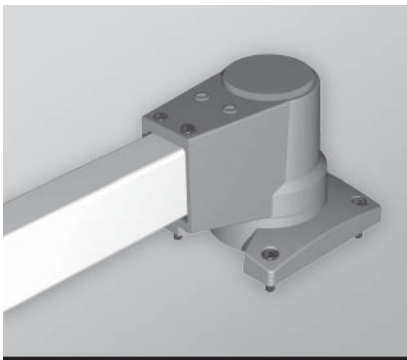
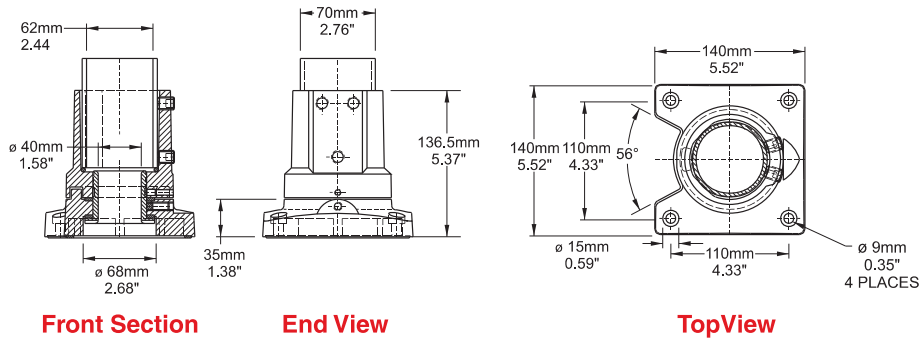
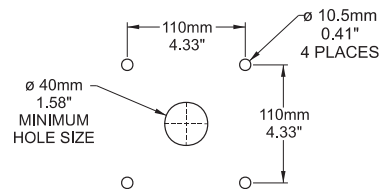


Part No. **R149-005-001**

Rotating Base 70

- For use with 70 mm tube.
- Compatible with all vertical and horizontal configurations.
- Compatible with tube up or tube down configurations.
- Die-cast Aluminum G Al Si 12.
- Rotates 300°.
- Integrated movement stop.
- Service free bearings.

Hole Pattern

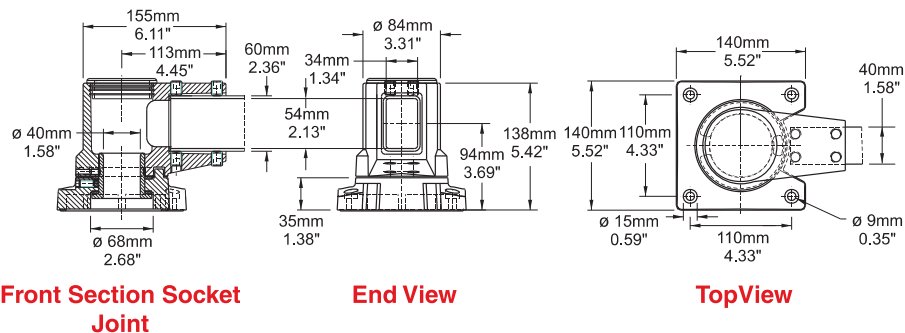
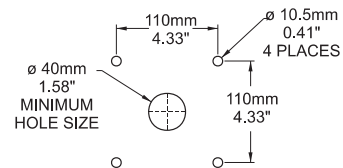


Part No. **R149-005-000**

Socket Joint

- Accepts 60x40mm rectangular tube parallel to its mounting surface.
- Die-cast Aluminum G Al Si 12.
- Integrated movement stop.
- Service free bearings.
- Rotates 300°.
- Adjustment screws (red screws).
- Accessible from the top.

Hole Pattern

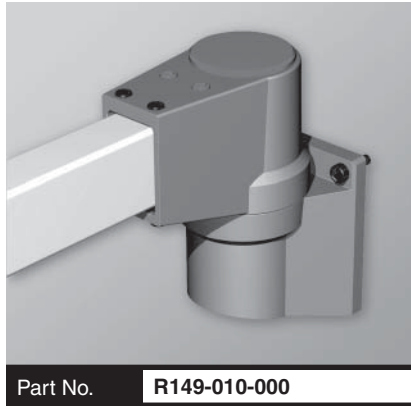


Technical references and CAD downloads available at www.hammondmfg.com

All dimensions in inches unless specified otherwise

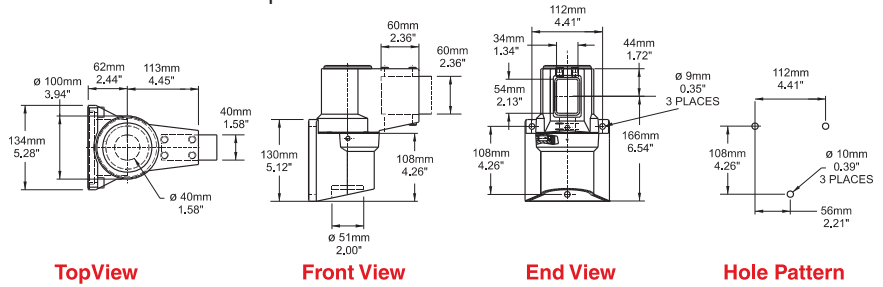
Suspension Systems - NEMA 12, 13

Tara Plus Suspension System

Operator Interface Enclosure

Part No. R149-010-000

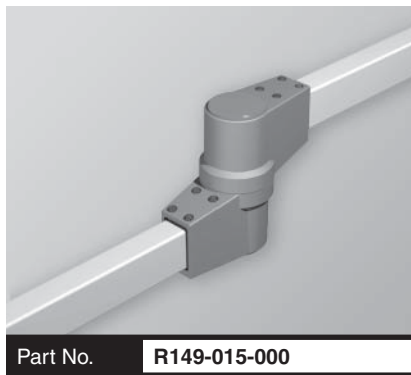
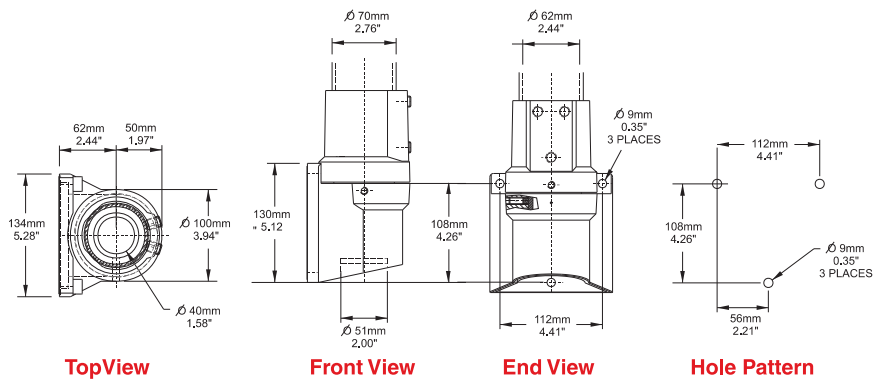
Wall Joint

- Accepts 60x40mm rectangular tube perpendicular to its mounting surface.
- Die-cast Aluminum G Al Si 12.
- Rotates 186°.
- Accessible from the top.


Part No. R149-010-001

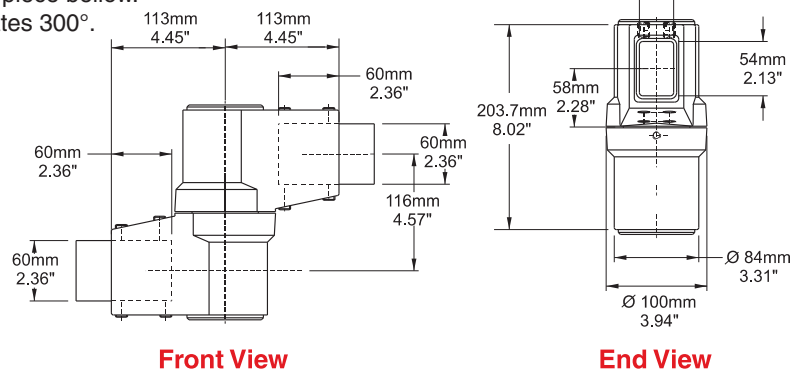
Vertical Wall Joint

- Accepts 70mm tube parallel to its mounting surface.
- Die-cast Aluminum G Al Si 12.
- Rotates 316°.


Part No. R149-015-000

Intermediate Joint

- Accepts 60x40mm rectangular tube.
- Die-cast Aluminum G Al Si 12.
- Integrated movement stop.
- One piece bellow.
- Rotates 300°.


Suspension System

 Technical references and CAD downloads available at www.hammondmfg.com

All dimensions in inches unless specified otherwise

Quality Products. Service Excellence.