



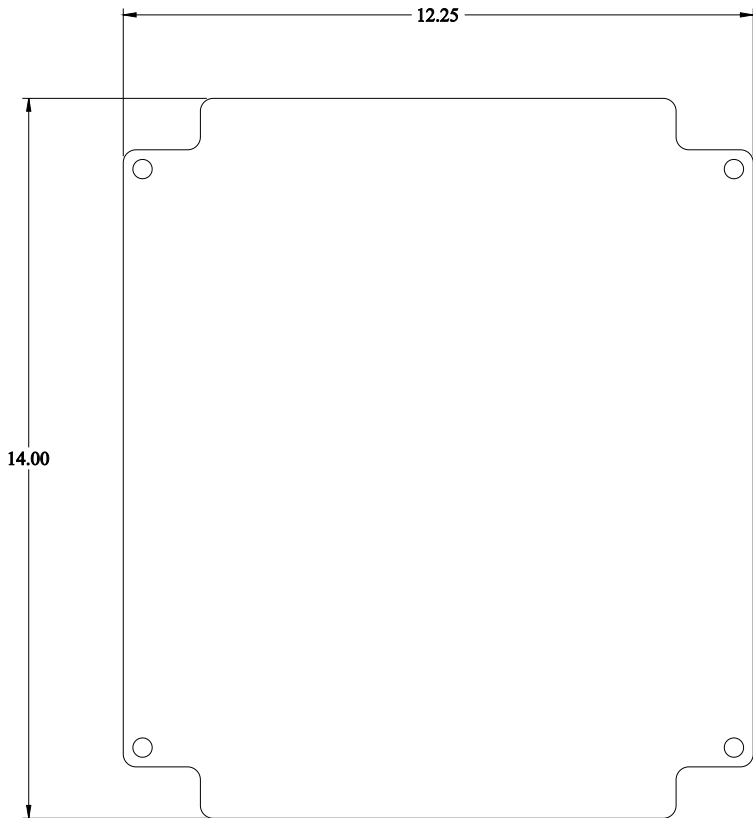
**PART No. ECPP1616**



**Data subject to change without notice**

**Isometric drawing Not to Scale**

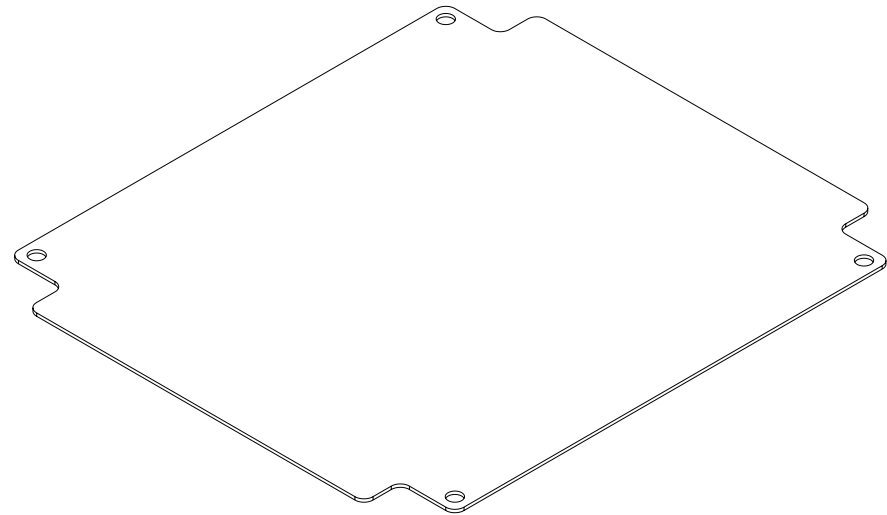
Gross Automation (877) 268-3700 · [www.hammondenclosuresales.com](http://www.hammondenclosuresales.com) · [sales@grossautomation.com](mailto:sales@grossautomation.com)



**FRONT VIEW**



**SIDE VIEW**



**ISOMETRIC VIEW**