



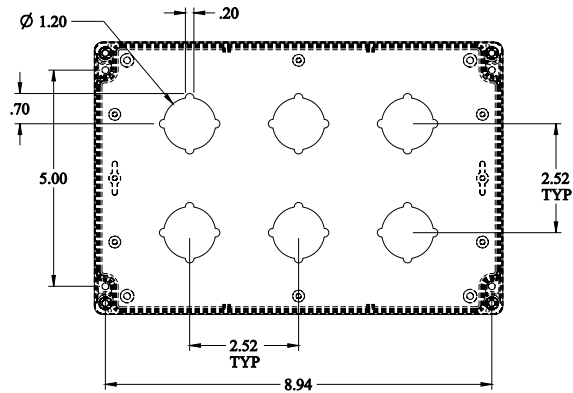
PART No. 1554PB6



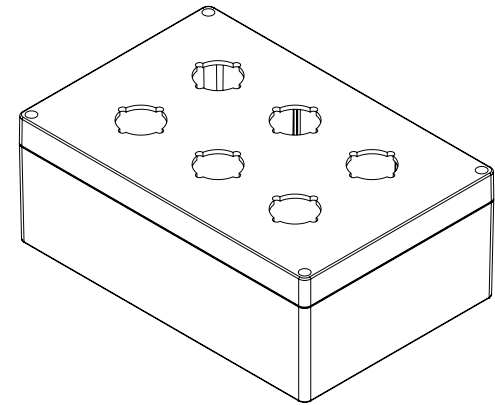
Data subject to change without notice

Isometric drawing Not to Scale

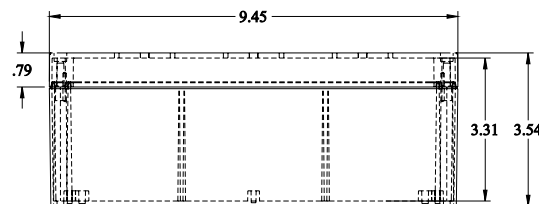
Gross Automation (877) 268-3700 · www.hammondenclosuresales.com · sales@grossautomation.com



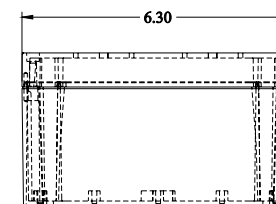
TOP VIEW



ISOMETRIC VIEW



FRONT VIEW



RIGHT SIDE