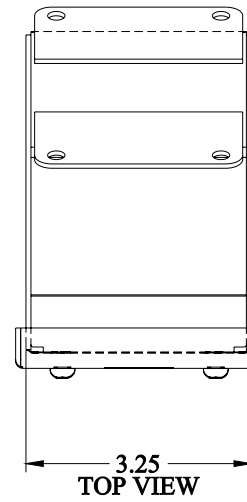


**PART No. 1490MD1**

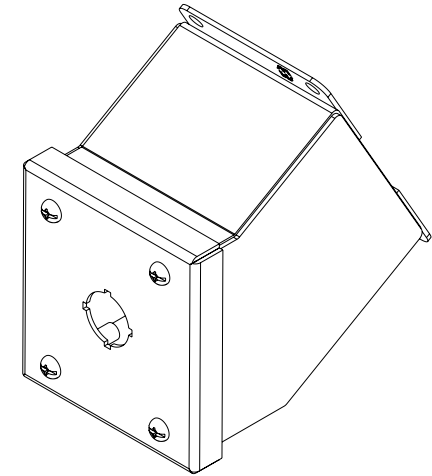
Data subject to change without notice

Isometric drawing Not to Scale

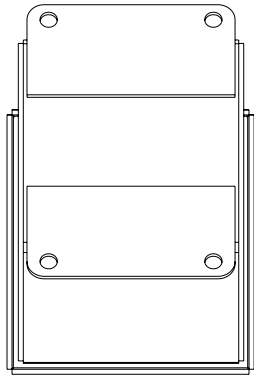
Gross Automation (877) 268-3700 · [www.hammondenclosuresales.com](http://www.hammondenclosuresales.com) · [sales@grossautomation.com](mailto:sales@grossautomation.com)



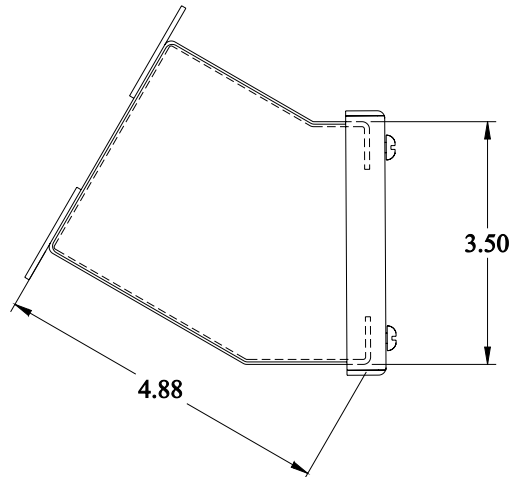
**3.25**  
**TOP VIEW**



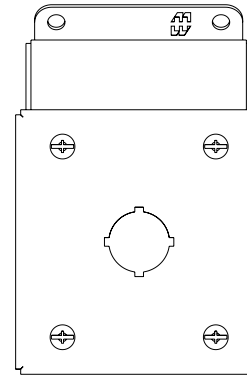
**ISOMETRIC VIEW**



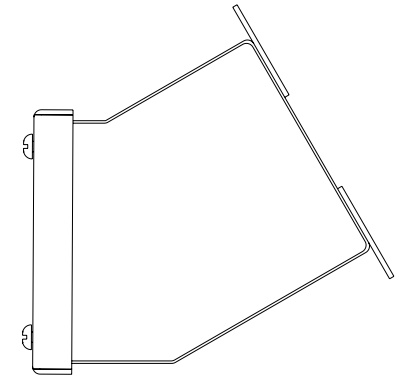
**BACK VIEW**



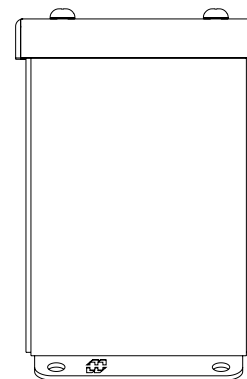
**4.88**  
**3.50**  
**LEFT SIDE VIEW**



**FRONT VIEW**



**RIGHT SIDE VIEW**



**BOTTOM VIEW**