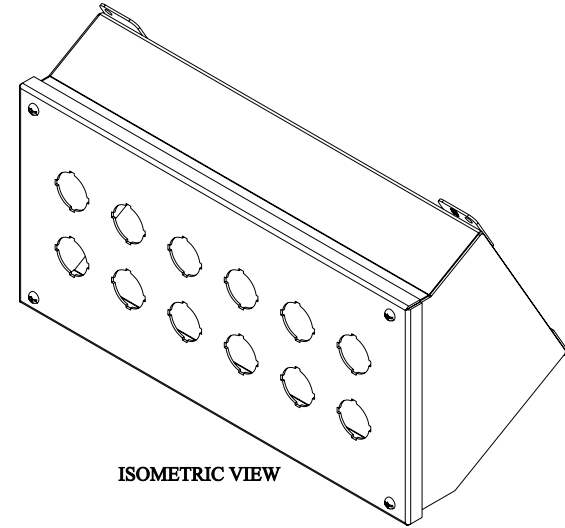
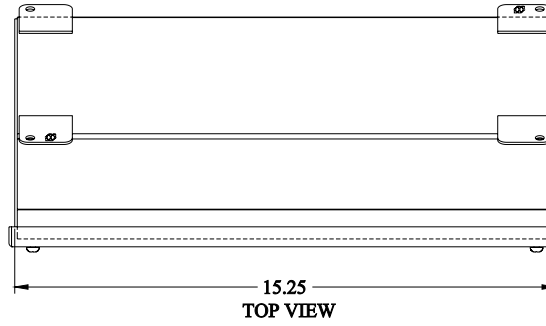
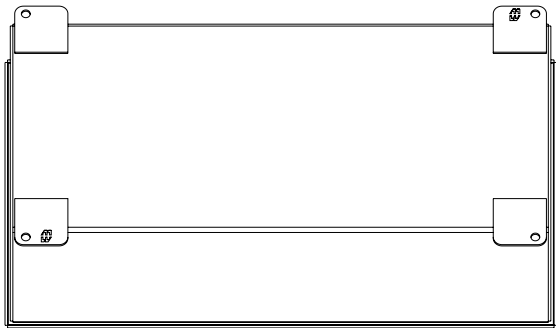


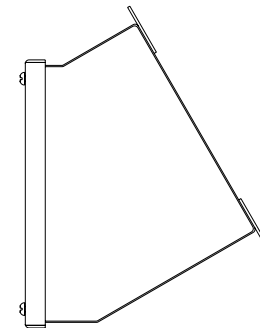
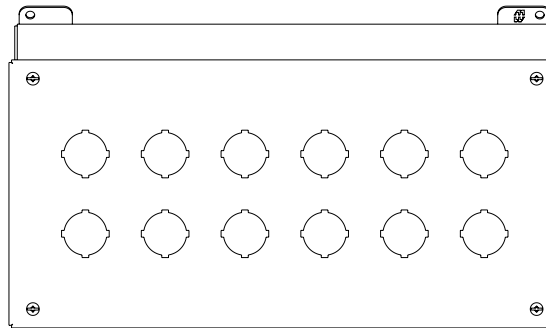
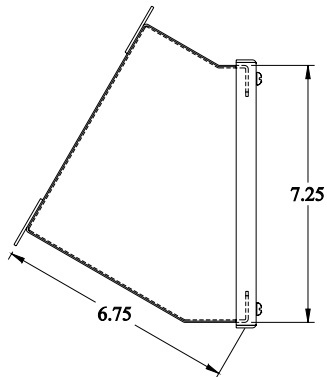
PART No. 1490G12
 Data subject to change without notice
 Isometric drawing Not to Scale



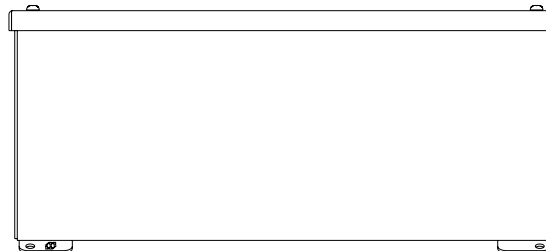
Gross Automation (877) 268-3700 · www.hammondenclosuresales.com · sales@grossautomation.com



BACK VIEW



RIGHT SIDE VIEW



BOTTOM VIEW