

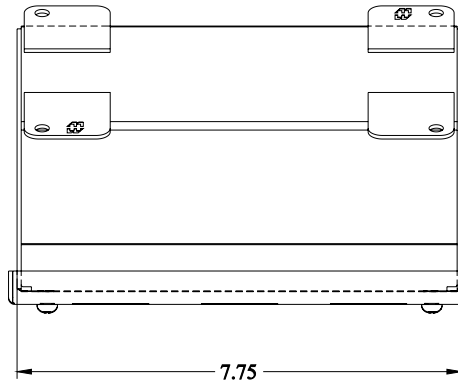


PART No. 1490D3

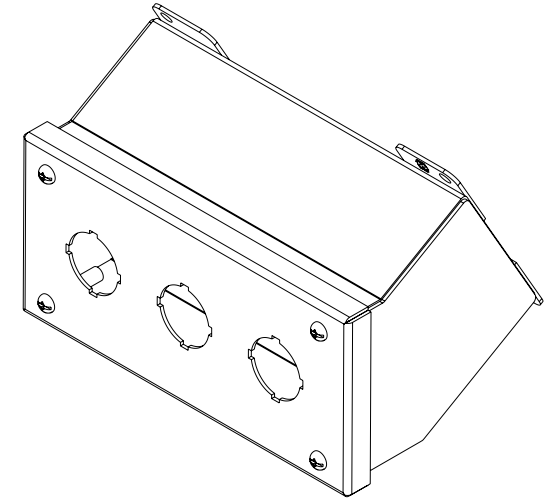
Data subject to change without notice

Isometric drawing Not to Scale

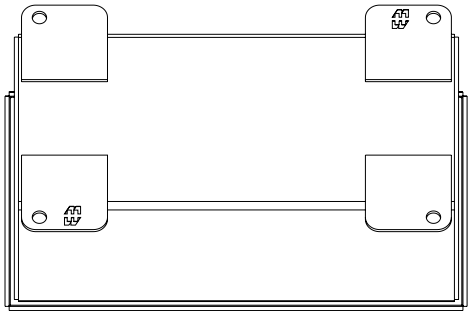
Gross Automation (877) 268-3700 · www.hammondenclosuresales.com · sales@grossautomation.com



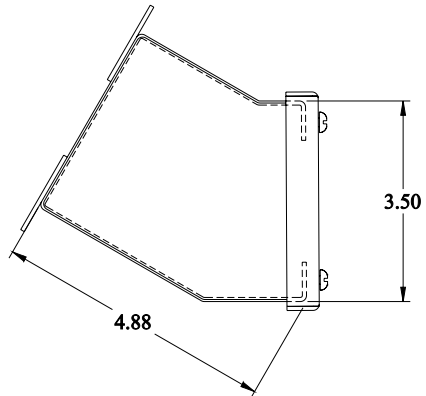
7.75
TOP VIEW



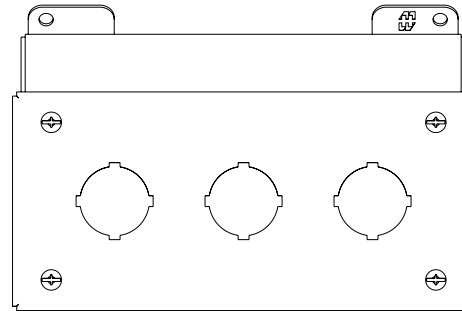
ISOMETRIC VIEW



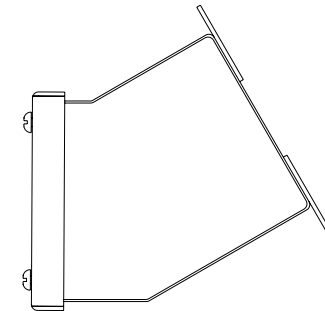
BACK VIEW



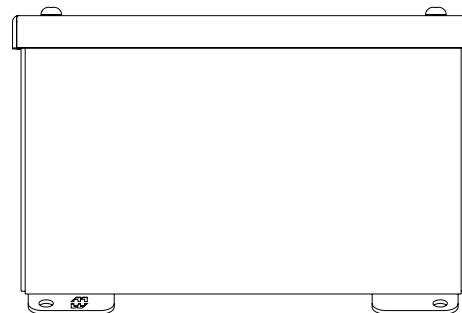
4.88
3.50
LEFT SIDE VIEW



FRONT VIEW



RIGHT SIDE VIEW



BOTTOM VIEW