

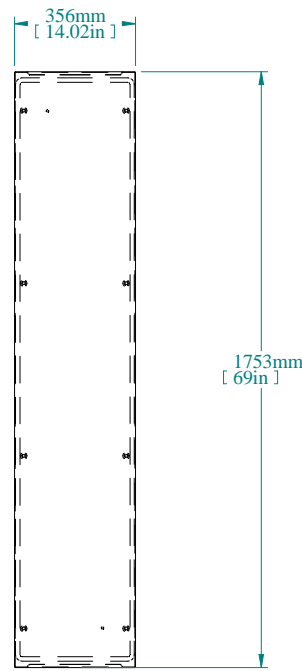
REAR VIEW



L.S' VIEW



TOP VIEW



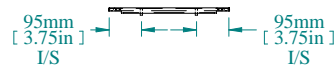
FRONT VIEW



R.S VIEW



ISOMETRIC VIEW



BOTTOM VIEW

PART NUMBERS	
HSP184	PAINTED TEXTURED GRAY RAL 7035

NOTES
Welded Assembly See Hammond Website for Additional Accessories

Data subject to change without notice. Isometric drawing not to scale.

**HAMMOND
MANUFACTURING™**

www.hammondmfg.com

PART NO. HSP184