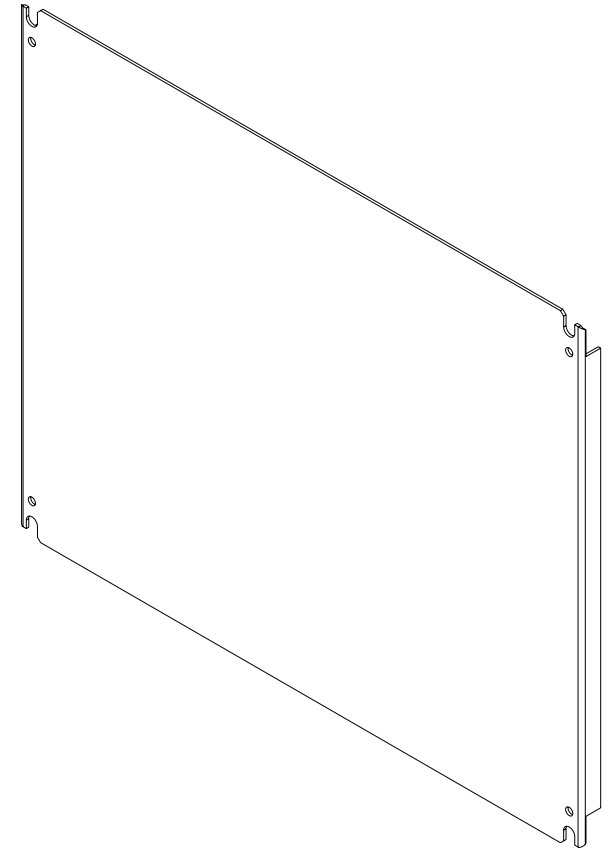


**PART No. EP2024**

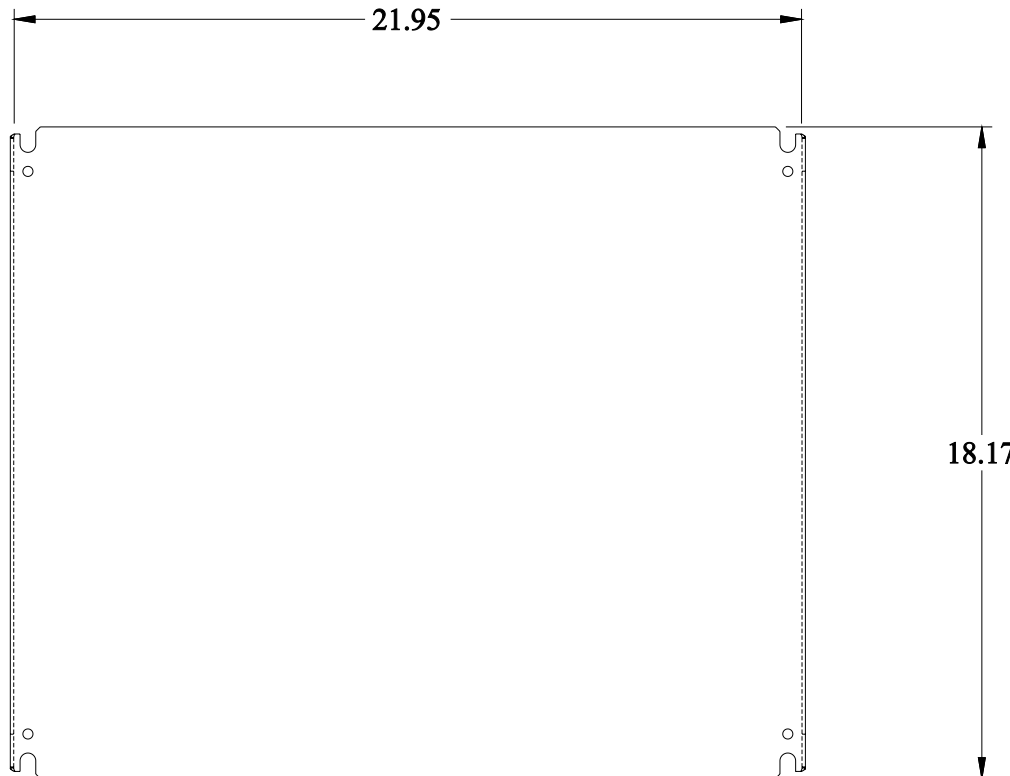
Data subject to change without notice

Isometric drawing Not to Scale

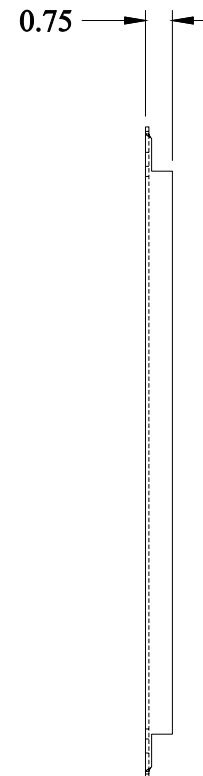
Gross Automation (877) 268-3700 · [www.hammondenclosuresales.com](http://www.hammondenclosuresales.com) · [sales@grossautomation.com](mailto:sales@grossautomation.com)



**ISOMETRIC VIEW**



**FRONT VIEW**



**SIDE VIEW**