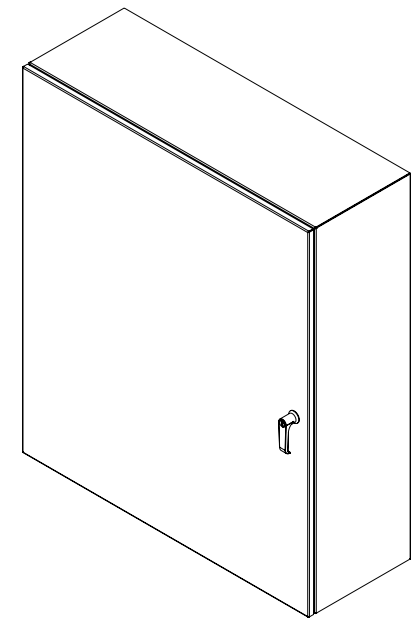


**PART No. EN4SD423612LG**

Data subject to change without notice  
Isometric drawing Not to Scale

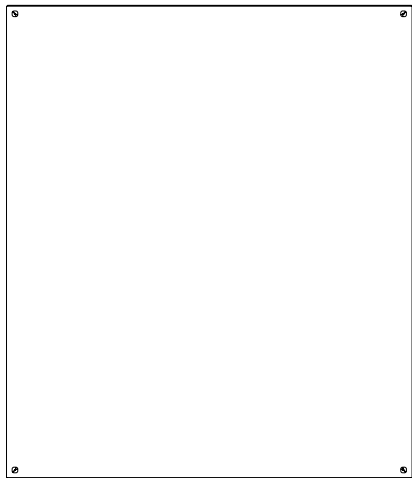


TOP VIEW

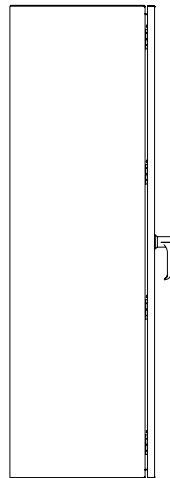


ISOMETRIC VIEW

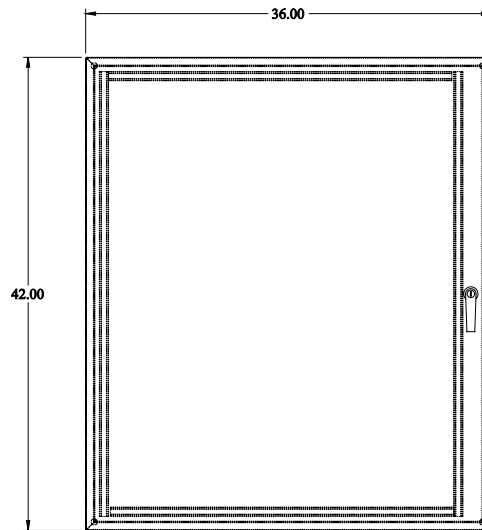
Gross Automation (877) 268-3700 · [www.hammondenclosuresales.com](http://www.hammondenclosuresales.com) · [sales@grossautomation.com](mailto:sales@grossautomation.com)



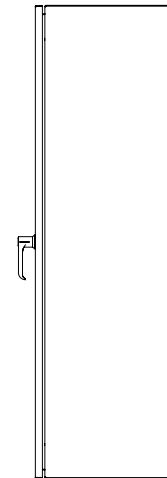
BACK VIEW



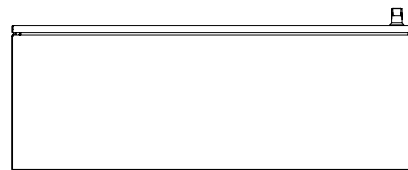
LEFT SIDE VIEW



FRONT VIEW



RIGHT SIDE VIEW



BOTTOM VIEW