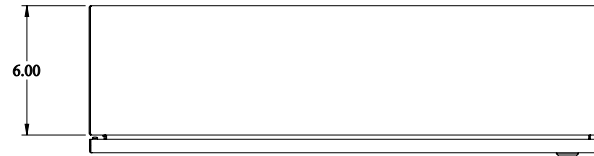


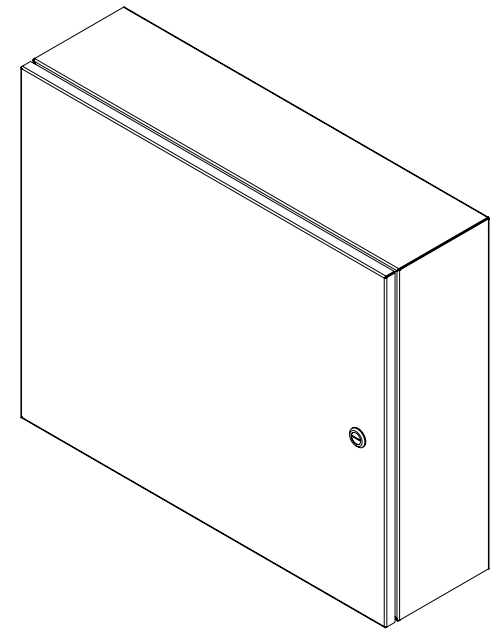
**PART No. EN4SD20246GY**

Data subject to change without notice

Isometric drawing Not to Scale



**TOP VIEW**

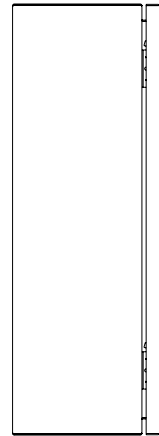


**ISOMETRIC VIEW**

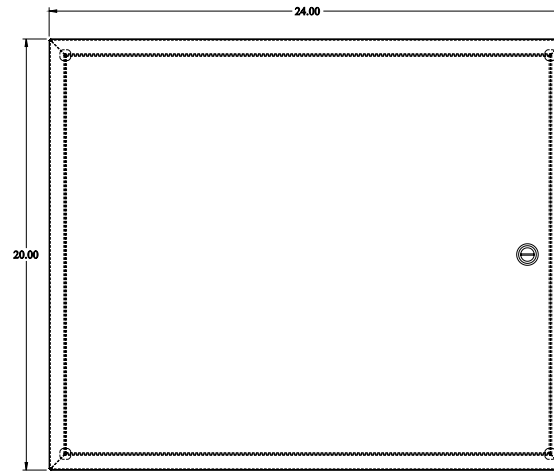
Gross Automation (877) 268-3700 · [www.hammondenclosuresales.com](http://www.hammondenclosuresales.com) · [sales@grossautomation.com](mailto:sales@grossautomation.com)



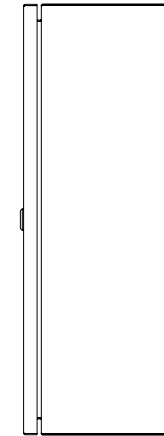
**BACK VIEW**



**LEFT SIDE VIEW**



**FRONT VIEW**



**RIGHT SIDE VIEW**



**BOTTOM VIEW**