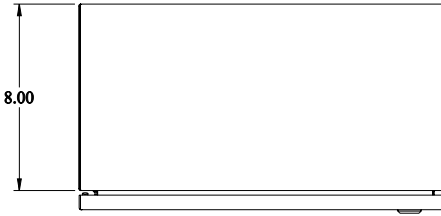


**PART No. EN4SD16168LG**

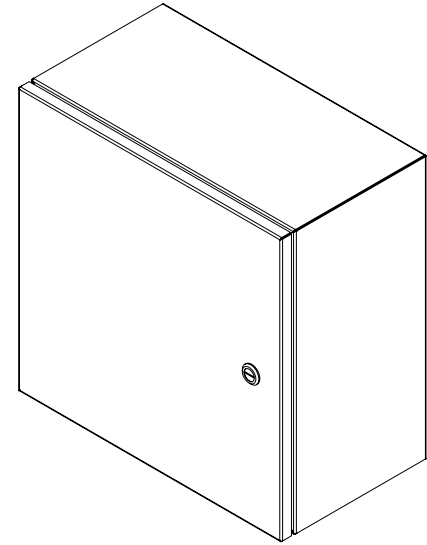
Data subject to change without notice

Isometric drawing Not to Scale

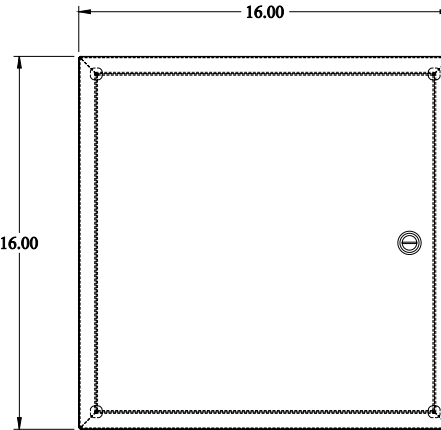
Gross Automation (877) 268-3700 · www.hammondenclosuresales.com · sales@grossautomation.com



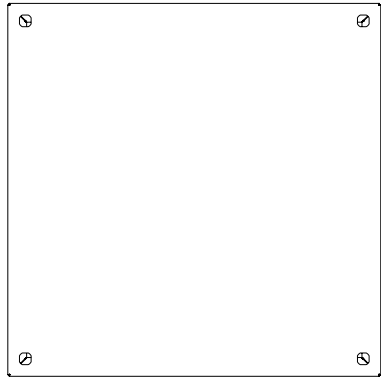
**TOP VIEW**



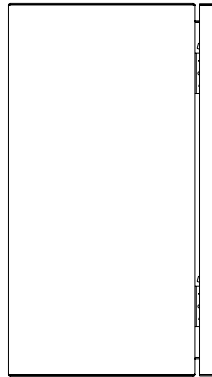
**ISOMETRIC VIEW**



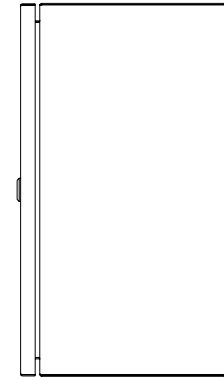
**FRONT VIEW**



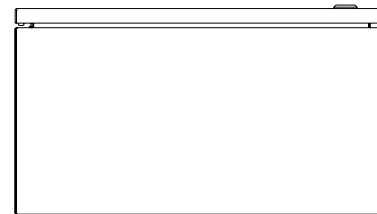
**BACK VIEW**



**LEFT SIDE VIEW**



**RIGHT SIDE VIEW**



**BOTTOM VIEW**