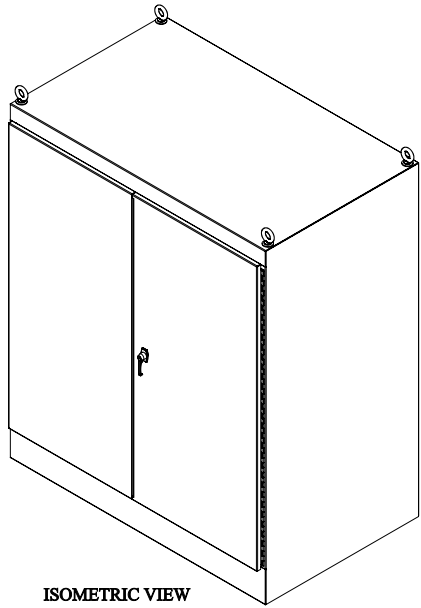
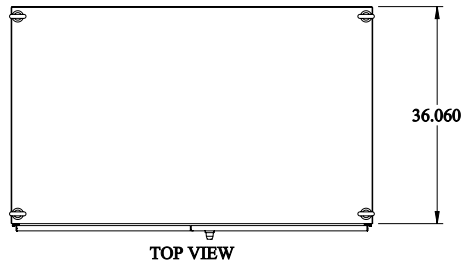


PART No. 1418ZX36

Data subject to change without notice
Isometric drawing Not to Scale



Gross Automation (877) 268-3700 · www.hammondenclosuresales.com · sales@grossautomation.com

