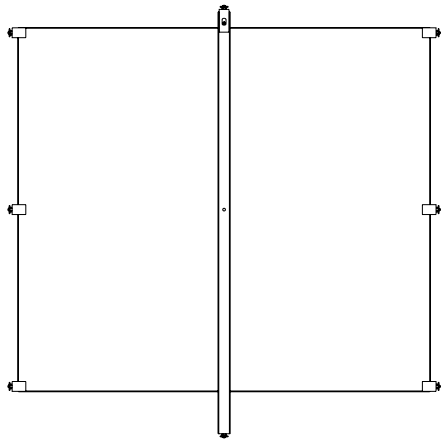
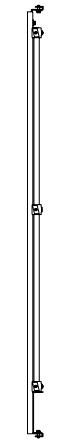


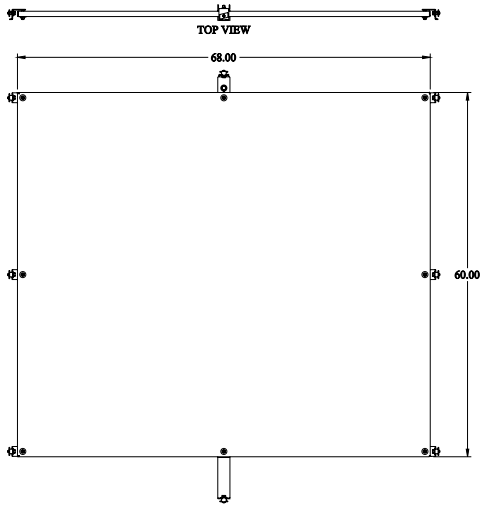
**HW** PART No. 72ZYFW  
By Hamm International Ltd  
www.hammfg.com  
Data subject to change without notice  
Isometric drawing Not to Scale



REAR VIEW



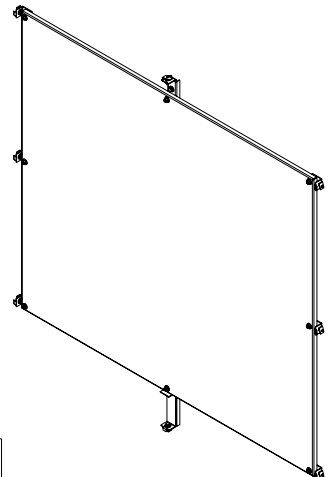
SIDE VIEW



FRONT VIEW



BOTTOM VIEW



ISOMETRIC VIEW