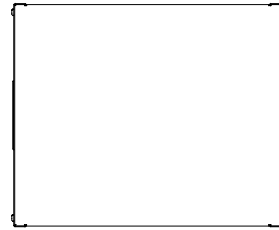
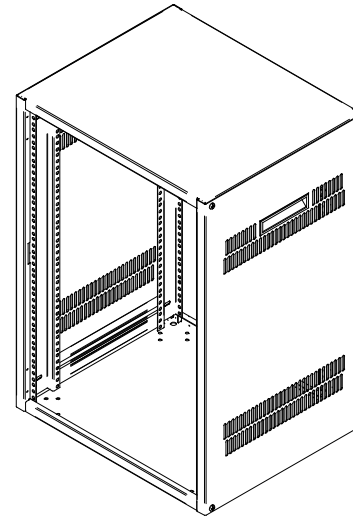




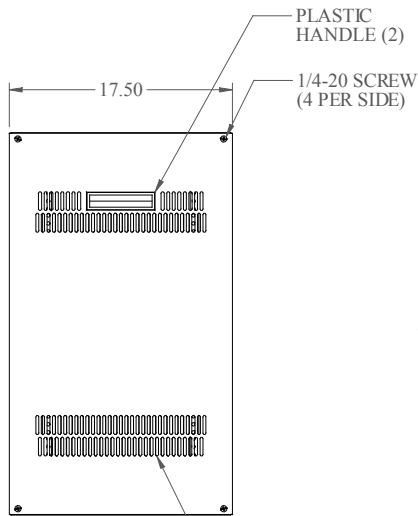
PART No. RCHV1902817

for more information visit
www.hammfg.com

Data subject to change without notice.
Isometric drawing not to scale.
Shipped knockdown for handling ease
& protection.

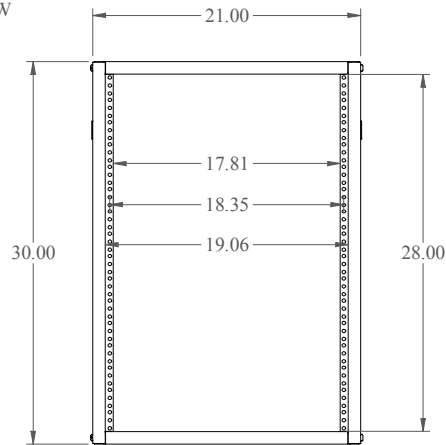


TOP VIEW

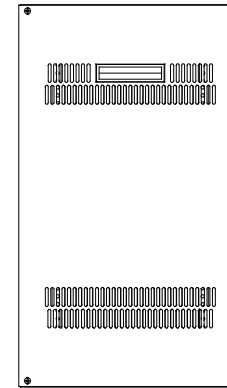


L.S. VIEW

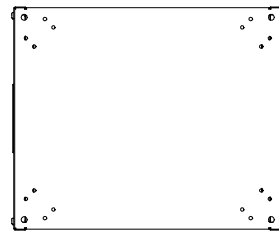
VENTILATION
SLOTS



FRONT VIEW



R.S. VIEW



BOTTOM VIEW