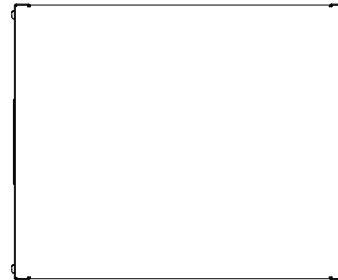


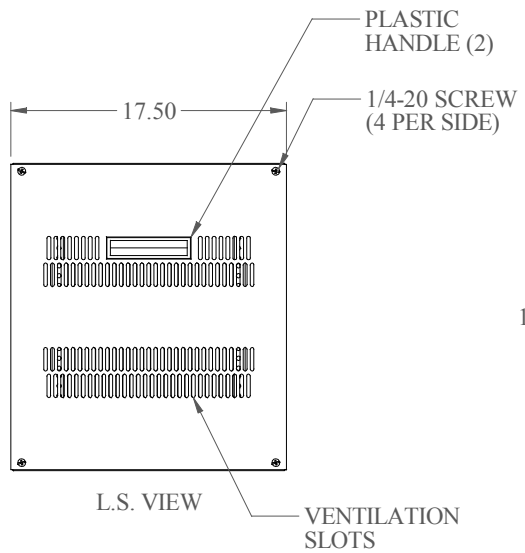
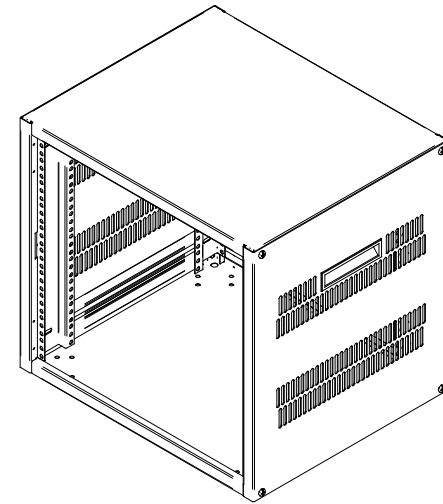
PART No. RCHV1901717

for more information visit
www.hammfg.com

Data subject to change without notice.
Isometric drawing not to scale.
Shipped knockdown for handling ease
& protection.



TOP VIEW

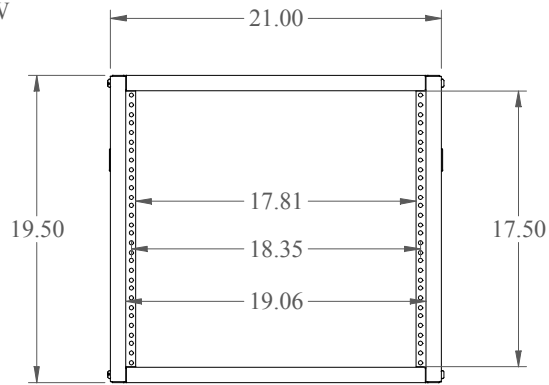


L.S. VIEW

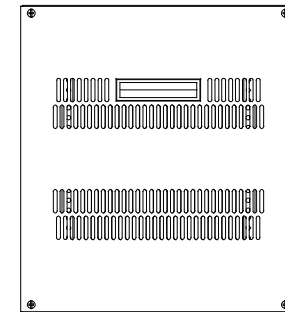
PLASTIC HANDLE (2)

1/4-20 SCREW (4 PER SIDE)

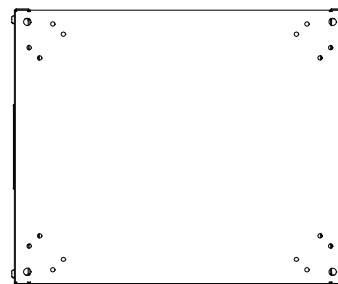
VENTILATION SLOTS



FRONT VIEW



R.S. VIEW



BOTTOM VIEW