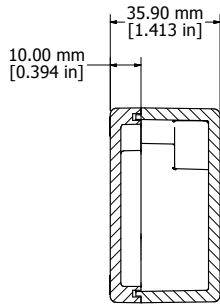
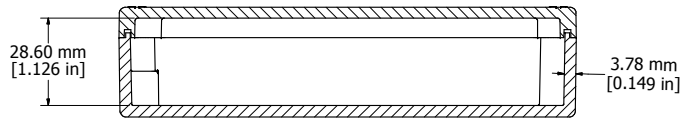
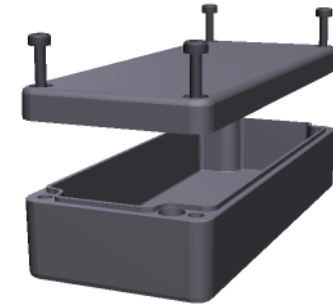


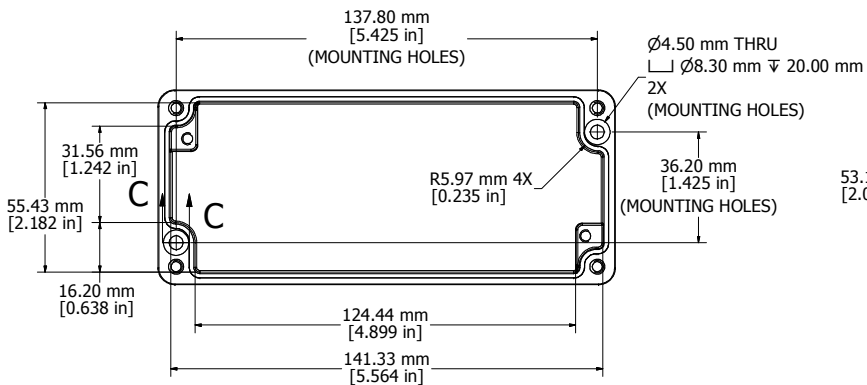
ASSEMBLY



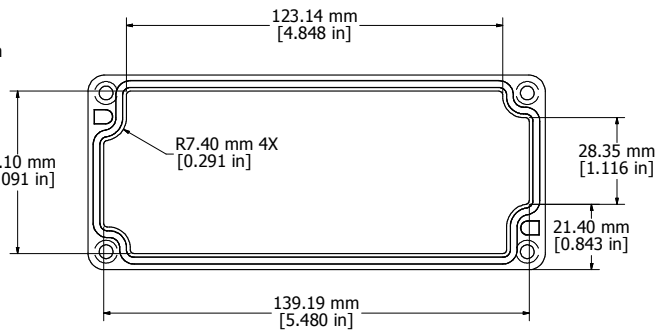
SECTION A-A



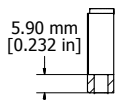
SECTION B-B



BOX - INSIDE



LID - INSIDE



SECTION C-C



File #E65324
NEMA 4, 4X

Enclosures can be Factory Modified (Milling, Drilling, Printing etc.)
Contact Factory - mjm@hammondmfg.com for quotes
Solid models of this enclosure available in STEP or IGES.

NOTES

- Purchased assembly includes enclosure, M4x20 lid screws and M4x6 ground screws.
- Gasket - Preformed Silicone Rubber
- Cover screws should be torqued to 5-7.5 lbf.in (50-75 cN.m)

1590Z063

PART NUMBERS

Basic Enclosure	1590Z063
Black Enclosure	1590Z063BK
Grey Enclosure - RAL7001 Gloss	1590Z063GY

