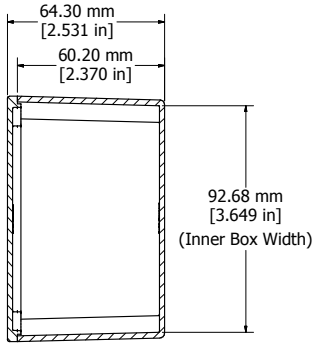
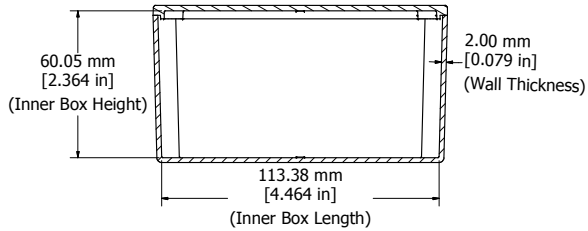


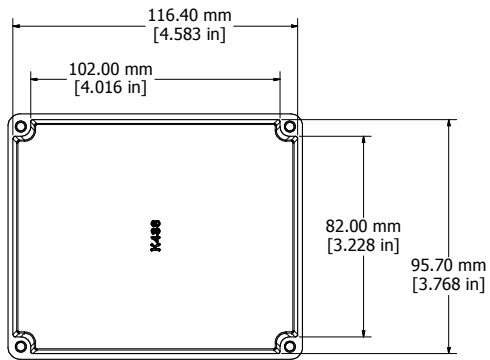
ASSEMBLY



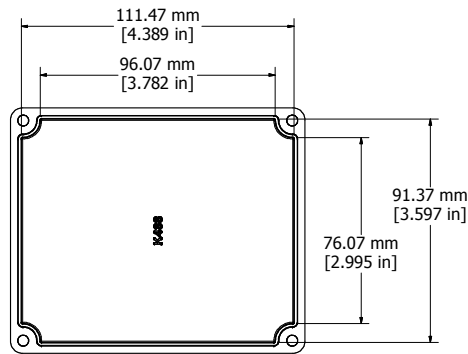
SECTION A-A
END VIEW OF ASSEMBLY



SECTION B-B
SIDE VIEW OF ASSEMBLY



BOX - INSIDE VIEW



LID - INSIDE VIEW



Enclosures can be Factory Modified (Milling, Drilling, Printing etc.)
Contact Factory mjm@hammondmfg.com for quotes
Solid models of this enclosure available in STEP or IGES.

NOTE	
Purchased assembly includes box, lid and 4 cover screws. Box and lid are made from Diecast Aluminum Alloy.	

PART NUMBERS	
1590CE Enclosure	
Unfinished	1590CE
Grey Textured Polyester Powder Paint - RAL 7038	1590CEGY
Black Textured Polyester Powder Paint	1590CEBK
1590WCE Liquid Resistant Enclosure (Preform Silicon Gasket)	
Unfinished	1590WCE
Black Textured Polyester Powder Paint	1590WCEBK

