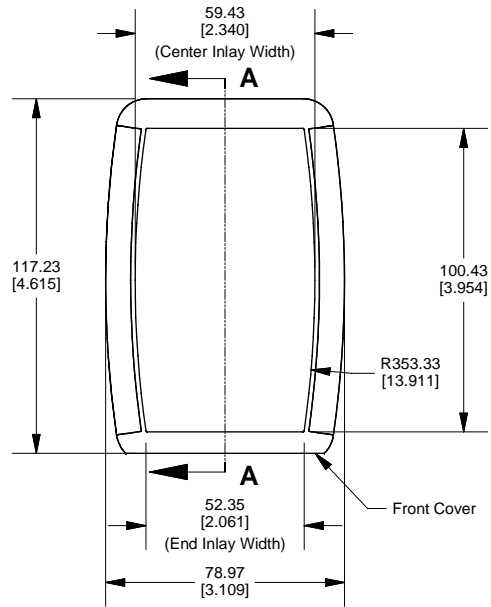
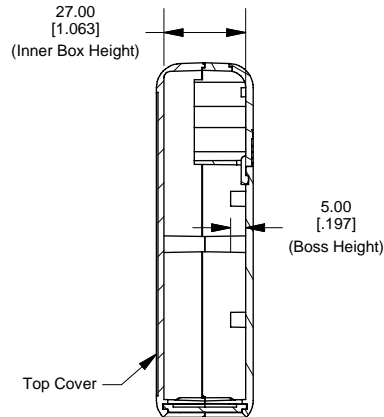


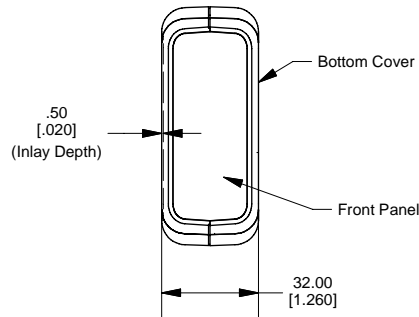
Top View of Assembly



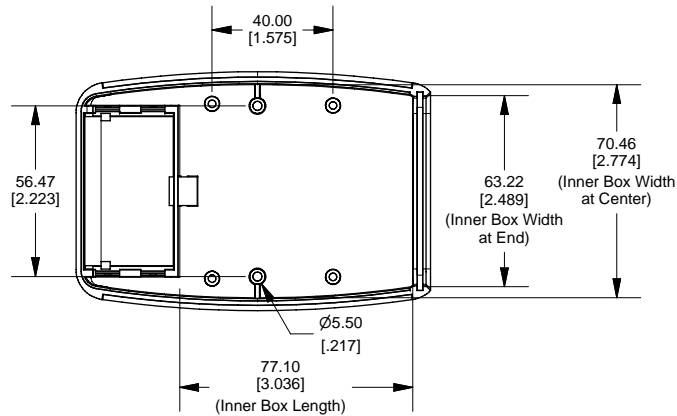
**SECTION A-A
(Side View Inside Assembly)**



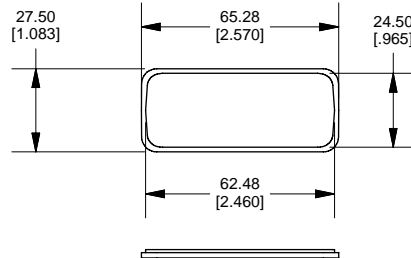
End View of Assembly



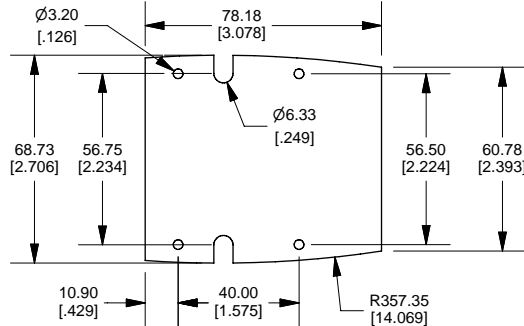
Inside of Bottom Cover



Front Panel



Maximum PCB Size



NOTE

Enclosure molded from GP ABS plastic.
Purchased assembly includes top and bottom cover, front plastic panel and 2 cover screws.

PART NUMBERS

1553C Enclosure	
Black Enclosure/Grey Over-mold	1553CBKBAT
Grey Enclosure/Grey Over-mold	1553CGYBAT
ACCESSORIES	
P.C. Board Screws	1593ATS50 (Pkg 50) 1593ATS100 (Pkg 100)
Belt or Pocket Clip	1599CLIP (Black) 1599CLIPGY (Grey)

**HAMMOND
MANUFACTURING™**
1553CBAT
www.hammondmfg.com