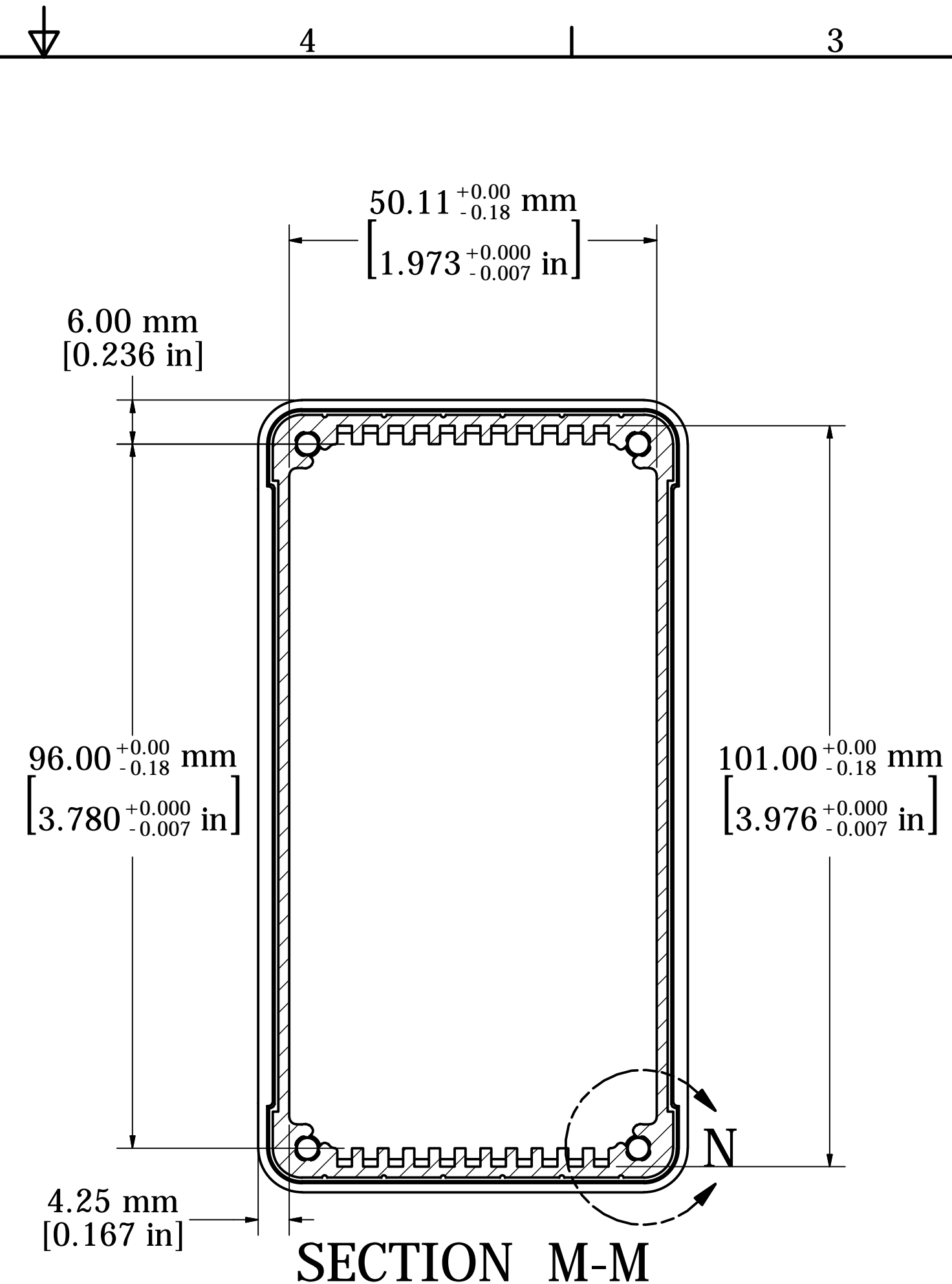
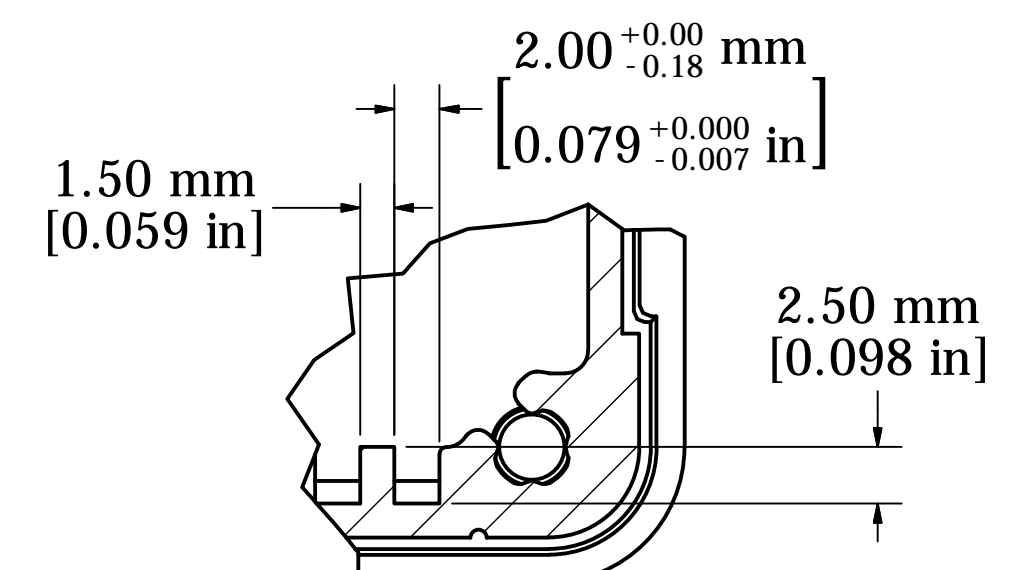
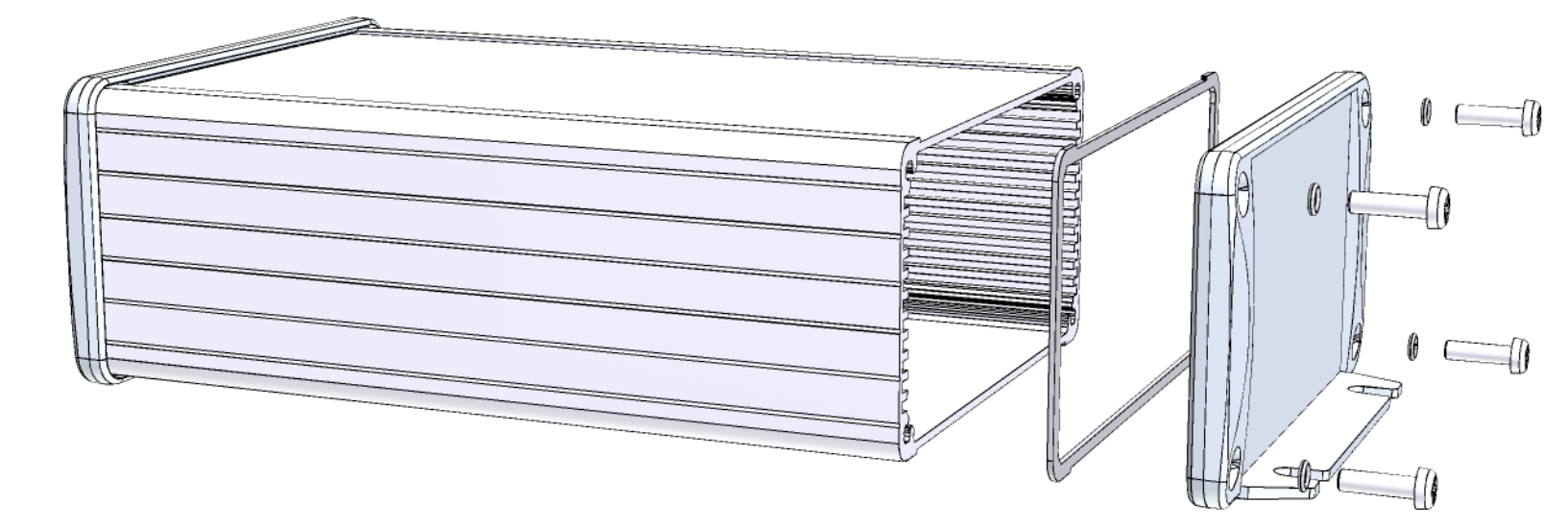


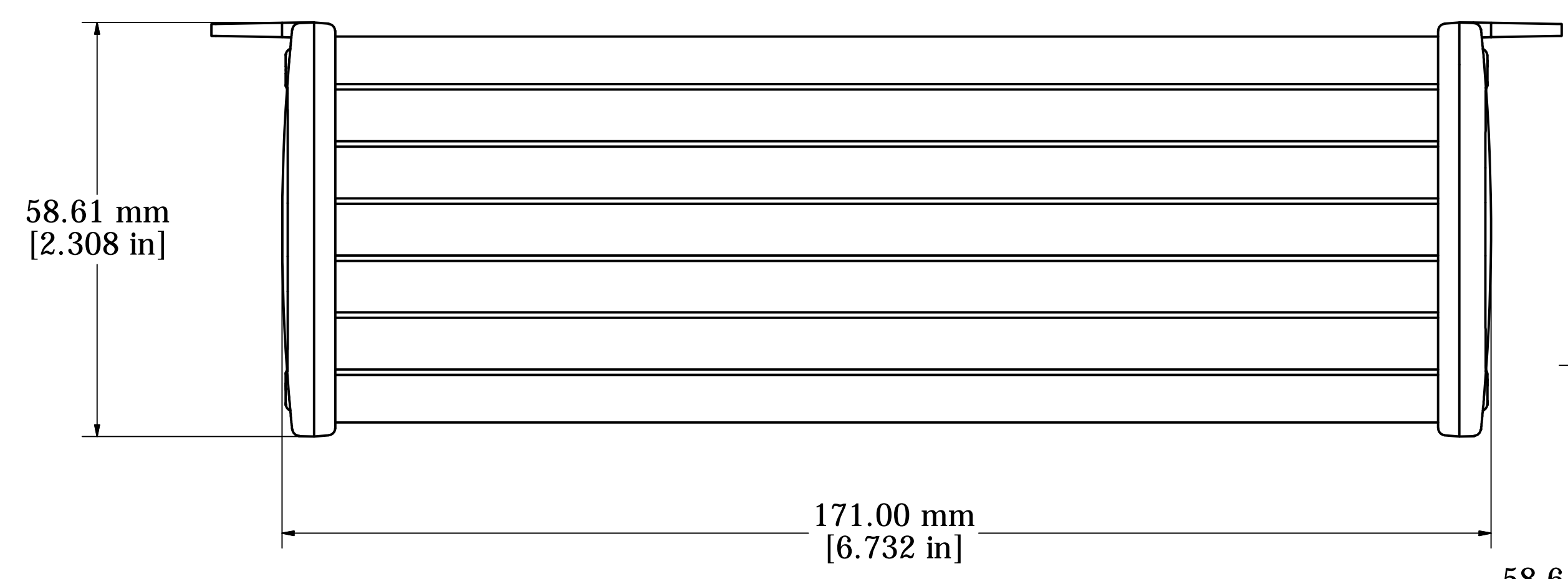
Inside Face to Face Dimension
ASSEMBLY - VIEW FROM TOP



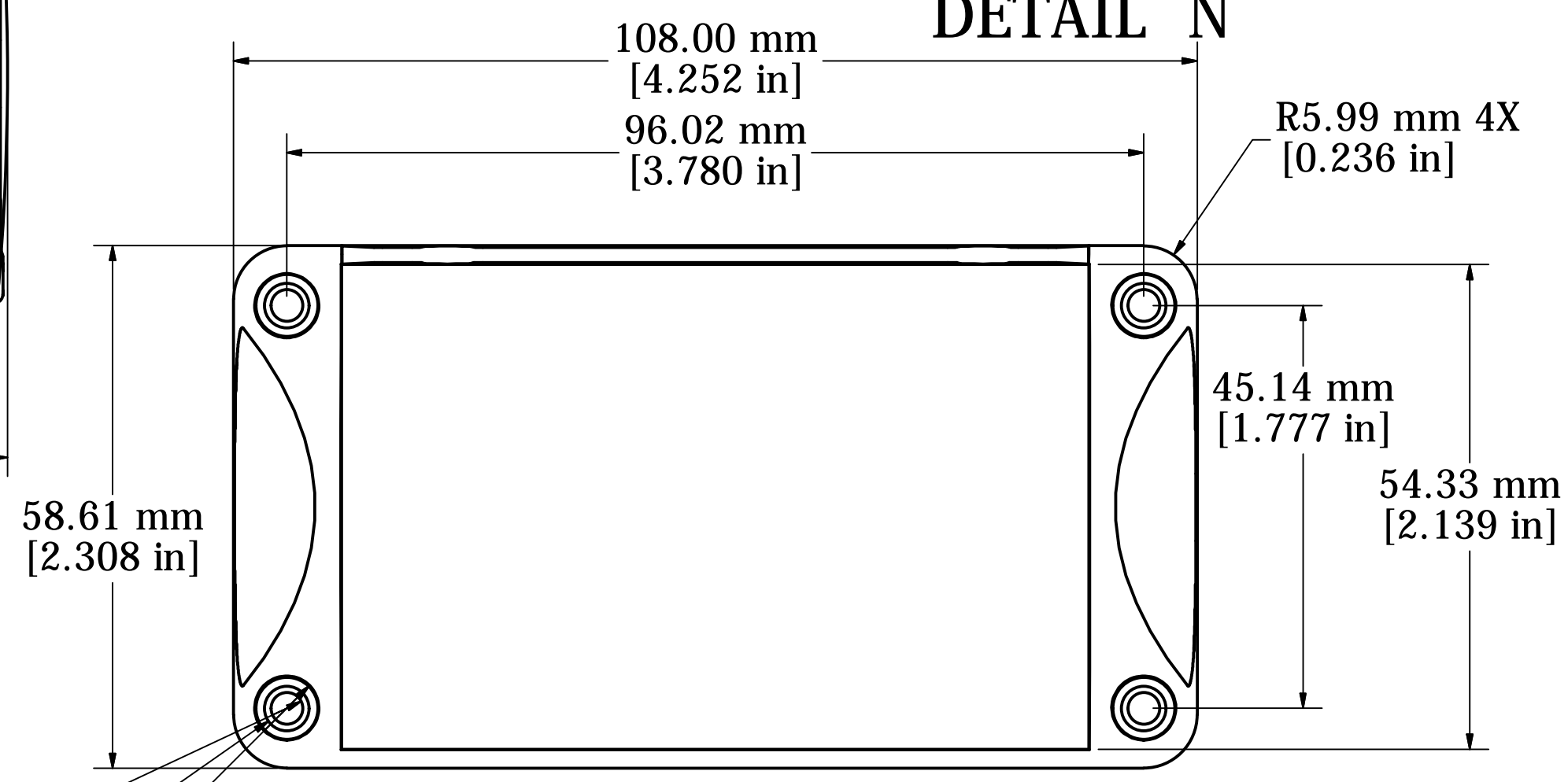
SECTION M-M



DETAIL N



Fits 160mm (6.299") X 100mm (3.937") PCB
 Note: Aluminum extrusion has a tolerance of -/+ .02"



END PANEL - VIEW FROM OUTSIDE

- ∅3.60 mm x 8.00 mm 4X
- ∅5.00 mm x 0.60 mm 4X
- ∅7.00 mm x 5.00 mm 4X

PROTECTION TO IP 65

Enclosures can be Factory Modified (Milling, Drilling, Printing etc.)
 Contact Factory mjm@hammondmfg.com for quotes
 Solid models of this enclosure available in STEP or IGES.

NOTE	
Purchased assembly includes box, end panels, stainless steel #6 Taptight screws, self adhesive rubber feet, gaskets and O-Rings.	
Box made from Extruded Aluminum 6063.	
End panels made from Type 380 Diecast Aluminum with a black powder paint finish.	
WATERPROOF 1457N1602	
PART NUMBERS	
Clear anodized box with black powder painted end panels	1457N1602
Black powder painted box and end panels	1457N1602BK
EMI /RFI SHIELDED (IP 54)	
Clear anodized box with black powder painted end panels	1457N1602E
Black powder painted box and end panels	1457N1602EBK
ACCESSORIES	
See website for accessories.	



1457N1602
www.hammondmfg.com