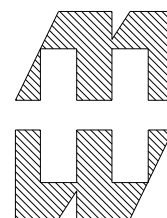
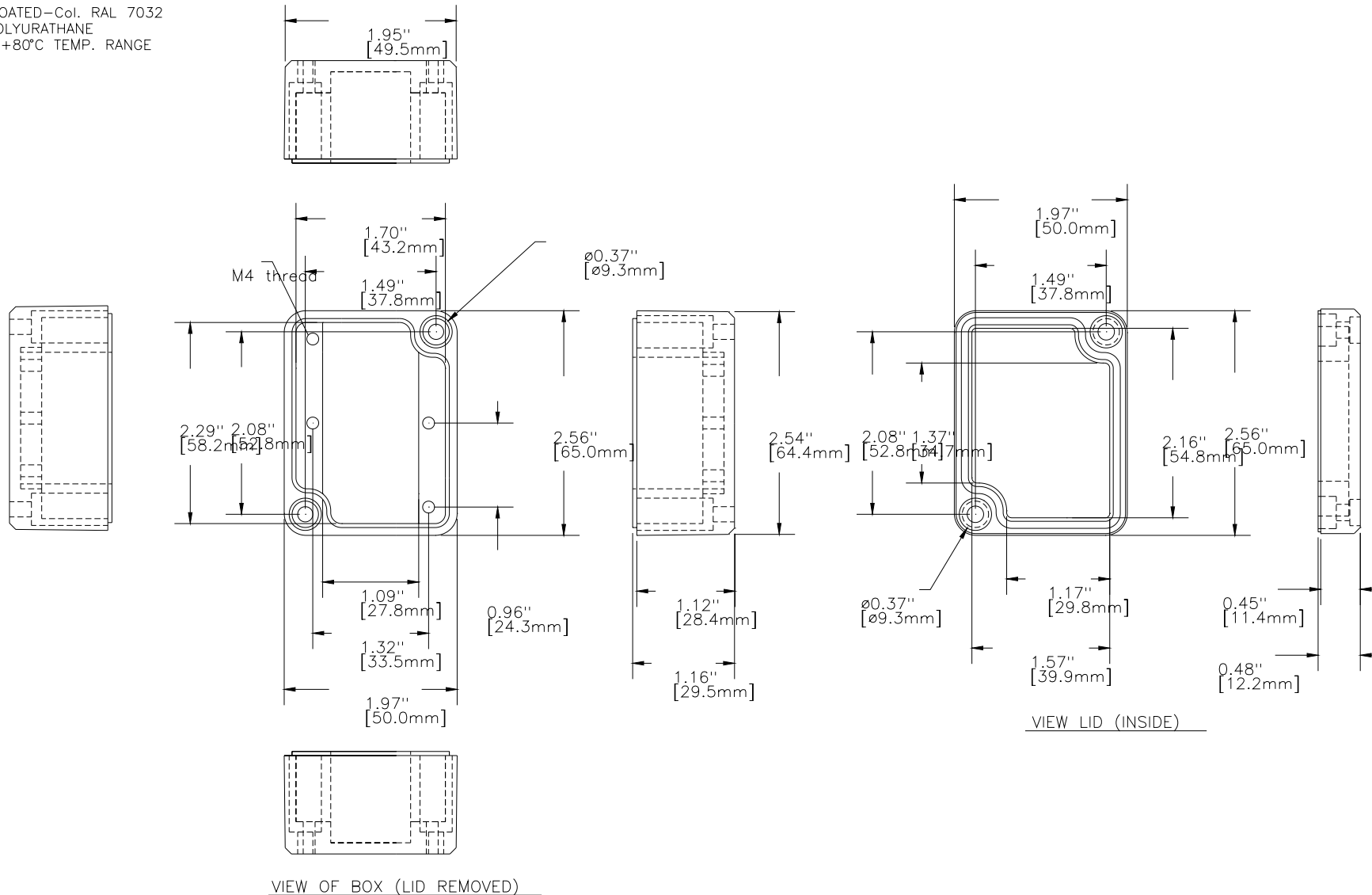


NOTES

MATERIAL - DIECAST ALUMINUM ALLOY  
 - TWO M9 CAPTIVE SCREWS

POWDER COATED - Col. RAL 7032  
 GASKET - POLYURATHANE  
 -40°C TO +80°C TEMP. RANGE



HAMMOND MANUFACTURING

R100-060-000