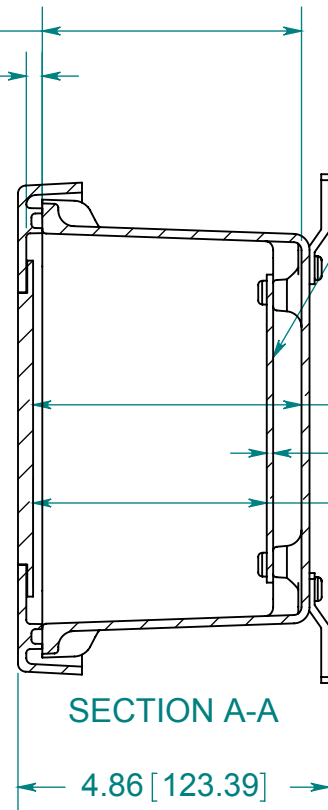
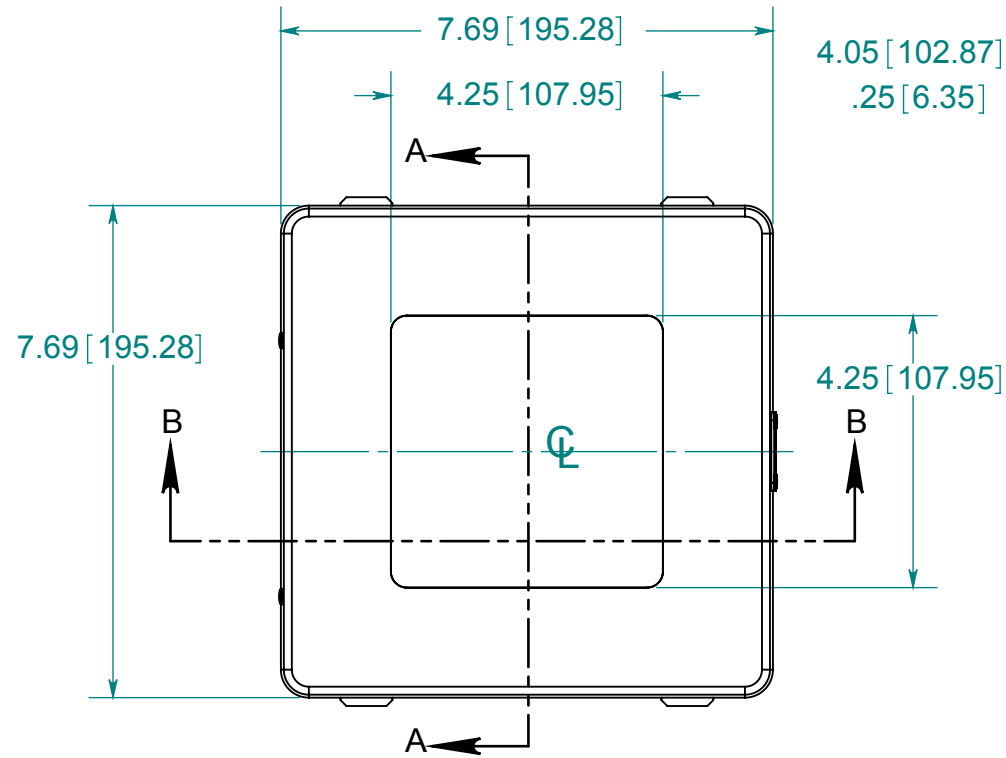
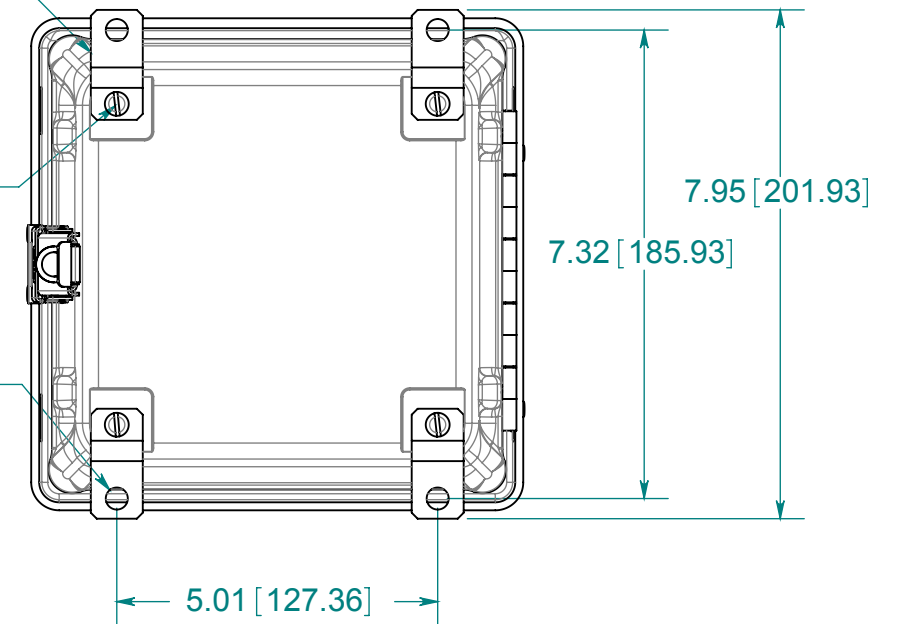


DATE	REV.	DESCRIPTION	DR	CK	REL



OPTIONAL BACK PANEL  
 0.100 [2.54] TH'K- ALUMINUM  
 0.075 [1.91] TH'K- WHITE STEEL & GALVANNEALED  
 0.125 [3.18] TH'K- FIBERGLASS

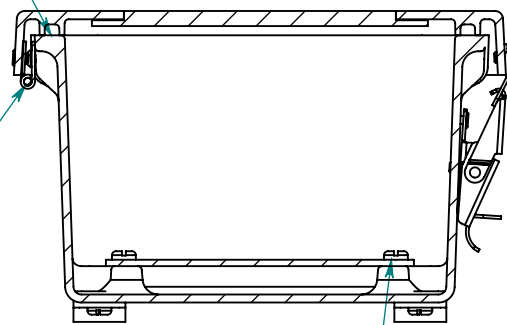
(4) STAINLESS STEEL MOUNTING FEET  
 (4) EACH #10-32 BRASS INSERTS, AND STAINLESS STEEL FEET SCREWS



STAINLESS STEEL LOCKABLE SNAP LATCH LOCATED ON CENTER

CLOSED CELL NEOPRENE GASKET

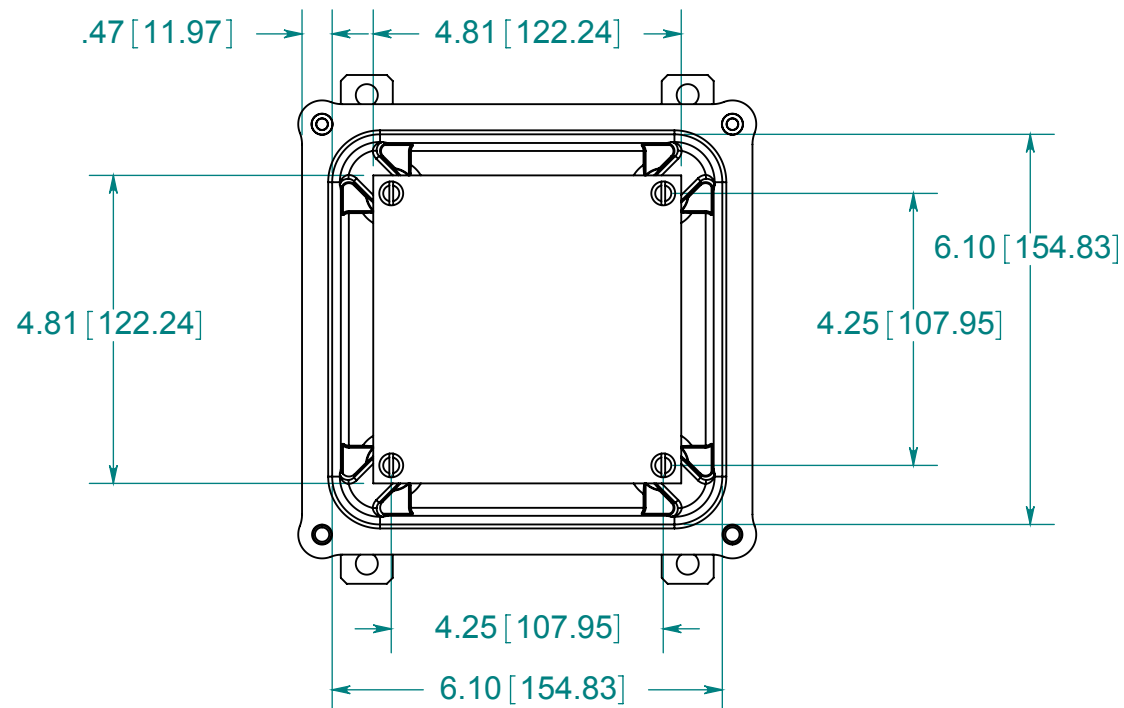
S. ST'L HINGE



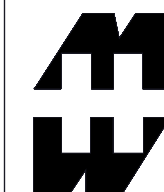
SECTION B-B

(4) EACH #10-32 BRASS INSERTS AND PLATED CARBON STEEL SCREWS

FRONT VIEW WITH COVER REMOVED AND BACK PANEL SHOWN



MATERIAL:  
 BOX- COMPRESSION MOLDED FIBERGLASS REINFORCED POLYESTER  
 COVER- COMPRESSION MOLDED FIBERGLASS REINFORCED POLYESTER  
 WINDOW- POLYCARBONATE



PART No. PJ664LW  
 for more information visit [www.hammfg.com](http://www.hammfg.com)  
 Data subject to change without notice  
 Drawing Not to Scale