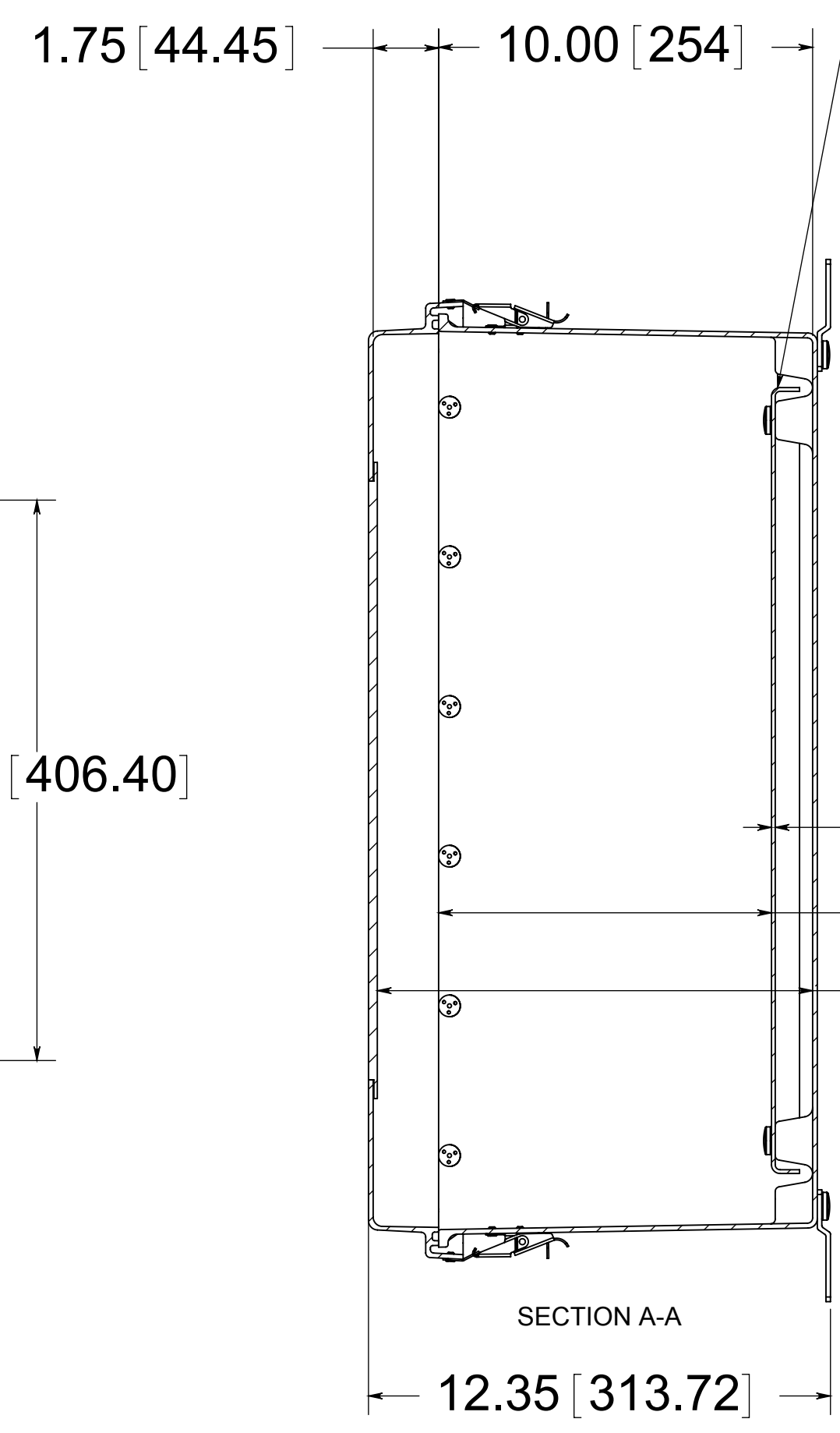
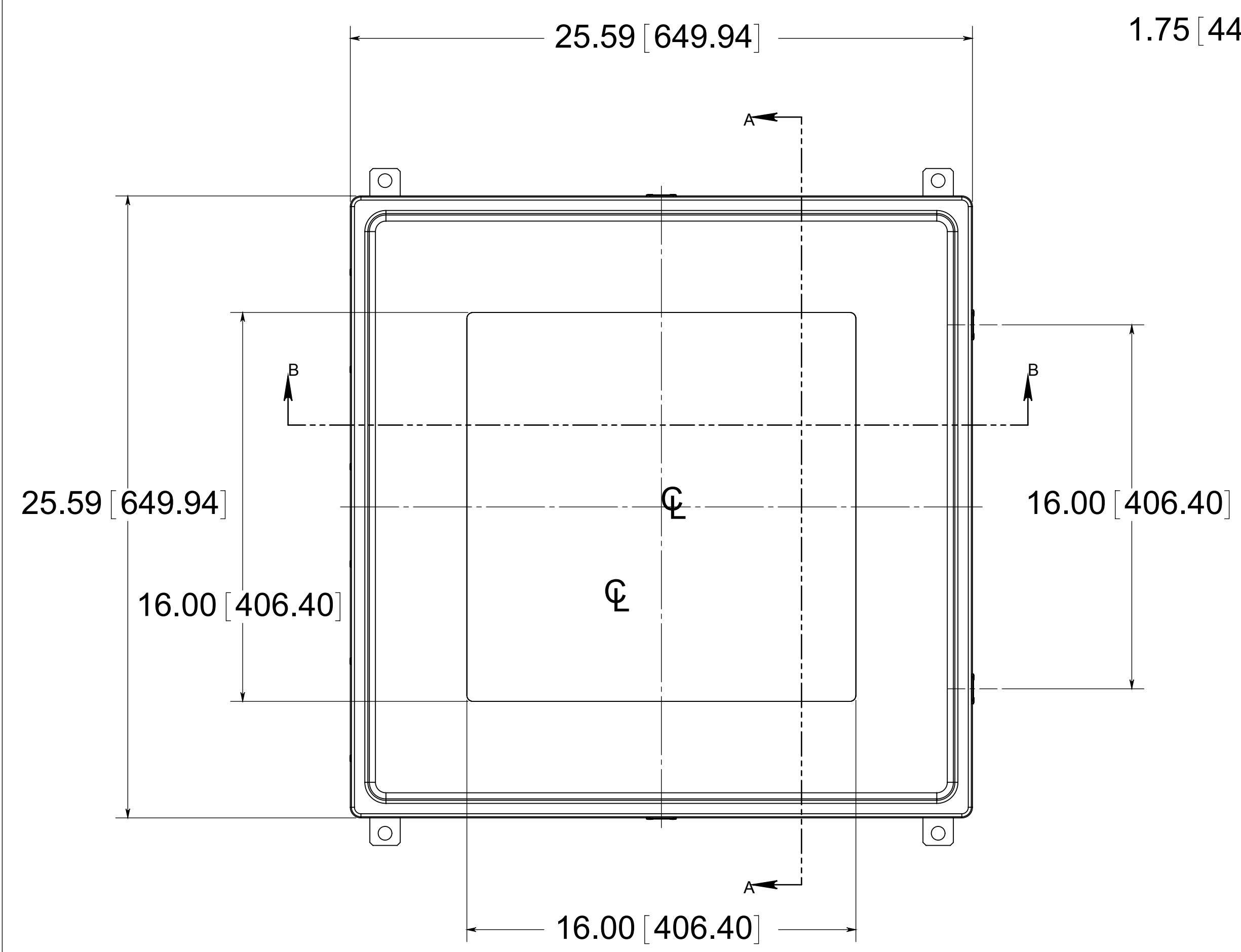
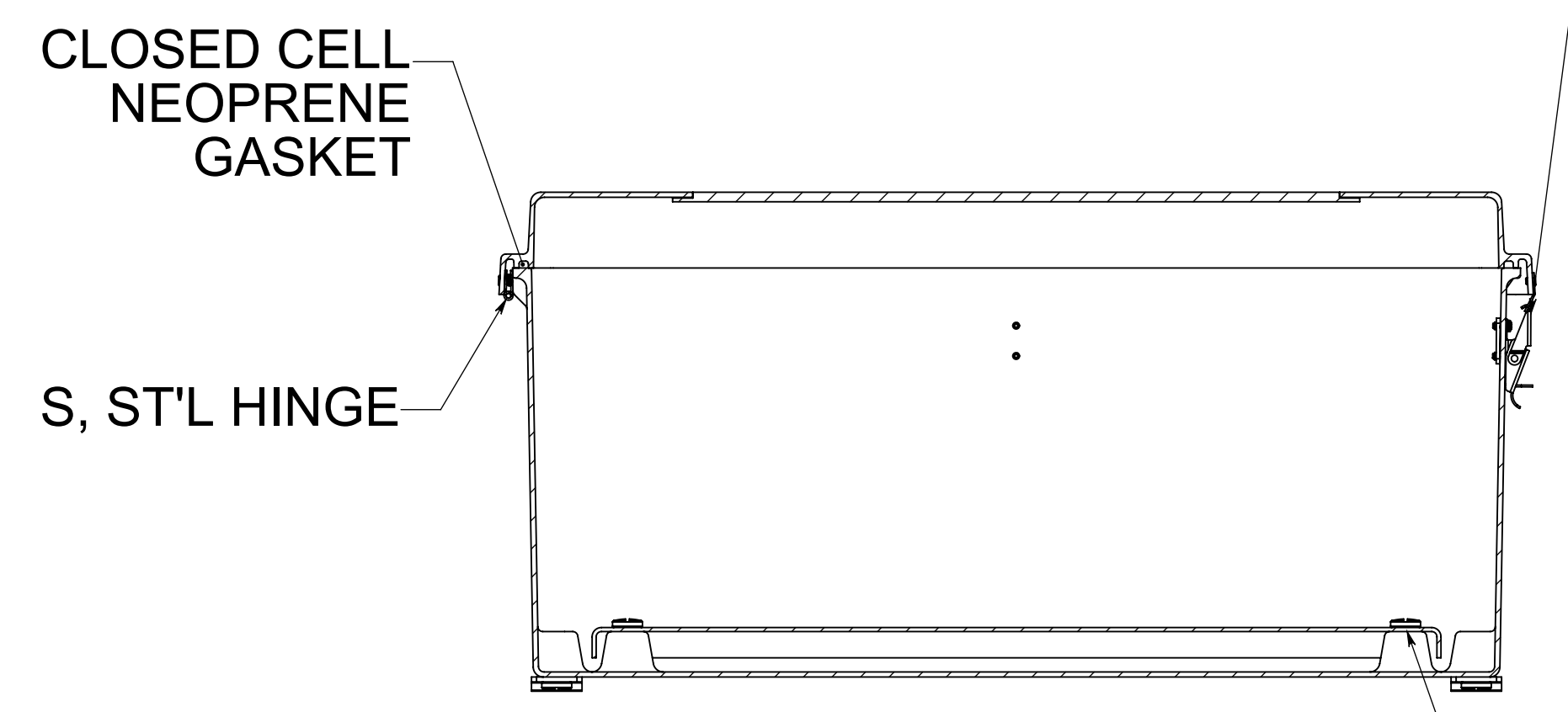
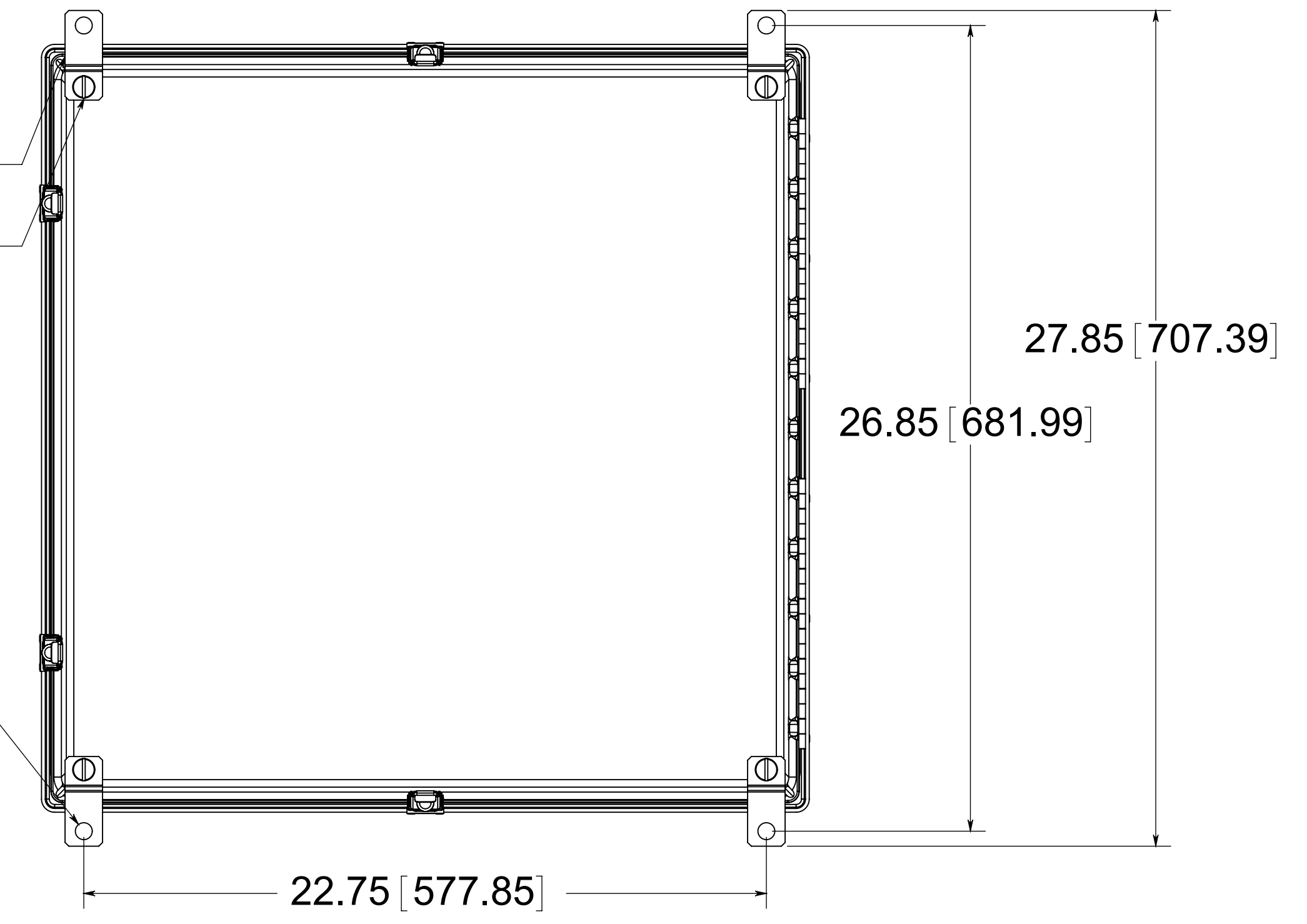


DATE	SYM.	DESCRIPTION	DR	CK	REL



OPTIONAL BACK PANEL SHOWN  
 0.100 [2.54] TH'K- ALUMINUM  
 0.075 [1.91] TH'K- WHITE STEEL & GALVANNEALED  
 0.250 [6.35] TH'K- FIBERGLASS

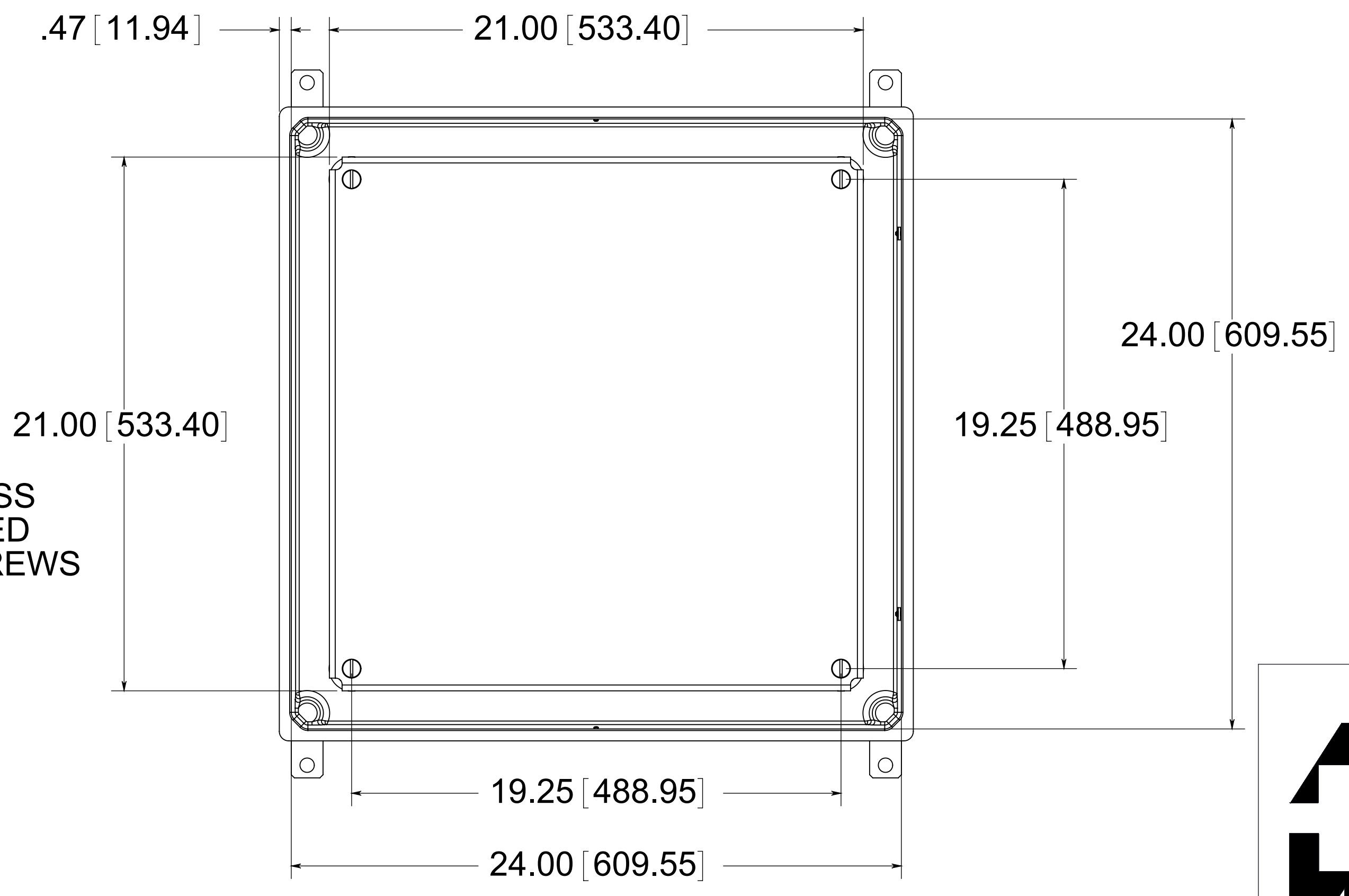
(4) STAINLESS STEEL MOUNTING FEET  
 (4) EACH 3/8-16 BRASS INSERTS, AND STAINLESS STEEL FEET SCREWS



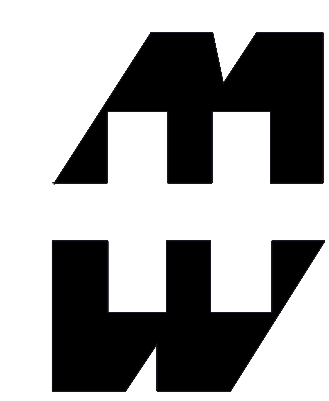
(4) STAINLESS STEEL LOCKABLE SNAP LATCHES

FRONT VIEW  
 COVER REMOVED  
 AND BACK PANEL SHOWN

(4) EACH 3/8-16 BRASS INSERTS AND PLATED CARBON STEEL SCREWS



MATERIAL:  
 BOX-COMPRESSION MOLDED FIBERGLASS REINFORCED POLYESTER  
 COVER- COMPRESSION MOLDED FIBERGLASS REINFORCED POLYESTER  
 WINDOW- POLYCARBONATE



PART No. PJ24240RLW  
 for more information visit [www.hammfg.com](http://www.hammfg.com)  
 Data subject to change without notice  
 Drawing Not to Scale