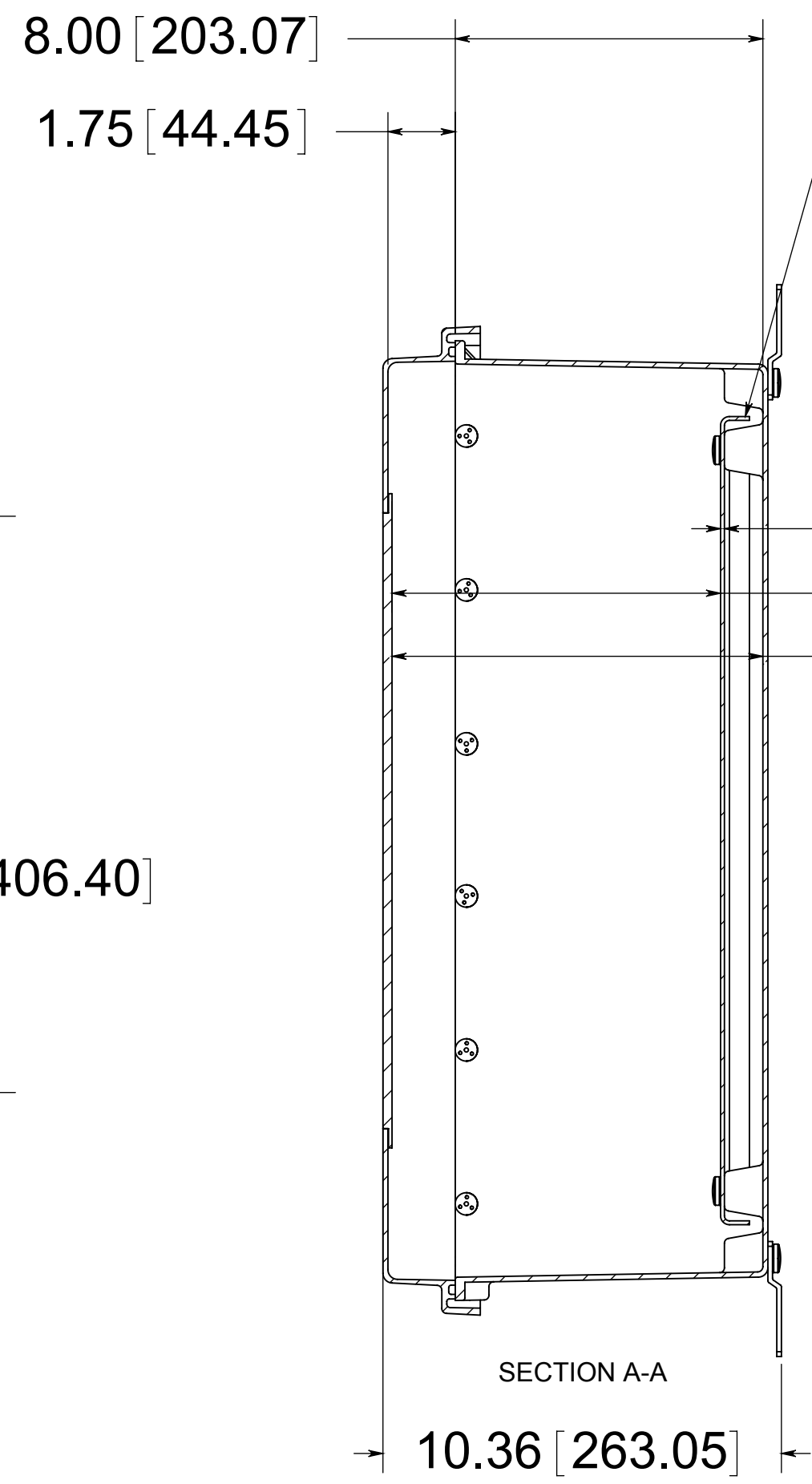
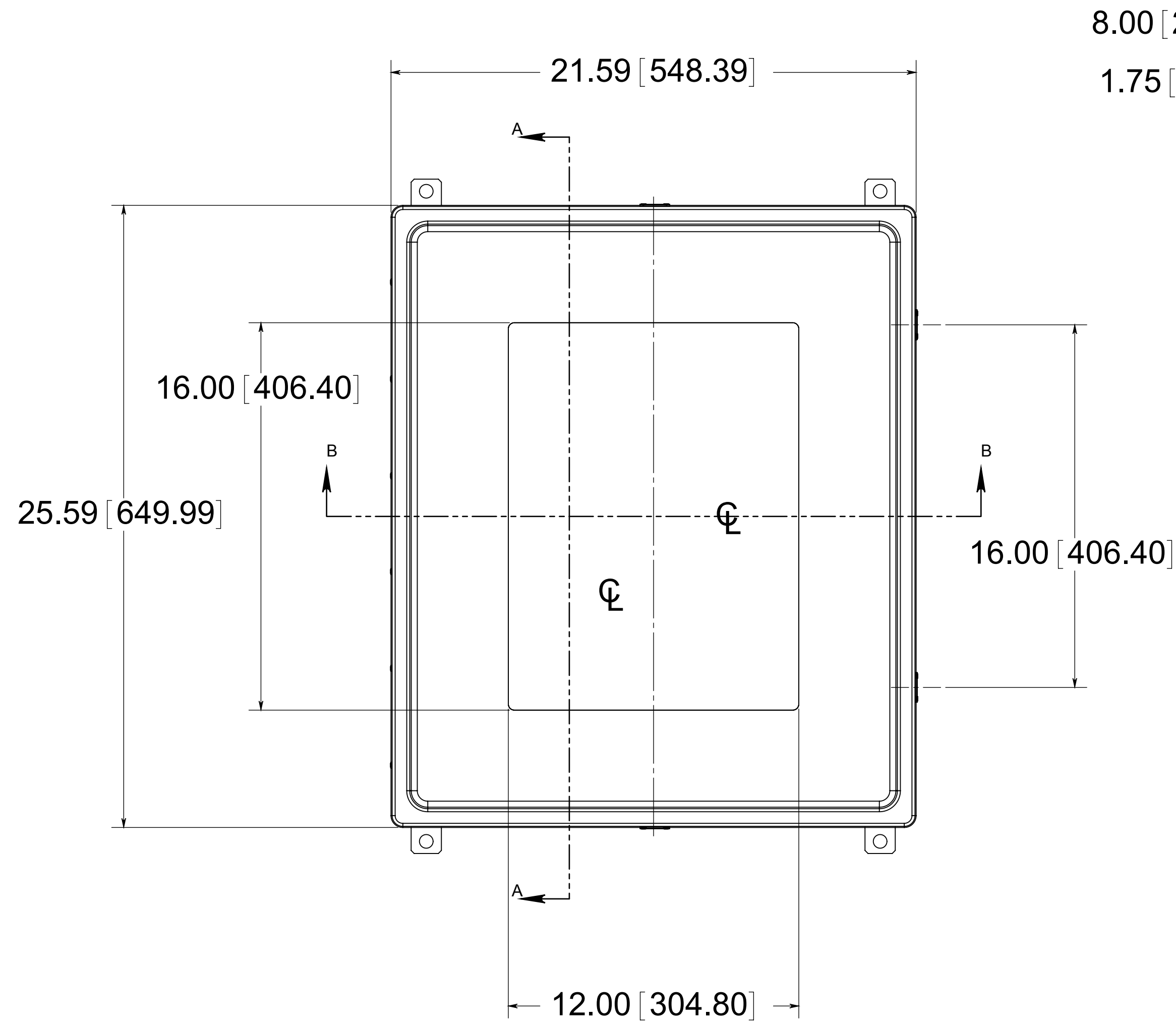


| DATE | SYM. | DESCRIPTION | DR | CK | REL |
|------|------|-------------|----|----|-----|
| | | | | | |
| | | | | | |
| | | | | | |



OPTIONAL BACK PANEL SHOWN
 0.100 [2.54] TH'K- ALUMINUM
 0.075 [1.91] TH'K- WHITE STEEL & GALVANNEALED
 0.250 [6.35] TH'K- FIBERGLASS

(4) STAINLESS STEEL MOUNTING FEET

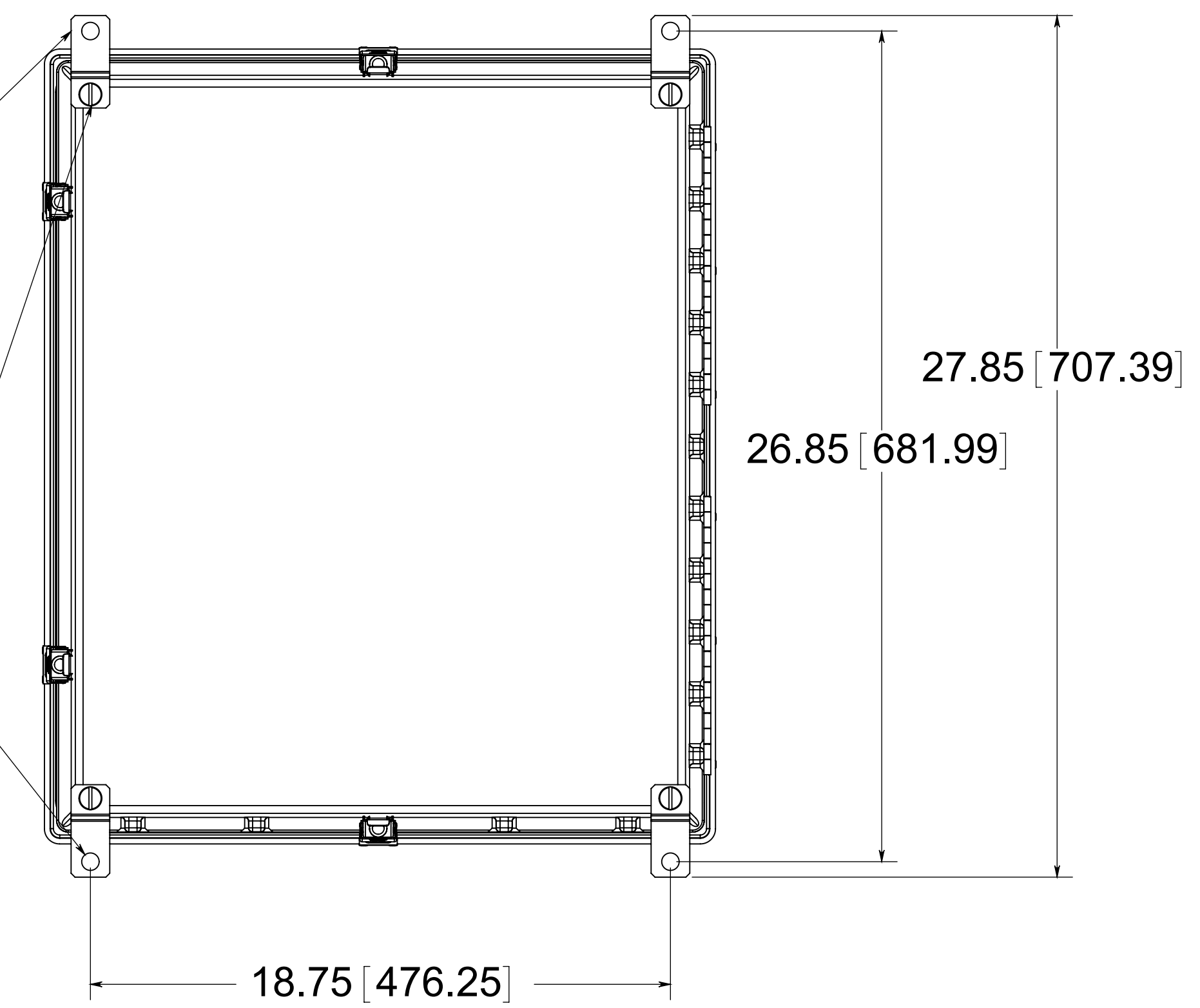
.10 [2.54]

8.54 [216.89]

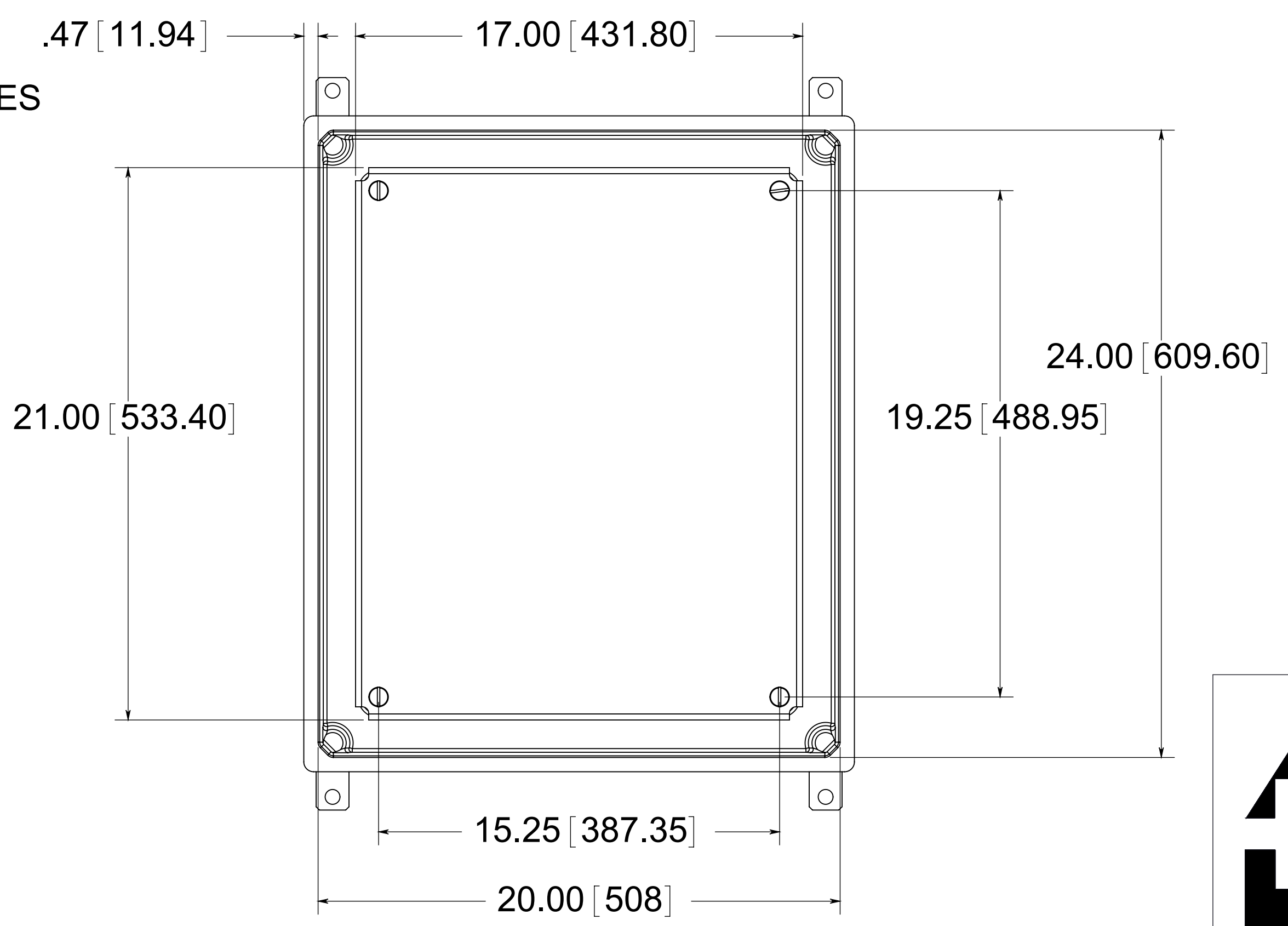
9.64 [244.83]

(4) EACH 3/8-16 BRASS INSERTS, AND STAINLESS STEEL FEET SCREWS

(4) Ø .56 [14.30]

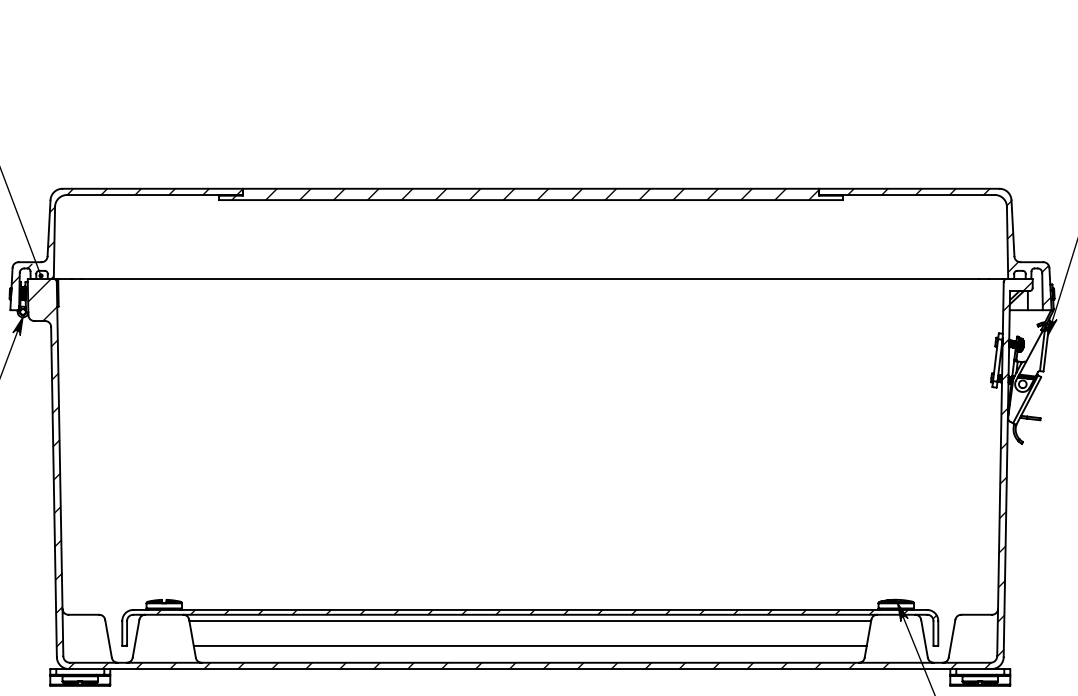


FRONT VIEW WITH COVER REMOVED AND BACK PANEL SHOWN



CLOSED CELL NEOPRENE GASKET

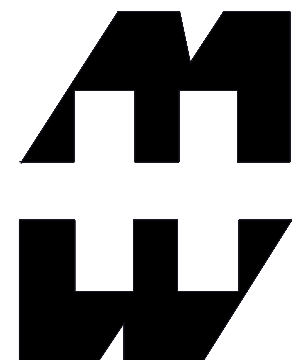
S. ST'L HINGE



(4) STAINLESS STEEL LOCKABLE SNAP LATCHES

(4) EACH 3/8-16 BRASS INSERTS AND PLATED CARBON STEEL SCREWS

MATERIAL:
 BOX- COMPRESSION MOLDED FIBERGLASS REINFORCED POLYESTER
 COVER- COMPRESSION MOLDED FIBERGLASS REINFORCED POLYESTER
 WINDOW- POLYCARBONATE



PART No. PJ24208RLW
 for more information visit www.hammfg.com
 Data subject to change without notice
 Drawing Not to Scale