

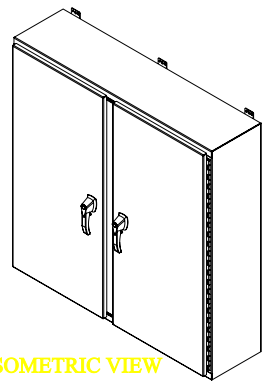


PART No. **HN4WM484812S16**

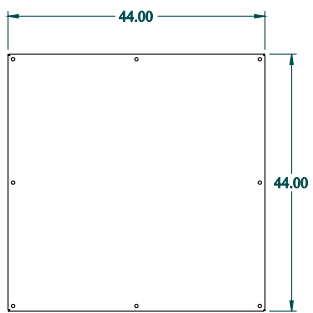
for more information visit
www.hamfmg.com

Data subject to change without notice

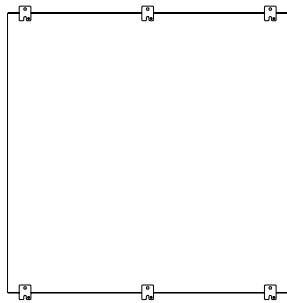
Isometric drawing Not to Scale



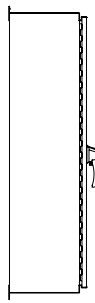
ISOMETRIC VIEW



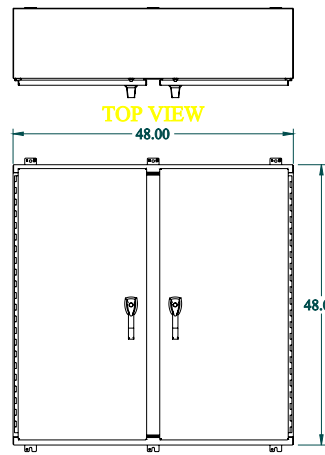
INNER PANEL



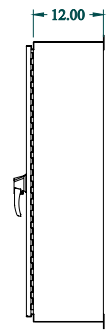
BACK VIEW



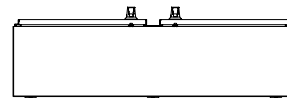
SIDE VIEW



FRONT VIEW



SIDE VIEW



BOTTOM VIEW