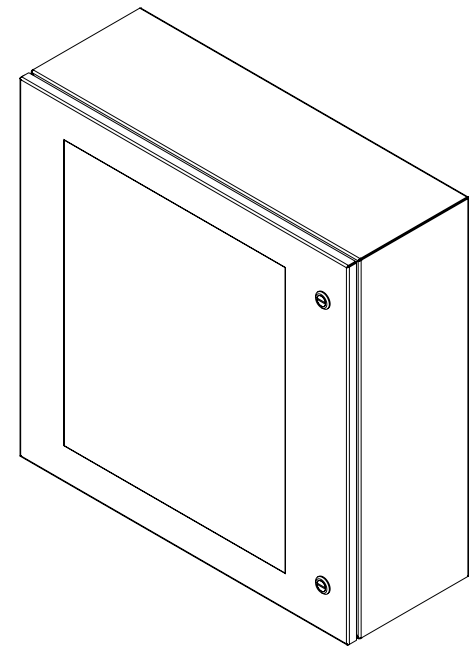


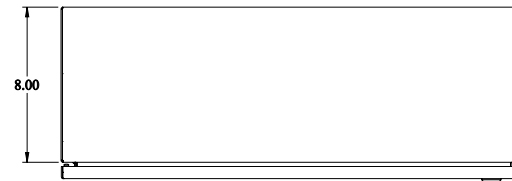
**PART No. EN4SD24248WSS**

Data subject to change without notice

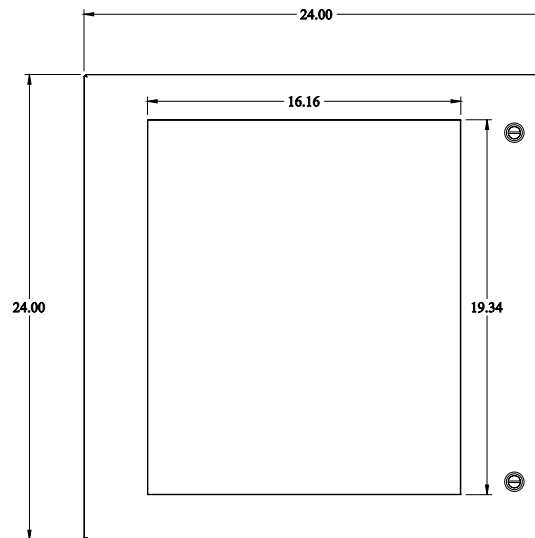
Isometric drawing Not to Scale



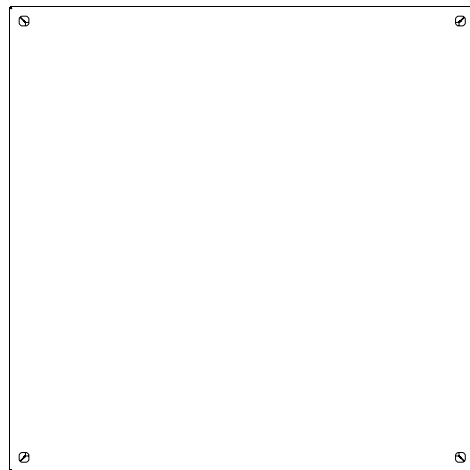
**ISOMETRIC VIEW**



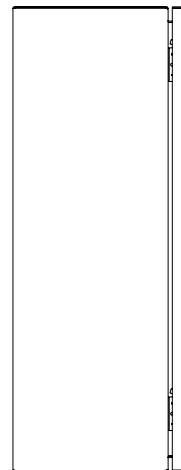
**TOP VIEW**



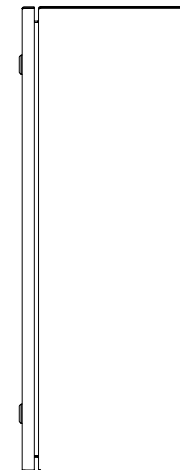
**FRONT VIEW**



**BACK VIEW**



**LEFT SIDE VIEW**



**RIGHT SIDE VIEW**



**BOTTOM VIEW**