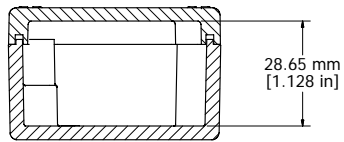
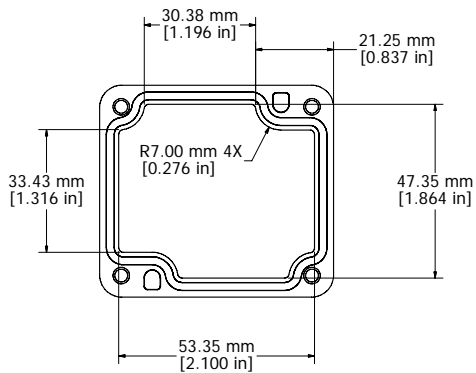


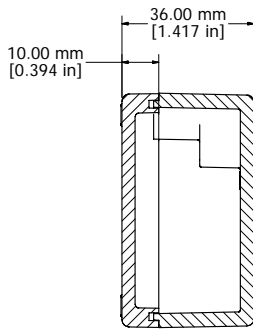
ASSEMBLY



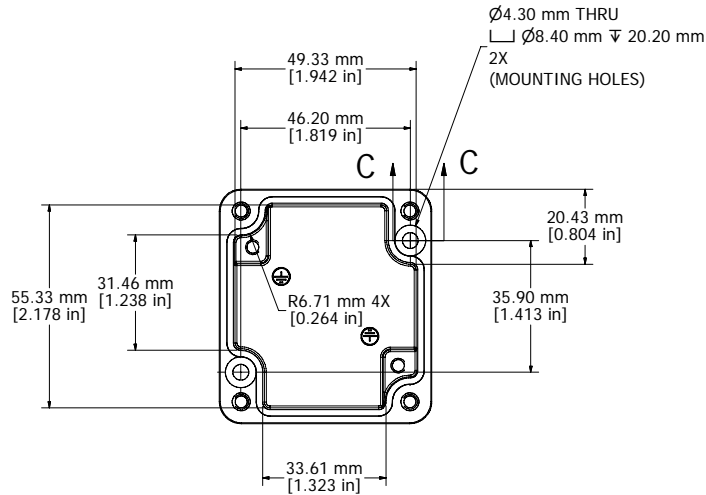
SECTION B-B



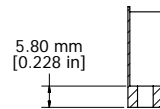
LID - INSIDE



SECTION A-A

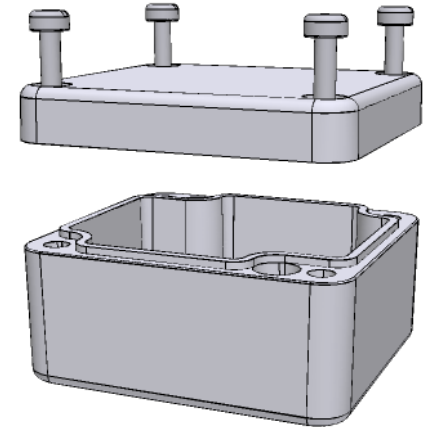


BOX - INSIDE



SECTION C-C

UL US LISTED
File #E65324
NEMA 4, 4X



Enclosures can be Factory Modified (Milling, Drilling, Printing etc.)
Contact Sales sales@grossautomation.com for quotes
Solid models of this enclosure available in STEP or IGES.

NOTES

Purchased assembly includes enclosure, M4x20 lid screws and M4x6 ground screws.

Gasket - Performed Silicone Gasket

Cover screws should be torqued to 5-7.5 lbf.in (50-75 cN.m)

1590Z061

PART NUMBERS

Basic Enclosure	1590Z061
Black Enclosure	1590Z061BK
Grey Enclosure - RAL7001 Gloss	1590Z061GY

1590Z061