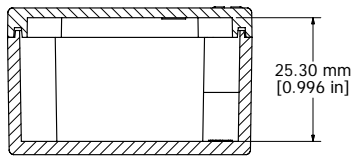
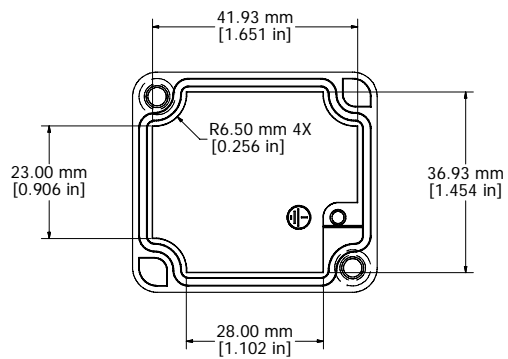


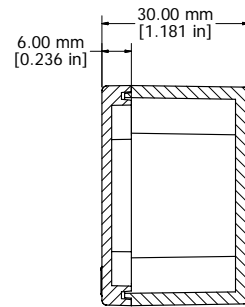
ASSEMBLY



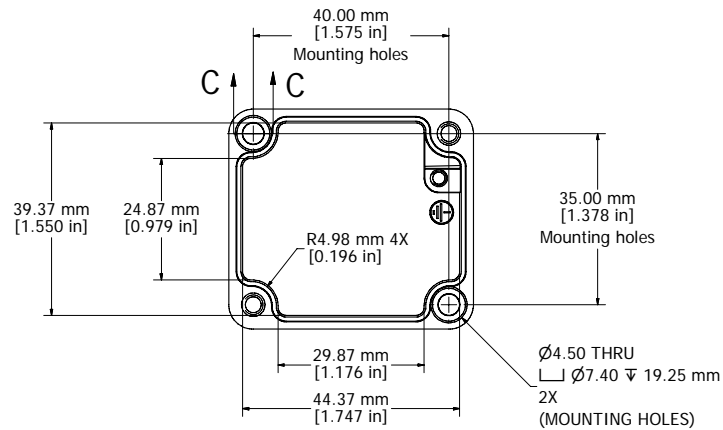
SECTION B-B



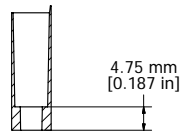
LID - INSIDE



SECTION A-A

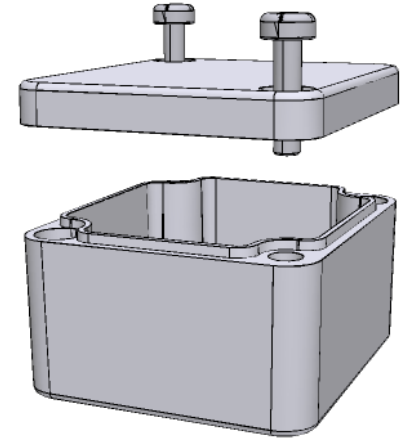


BOX - INSIDE



SECTION C-C

UL US LISTED
File #E65324
NEMA 4, 4X



Enclosures can be factory modified (trimming, drilling, finishing etc.)
Contact Sales sales@grossautomation.com for quotes
Solid models of this enclosure available in STEP or IGES.

NOTES

- Purchased assembly includes enclosure, M4x15 lid screws and M3x5 ground screws.
- Gasket - Pre-formed Silicone Rubber
- Cover screws should be torqued to 5-7.5 lbf.in (50-75 cN.m)

1590Z060

PART NUMBERS

Basic Enclosure	1590Z060
Black Enclosure	1590Z060BK
Grey Enclosure - RAL7001 Gloss	1590Z060GY

1590Z060