

Screw Cover Enclosures with Knockouts

NEMA 3R

Commercial Enclosures



Application

- Designed for use as a wiring/ junction box.
- Provides protection against rain, sleet, snow and dripping water.

Standards

- UL-50 Type 3R
- CSA Type 3R
- **Complies with:**
 - NEMA Type 3R
 - IEC 60529, IP24

Construction

- Formed and spot welded from 16 or 14 gauge galvanized steel.
- Drip-shield top and seam-free sides, front and back.
- Slip-on removable cover fastened with plated steel screws.
- Door handles on body type C enclosures.
- Embossed mounting holes on back of enclosure.
- Easily removed knockouts on bottom of enclosure.
- Padlocking hasp.
- No Gasket.

Finish

- Enclosure and cover are finished in ANSI 61 gray powder coating.

Screw Cover Enclosures with Knockouts

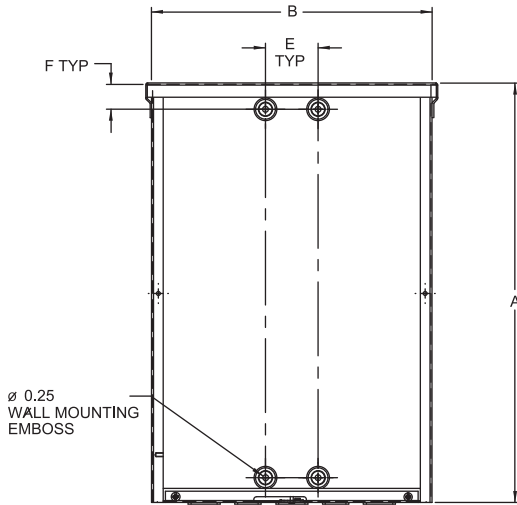
NEMA 3R

Part No.	Body Type	Mounting						Knockout Pattern (see next page)	Shipping Wt. lbs
		A	B	C	D	E	F		
C3R444SC	A	4	4	4	-	1.88	2.00	2-3	2
C3R644SC	A	6	4	4	-	1.88	1.06	2-3	2
C3R1244SC	A	12	4	4	-	1.88	1.06	2-3	3
C3R664SC	A	6	6	4	-	2.25	1.06	2-3-4	4
C3R864SC	A	8	6	4	-	2.25	1.06	2-3-4	5
C3R884SC	A	8	8	4	-	2.25	1.06	6-7-8-9	5
C3R1084SC	A	10	8	4	-	2.25	1.06	6-7-8-9	7
C3R1284SC	A	12	8	4	-	2.25	1.06	6-7-8-9	7
C3R10104SC	A	10	10	4	-	2.25	1.06	3-4-5-6-7	7
C3R12104SC	A	12	10	4	-	2.25	1.06	3-4-5-6-7	9
C3R12124SC	A	12	12	4	-	2.25	1.06	3-4-5-6-7	10
C3R18124SC	A	18	12	4	-	2.25	1.06	3-4-5-6-7	13
C3R18184SC	B	18	18	4	-	13.00	1.12	1-2-3-4-5-6-7-8-9	19
C3R666SC	A	6	6	6	-	2.25	1.06	2-3-4	5
C3R1866SC	A	18	6	6	-	2.25	1.06	2-3-4	12
C3R886SC	A	8	8	6	-	2.25	1.06	6-7-8-9	6
C3R1086SC	A	10	8	6	-	2.25	1.06	6-7-8-9	11
C3R10106SC	A	10	10	6	-	2.25	1.06	3-4-5-6-7	13
C3R1286SC	A	12	8	6	-	2.25	1.06	6-7-8-9	11
C3R12106SC	A	12	10	6	-	2.25	1.06	3-4-5-6-7	12
C3R12126SC	A	12	12	6	-	2.25	1.06	3-4-5-6-7	12
C3R15126SC	A	15	12	6	-	2.25	1.06	3-4-5-6-7	13
C3R16126SC	A	16	12	6	-	2.25	1.06	3-4-5-6-7	14
C3R18126SC	A	18	12	6	-	2.25	1.06	3-4-5-6-7	15
C3R18186SC	B	18	18	6	-	13.00	1.12	1-2-3-4-5-6-7-8-9	16
C3R24126SC	B	24	12	6	-	13.00	1.12	3-4-5-6-7	25
C3R24186SC	B	24	18	6	-	13.00	1.12	1-2-3-4-5-6-7-8-9	33
C3R24246SC	B	24	24	6	-	13.00	1.12	1-2-3-4-5-6-7-8-9	40
C3R888SC	A	8	8	8	-	2.25	1.06	6-7-8-9	8
C3R2488SC	A	24	8	8	-	2.25	1.06	6-7-8-9	17
C3R12128SC	A	12	12	8	-	2.25	1.06	3-4-5-6-7	13
C3R15128SC	A	15	12	8	-	2.25	1.06	3-4-5-6-7	14
C3R18128SC	A	18	12	8	-	2.25	1.06	3-4-5-6-7	19
C3R24168SC	B	24	16	8	-	13.00	1.12	3-4-5-6-7	22
C3R18188SC	B	18	18	8	-	13.00	1.12	1-2-3-4-5-6-7-8-9	25
C3R24188SC	B	24	18	8	-	13.00	1.12	1-2-3-4-5-6-7-8-9	38
C3R24208SC	B	24	20	8	-	13.00	1.12	1-2-3-4-5-6-7-8-9	39
C3R24248SC	C	24	24	8	12.04	13.00	1.12	1-2-3-4-5-6-7-8-9	44
C3R30248SC	C	30	24	8	15.04	13.00	1.12	1-2-3-4-5-6-7-8-9	53
C3R48368SC	C	48	36	8	24.04	33.00	1.50	1-2-3-4-5-6-7-8-9	150
C3R181810SC	C	18	18	10	9.04	13.00	1.12	1-2-3-4-5-6-7-8-9	25
C3R241810SC	C	24	18	10	12.04	13.00	1.12	1-2-3-4-5-6-7-8-9	38
C3R242410SC	C	24	24	10	12.04	13.00	1.12	1-2-3-4-5-6-7-8-9	49
C3R302410SC	C	30	24	10	15.04	13.00	1.50	1-2-3-4-5-6-7-8-9	55
C3R242412SC	C	24	24	12	12.04	13.00	1.12	1-2-3-4-5-6-7-8-9	54
C3R303012SC	C	30	30	12	15.04	27.00	1.50	1-2-3-4-5-6-7-8-9	125
C3R363012SC	C	36	30	12	18.04	27.00	1.50	1-2-3-4-5-6-7-8-9	128
C3R363612SC	C	36	36	12	18.04	33.00	1.50	1-2-3-4-5-6-7-8-9	130
C3R303016SC	C	30	30	16	15.04	27.00	1.50	1-2-3-4-5-6-7-8-9	127
C3R483616SC	C	48	36	16	24.04	33.00	1.50	1-2-3-4-5-6-7-8-9	155

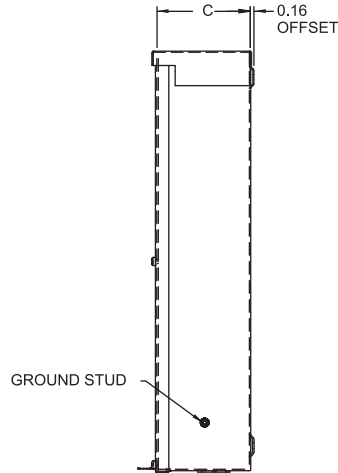
Screw Cover Enclosures with Knockouts

NEMA 3R

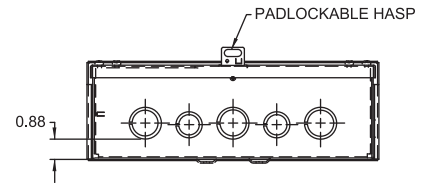
Body Type A



Front View - Cover Removed

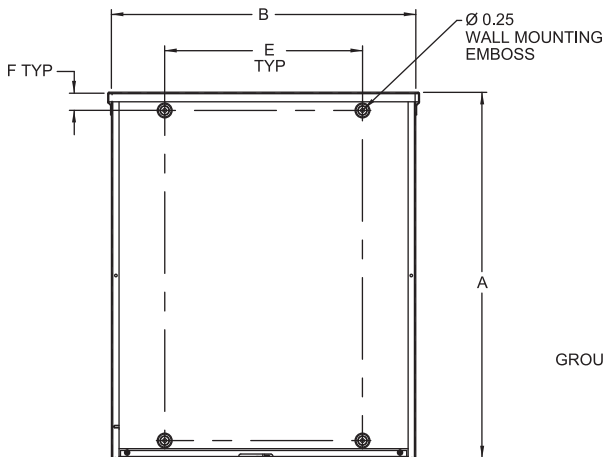


Side View

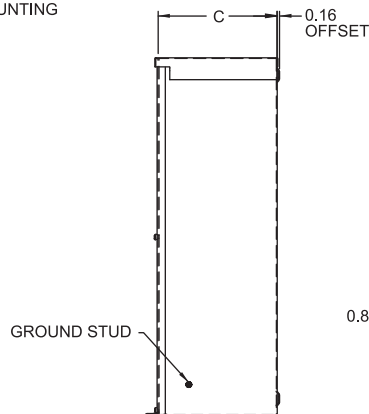


Bottom View
(SEE KNOCKOUT PATTERN FOR DETAILS)

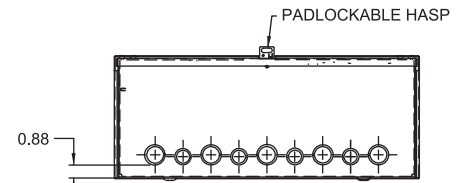
Body Type B



Front View - Cover Removed



Side View



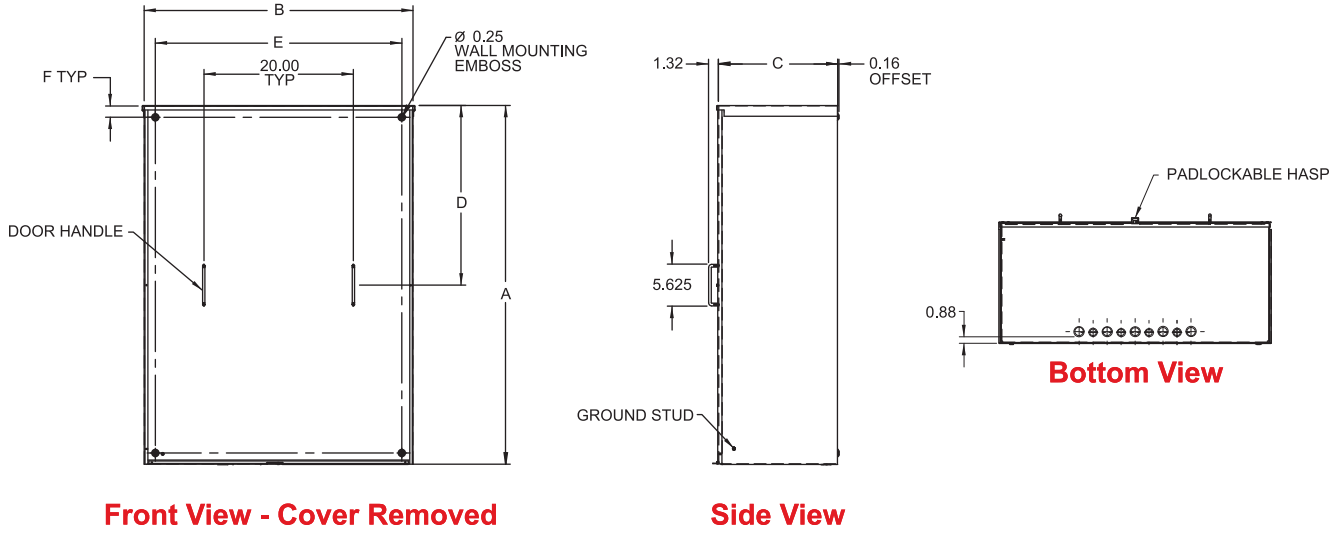
Bottom View
(SEE KNOCKOUT PATTERN FOR DETAILS)

Commercial Enclosures

Screw Cover Enclosures with Knockouts

NEMA 3R

Body Type C



Commercial Enclosures

Knockout Pattern

