

# Metering Cabinets

## NEMA 3R

Commercial Enclosures



**Inner  
Panel  
Included**



### Application

- Designed for outdoor housing of metering transformers.

### Standards

- CSA Approved, Type 3R
- **Complies with**
  - NEMA Type 3R
  - IEC 60529, IP24

### Construction

- Formed and seam welded from 14 or 16 gauge steel.
- Smooth, continuously welded seams ground smooth.
- Formed lip on enclosure to exclude flowing liquids and contaminants.
- Padlockable “L” style handle.
- Oil resistant gaskets are permanently secured.
- Removable inner panel included.
- Collar studs provided for mounting inner panel.
- Doors may be easily removed for modifications and are interchangeable.
- Bonding stud provided on door and grounding stud installed in enclosure.
- Hinges are constructed from 304 stainless steel.
- Hinge pins are stainless steel.

### Finish

- Cover and enclosure are phosphatized and finished with a recoatable ANSI 61 smooth Gray powder inside and out.
- Removable inner panel is finished in white powder coating.

### Accessories

- Door stop kit
- Drip shield kits
- Mounting Foot Kit

Part No.	Overall Dimensions			Panel Dimensions		Type of Door	Ship Wt. lbs
	A	B	C	D	E		
<b>C3RMC202010</b>	20	20	10	18.17	18.17	Single	42
<b>C3RMC271310</b>	27	13	10	25.17	11.17	Single	38
<b>C3RMC302010</b>	30	20	10	28.17	18.17	Single	69
<b>C3RMC303010</b>	30	30	10	28.17	28.17	Double	92
<b>C3RMC363612</b>	36	36	12	34.17	34.17	Double	131
<b>C3RMC484812</b>	48	48	12	46.17	46.17	Double	210

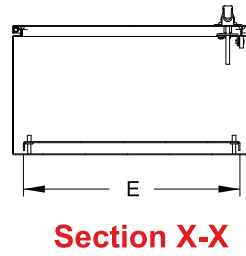
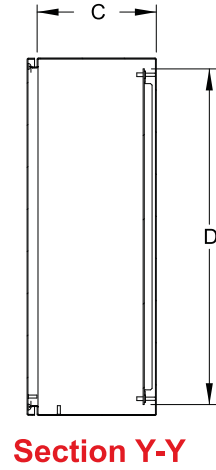
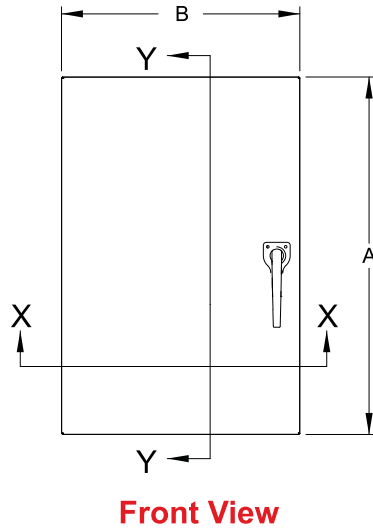
Technical references and CAD downloads available at [www.hammondmfg.com](http://www.hammondmfg.com)

All dimensions in inches unless specified otherwise

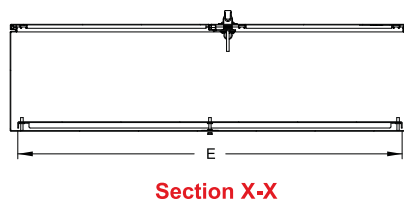
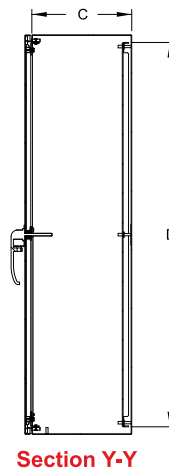
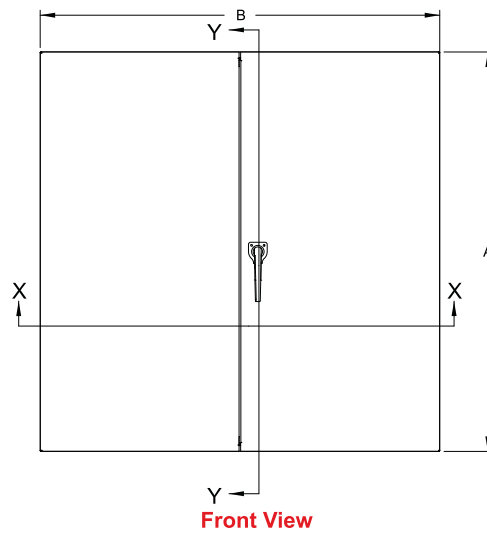
Metering Cabinets

**Metering Cabinets**  
NEMA 3R

**Single Door**



**Double Door**



Commercial Enclosures

Metering Cabinets

Technical references and CAD downloads available at [www.hammondmfg.com](http://www.hammondmfg.com)

All dimensions in inches unless specified otherwise

**Quality Products. Service Excellence.**