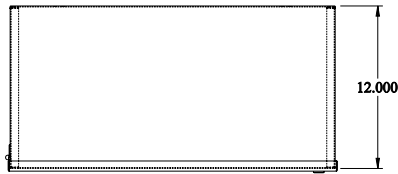
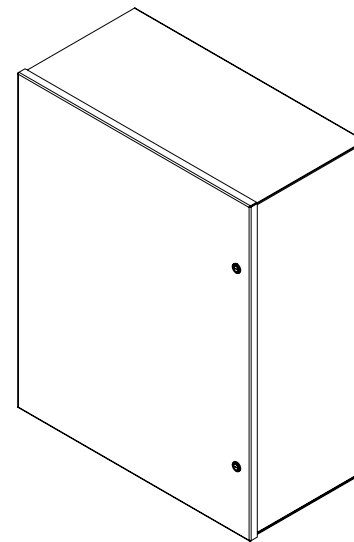


**PART No. N1A302412**

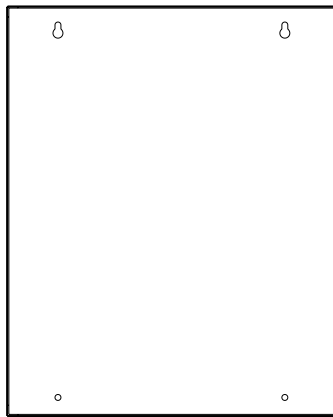
Data subject to change without notice  
Isometric drawing Not to Scale



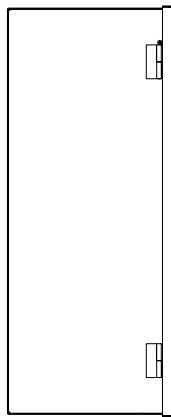
TOP VIEW



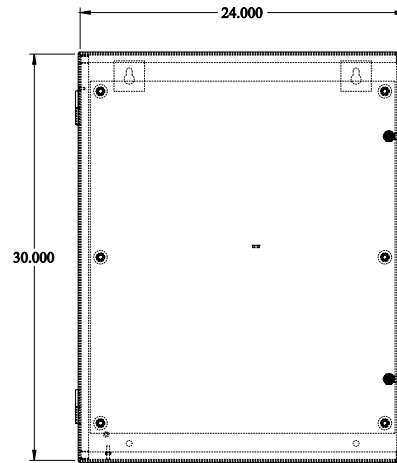
ISOMETRIC VIEW



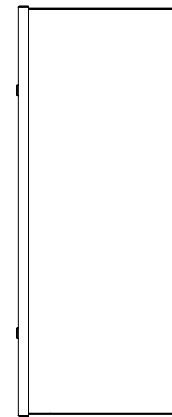
BACK VIEW



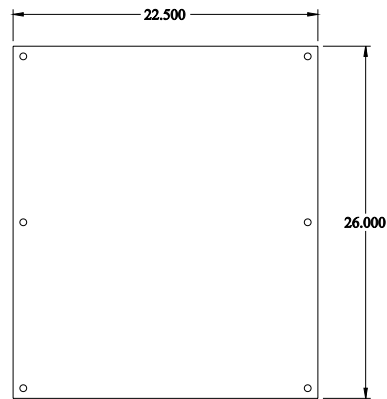
LEFT SIDE VIEW



FRONT VIEW



RIGHT SIDE VIEW



INNER PANEL



BOTTOM VIEW