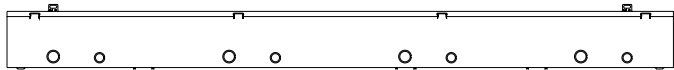
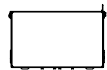


PART No. CST6403

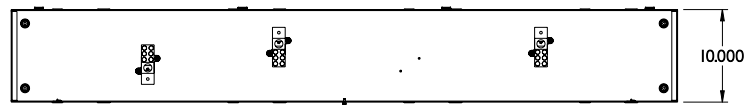
Data subject to change without notice
Isometric drawing Not to Scale



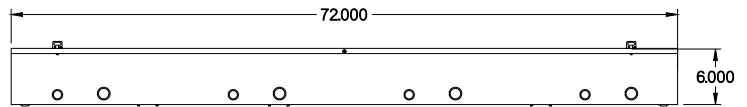
BACK VIEW



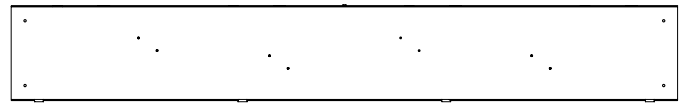
LEFT SIDE VIEW



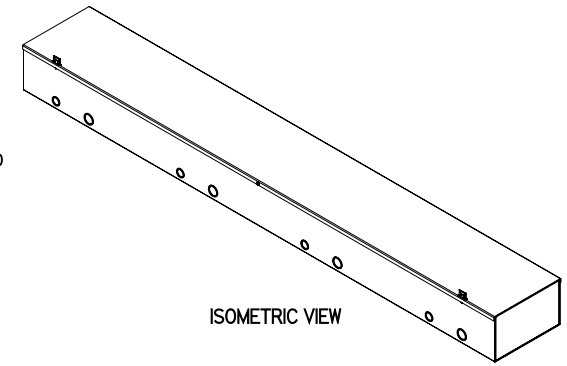
TOP VIEW - COVER REMOVED



FRONT VIEW



BOTTOM VIEW



ISOMETRIC VIEW



RIGHT SIDE VIEW