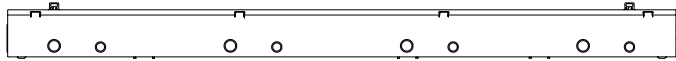
 **PART No. CST6203**

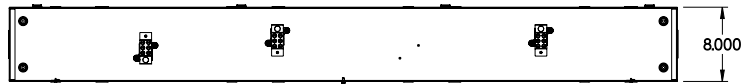
Data subject to change without notice
Isometric drawing Not to Scale



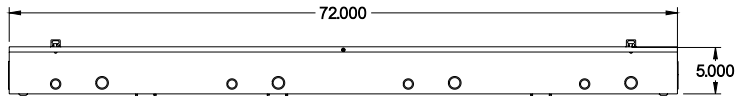
BACK VIEW



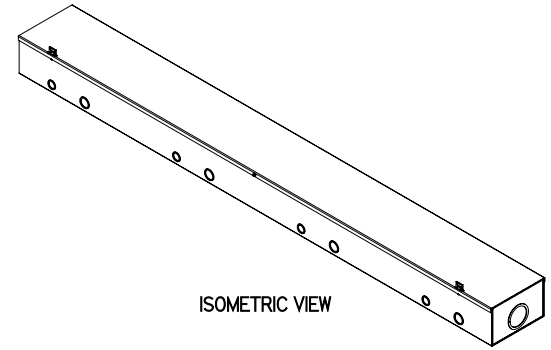
LEFT SIDE VIEW



TOP VIEW - COVER REMOVED



FRONT VIEW



ISOMETRIC VIEW



RIGHT SIDE VIEW



BOTTOM VIEW