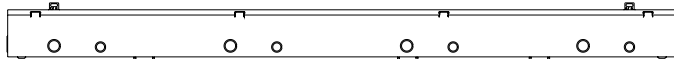


PART No. CST6103

Data subject to change without notice

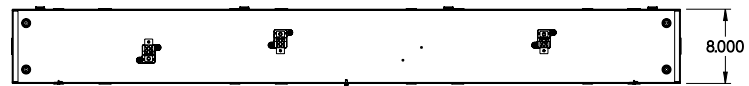
Isometric drawing Not to Scale



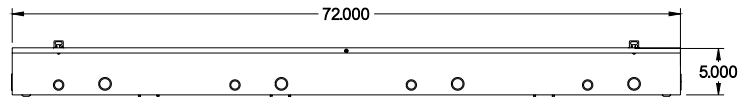
BACK VIEW



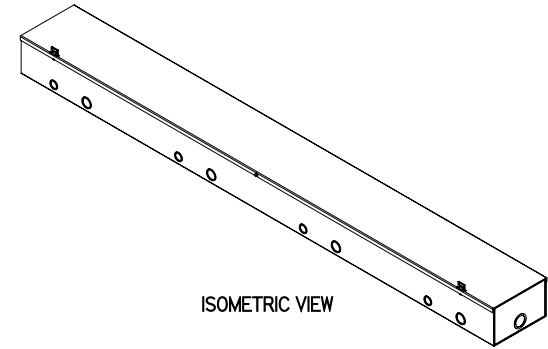
LEFT SIDE VIEW



TOP VIEW - COVER REMOVED



FRONT VIEW



ISOMETRIC VIEW



RIGHT SIDE VIEW



BOTTOM VIEW