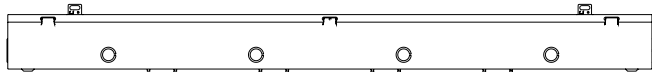


PART No. CST4104

Data subject to change without notice

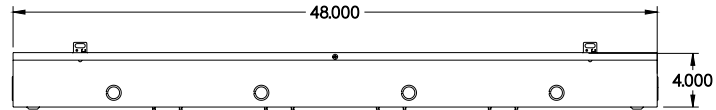
Isometric drawing Not to Scale



BACK VIEW



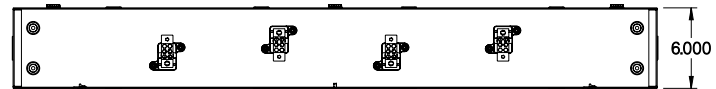
LEFT SIDE VIEW



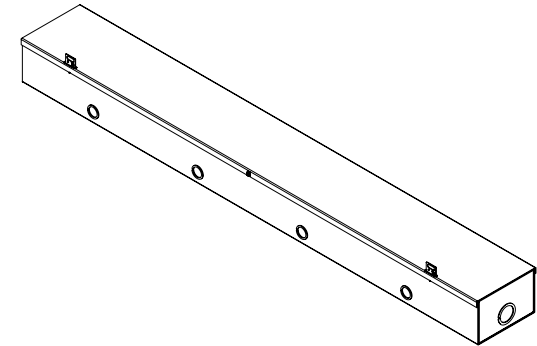
FRONT VIEW



BOTTOM VIEW



TOP VIEW - COVER REMOVED



ISOMETRIC VIEW



RIGHT SIDE VIEW