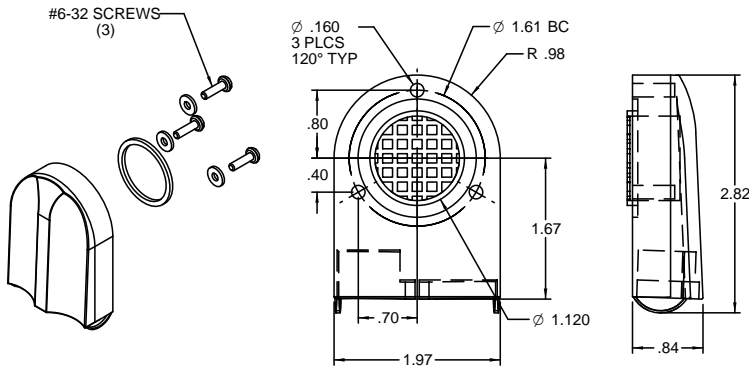


# NEW Rainproof Ventilators

## SDV280

### LARGE VENTILATOR



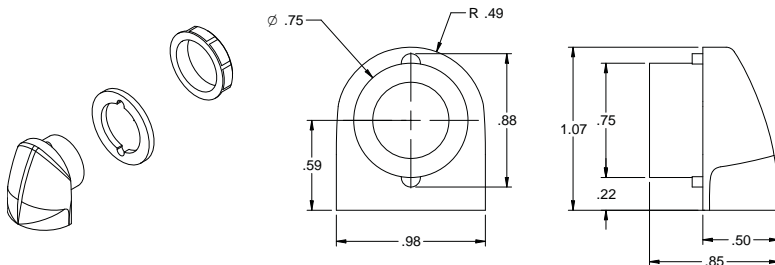
- Designed to equalize internal / external pressure and temperature
- Ventilators assist in condensation prevention by allowing enclosures to breathe
- Suitable for most types of metallic and non-metallic enclosures
- Molded in corrosion resistant thermal set plastic, finish RAL7035 Light Gray

### Large Ventilator

- Gasket protection to enclosure wall
- Mount to enclosure wall thickness up to .14" with standard screws
- Internal vent channel & grille reduces insect intrusion
- Package quantity 2

## SDV180

### SMALL VENTILATOR



### Small Ventilator

- Gasket protection to enclosure wall with built in compression stop
- Mount to enclosure wall thickness up to .14" with standard screws
- Internal vent channel & grille reduces insect intrusion
- Package quantity 2

All dimensions shown in inches.

#### CANADA:

Hammond Mfg. Co. Ltd.  
394 Edinburgh Rd North  
Guelph, ON N1H 1E5  
Tel: (519) 822-2960  
Fax: (519) 822-0715

Les Fabrications Hammond Inc.  
4240 Rue Seré  
St. Laurent, Quebec H4T 1A6  
Tel: (514) 343-9010  
Fax: (514) 343-9941

#### USA:

Hammond Mfg. Co. Inc.  
475 Cayuga Rd.  
Cheektowaga, NY 14225  
Tel: (716) 630-7030  
Fax: (716) 630-7042

#### UNITED KINGDOM:

Hammond Electronics Limited  
1 Onslow Close  
Kingsland Business Park  
Basingstoke, Hampshire,  
RG24 8QL  
Tel: +44 1256 812812  
Fax: +44 1256 332249

#### AUSTRALIA:

Hammond Electronics Pty. Ltd.  
11-13 Port Road  
Queenstown, SA 5014  
Tel: +61 8 8240 2244  
Fax: +61 8 8240 2255