

Filterfan PF 65000, 66000, 67000 / Exhaust Filter PFA 60000



Features

- Maintains a UL Tested NEMA Type 12 seal against enclosure
- UL Recognized to UL 508a, category NITW2/8, UL File #E175229
- CSA #246217
- Patented "Click & Fit" design provides a hardware free installation!
- Plastic made from strong, heat resistant (ABS-FR), UL 94 VO fire approved material
- Options: Black Grills
Reverse Flow Exhaust

Part Number	Voltage	Power	Mating Exhaust Filter	Ship Wt. lbs.
PF65000T12LG	115V	90W	PFA60000LG	7.5
PF65000T12LG230	230V	150W	PFA60000LG	7.5
PF66000T12LG	115V	160W	PFA60000LG	8
PF66000T12LG230	230V	150W	PFA60000LG	8
PF67000T12LG	115V	95W	PFA60000LG	8
PF67000T12LG230	230V	214W	PFA60000LG	8

Airflow data	PF 65000	PF 66000	PF 67000	PFA 60000
Filter material	Type 12 Filtermat	Type 12 Filtermat	Type 12 Filtermat	Type 12 Filtermat
Unimpeded airflow	297 CFM	462 CFM	560 CFM	-
Cooling Dissipation (W)/°T	168 W/K / 168 W/K	257 W/K / 262 W/K	308 W/K / 317 W/K	-
Airflow in combination	224 CFM	295 CFM	368 CFM	-
(Filterfan + Exhaust Filter)	(PF 65000 + PFA 60000)	(PF 66000 + PFA 60000)	(PF 67000 + PFA 60000)	-
Capacity in combination	127 W/K	167 W/K	208 W/K	-
(Filterfan + Exhaust Filter)	(PF 65000 + PFA 60000)	(PF 66000 + PFA 60000)	(PF 67000 + PFA 60000)	-
Max. static pressure (Airflow = 0)	74 Pa	134 Pa	187 Pa	-
Filtration efficiency	91%	91%	91%	91%
Filter material grade	G 4 (DIN EN 779)	G 4 (DIN EN 779)	G 4 (DIN EN 779)	G 4 (DIN EN 779)
Duty cycle	100%	100%	100%	-

Technical data	PF 65000	PF 66000	PF 67000	PFA 60000
Outside dimensions in mm (height x width x installation depth)	320 x 320 x 150	320 x 320 x 150	320 x 320 x 150	320 x 320 x 39
Bearing type	ball bearings	ball bearings	ball bearings	-
Fitting position	any, horizontal airflow preferred		any	-
Construction	housing and guard of sprayed thermoplastic, self-extinguishing, UL 94 VO			
Weight	3.2 kg	3.2 kg	3.7 kg	0.7 kg
Safety protection	in accordance with DIN 31 001			-
Color				RAL 7035, Light Grey
Connections	cage clamp	cage clamp	cage clamp	-
Approval	NEMA Type 12, IP 55 (EN 60 529), when installed as specified			

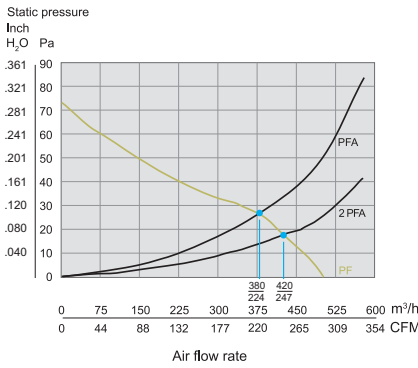
Technical references and CAD downloads available at www.hammondmfg.com

All dimensions in inches unless specified otherwise

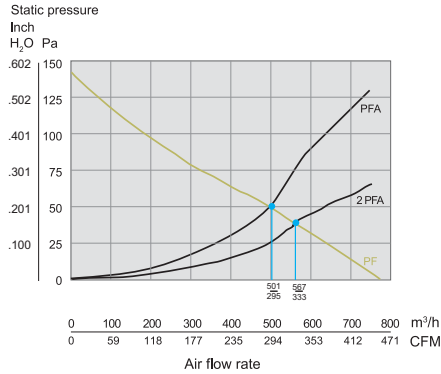
Filterfan PF 65000, 66000, 67000 / Exhaust Filter PFA 60000

Airflow Data:

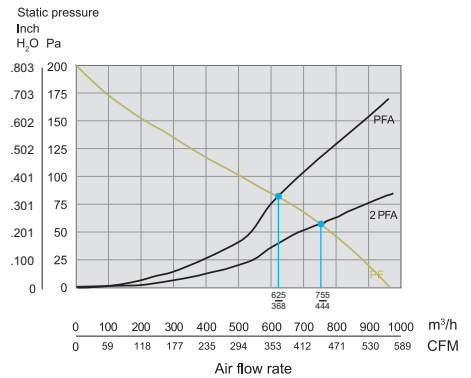
PF 65.000 IP55 / PFA 60.000 IP55



PF 66.000 IP55 / PFA 60.000 IP55

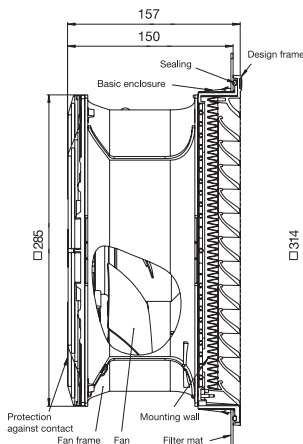


PF 67.000 IP55 / PFA 60.000 IP55

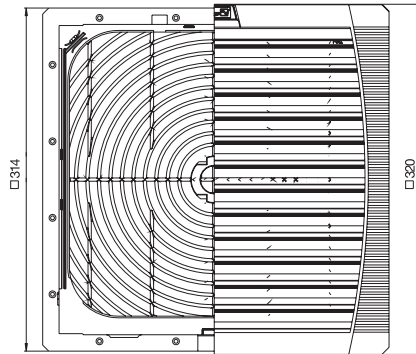


Mechanical Data:

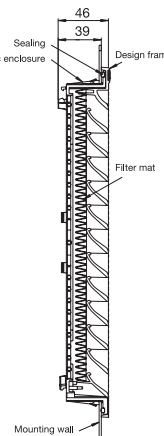
PF 65000, PF 66000,
PF 67000



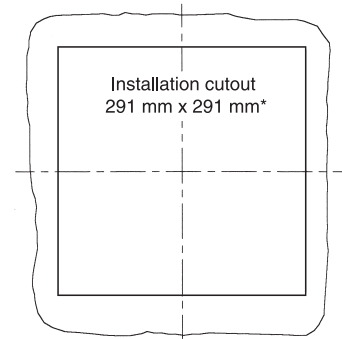
PF 65000, PF 66000,
PF 67000 + PFA 60000



PFA 60000



PF 65000, PF 66000,
PF 67000 + PFA 60000



Climate Control

Supplementary data	PF 65000	PF 66000	PF 67000
Operating temperature	- 15 °C (- 5 °F) to / bis + 55 °C (+ 131 °F)		
Storage temperature	- 20 °C (- 4 °F) to / bis + 70 °C (+ 158 °F)		
Max. relative humidity	90%		
System of protection	NEMA Type 12, IP 55 (EN 60 529), when installed as specified		
Basic Accessories	parts kit filter mat, user manual radiant heater, fan heater, thermostat, hygrostat		
* Tolerance installation cutout	177 + 1/0 thickness of material to 2 mm 178 + 1/0 thickness of material > 2 mm < 3 mm		

Technical references and CAD downloads available at www.hammondmfg.com

All dimensions in inches unless specified otherwise

Quality Products. Service Excellence.