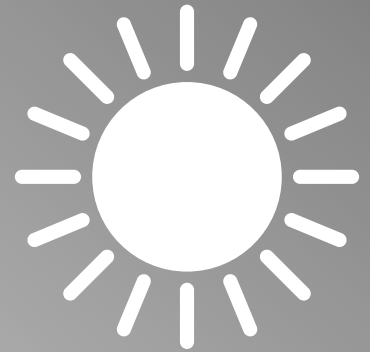


HAMMOND  
MANUFACTURING™



# Non-Metallic Enclosures

Hammond Manufacturing Company Limited  
394 Edinburgh Rd North, Guelph, ON N1H 1E5  
CANADA

Tel: (519) 822 - 2960

Fax: (519) 822 - 0715

Les Fabrications Hammond (Quebec) Inc.  
4240 Rue Seré, St. Laurent, Quebec H4T 1A6  
CANADA

Tel: (514) 343-9010

Fax: (514) 343-9941

Hammond Manufacturing Company Inc.  
475 Cayuga Rd., Cheektowaga, NY 14225  
USA

Tel: (716) 630-7030

Fax: (716) 630-7042



## Corrosion Resistant Enclosures

**Corrosion Resistant**



Polycarbonate Enclosures - NEMA 4X  
1554 Series .....4



Polycarbonate Modul Enclosures - NEMA 4X  
- PB Series - Clear Cover .....6



Polycarbonate Modul Enclosures - NEMA 4X  
- PB Series - Solid Cover .....8

Polycarbonate Modul Enclosures - NEMA 4X  
- PB Series Accessories .....10



Polyester Modul Enclosures - NEMA 4X  
R130 Series .....12



Polyester Modul Enclosures - NEMA 4X  
1590ZGRP Series .....14



Polyester Modul Enclosures - NEMA 4X PJ  
Series  
Lift Off and Hinged Screw Cover .....16



Polyester Modul Enclosures - NEMA 4X PJ  
Series  
Snap and Twist Latch Hinged Cover .....18



Polyester Modul Enclosures - NEMA 4X PJ  
Series - Lift-Off, Hinged, Snap Latch, Twist  
Latch, Window Door .....20



Polyester Modul Enclosures - NEMA 4X PJ  
Series - Raised Lid Lift-Off, Hinged Cover,  
Window Door .....22



Polyester Modul Enclosures - NEMA 4X PJ  
Series - Raised Lid, Snap Latch, Hinged Cover,  
Solid and Window Door .....24



Polyester Modul Enclosures - NEMA 4X PJ  
Series - Raised Lid, Twist Latch, Hinged Cover,  
Solid and Window Door .....26



Polyester Enclosures - NEMA 4X  
PJU Series .....28



Polyester Modul Enclosures - NEMA 4X PJ  
Series Accessories .....37



Polyester Enclosures - NEMA 4X  
P JW Series .....38



Polyester Enclosures - NEMA 4X PJFS Series  
Continuous Hinge Freestanding .....40



Polyester Modular Enclosures - NEMA 4X  
PW Series - Wallmount Enclosures .....42

Polyester Modul Enclosures - NEMA 4X PW  
Series Accessories .....44

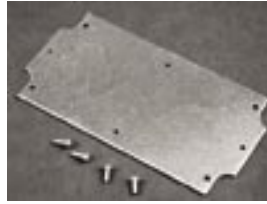


Polyester Modular Enclosures - NEMA 4X  
PHW Series - Heavy Duty  
Wallmount Enclosures .....48

CATNM-N06

# Polycarbonate Enclosure - NEMA 4x

## 1554 Series



Optional Inner Panel



Corrosion Resistant

Junction Boxes/JIC Enclosures

### Standards

- IP66
- NEMA 4, 4X, 12 & 13
- UL94 5V

### Construction

- Electronic instrument enclosures, designed for mounting printed circuit boards or DIN rail mounted components.
- The polycarbonate material carries a UL flammability rating of UL94 5V and is suitable for outdoor use.
- Lid and mounting holes are located outside of the gasket seal.
- Lid is secured with self capturing M4 stainless steel machine screws (included), threaded into integral stainless steel bushings (for repetitive assembly & disassembly).
- Heavy duty 16 gauge galvanized steel panels available (see chart)
- All stainless steel hardware to avoid corrosion caused by dissimilar metals.
- Gasket is factory poured using high temperature U.L. listed - silicone rubber gasket material.
- Gasketed lid with two piece "tongue & groove" construction provides protection against access of oil, dust and water.
- Internal DIN rail mounting tabs molded in all except the 1554CGY & 1554C2GY
- Threaded (M3) integral brass inserts & standoffs designed for M3.5 or #6 self tapping screws for P.C. board or inner panel mounting in all but the smallest size (1554BGY & 1554B2GY)
- Vertical P.C. card guides (for 1.5 mm thick P.C. boards) are molded in all but the smallest size (1554BGY & 1554B2GY)

### Finish

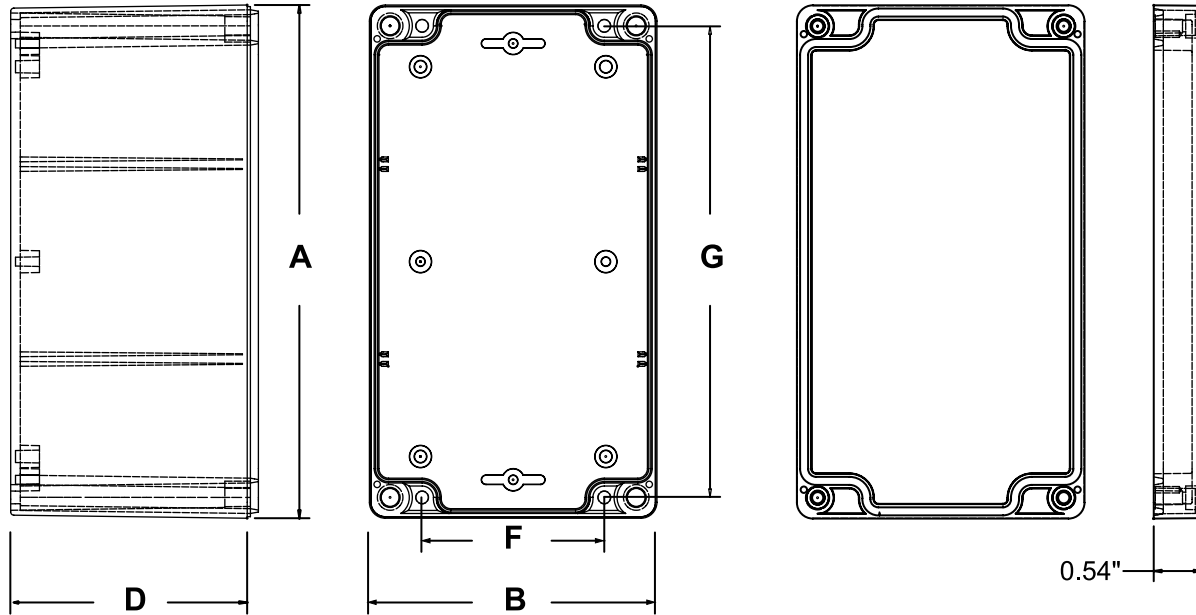
- Color is light gray (RAL 7035)

### Optional Inner Panel

- Heavy duty panels for mounting components.
- Galvanized 16 ga. steel.
- Includes mounting hardware.

# Polycarbonate Enclosure - NEMA 4x

## 1554 Series



**Body View**

**Lid View**

**Corrosion Resistant  
Junction Boxes/JIC Enclosures**

Part Number		Units	Overall Depth							Optional Inner Panel Part No.	Units	Dimensions	
Clear Cover	Solid Cover		A	B	C	D	E	F	Length			Width	
1554B2GYCL	1554B2GY	inch mm	2.6 65	2.6 65	1.6 40	0.98 25	2.05 52	1.26 32	1554BPL	inch mm	2.2 56	2.2 59	
1554E2GYCL	1554E2GY	inch mm	3.5 90	3.5 90	2.4 60	1.77 45	3.03 77	2.24 57	1554EPL	inch mm	3.1 79	3.1 79	
1554C2GYCL	1554C2GY	inch mm	4.7 120	2.6 65	1.6 40	0.98 25	2.05 52	3.43 87	1554CPL	inch mm	4.4 112	2.1 53	
1554D2GYCL	1554D2GY	inch mm	4.7 120	2.6 65	2.4 60	1.77 45	2.05 52	3.43 87	1554CPL	inch mm	4.4 112	2.1 53	
1554F2GYCL	1554F2GY	inch mm	4.7 120	3.5 90	2.4 60	1.77 45	2.68 68	4.21 107	1554FPL	inch mm	4.3 109	3.1 79	
1554G2GYCL	1554G2GY	inch mm	4.7 120	3.5 90	3.2 80	2.56 65	2.68 68	4.21 107	1554FPL	inch mm	4.3 109	3.1 79	
1554N2GYCL	1554N2GY	inch mm	4.7 120	4.7 120	2.4 60	1.77 45	3.43 87	4.21 107	1554NPL	inch mm	4.25 108	4.2 107	
1554P2GYCL	1554P2GY	inch mm	4.7 120	4.7 120	3.15 80	2.56 65	3.43 87	4.21 107	1554NPL	inch mm	4.25 108	4.2 107	
1554J2GYCL	1554J2GY	inch mm	6.3 160	3.5 90	2.4 60	1.77 45	2.24 57	5.79 147	1554JPL	inch mm	5.8 147	3 76	
1554K2GYCL	1554K2GY	inch mm	6.3 160	3.5 90	3.5 90	2.95 75	2.24 57	5.79 147	1554JPL	inch mm	5.8 147	3 76	
1554R2GYCL	1554R2GY	inch mm	6.3 160	6.3 160	2.4 60	1.77 45	5.00 127	5.79 147	1554RPL	inch mm	5.94 151	5.8 147	
1554S2GYCL	1554S2GY	inch mm	6.3 160	6.3 160	3.5 90	2.95 75	5.00 127	5.79 147	1554RPL	inch mm	5.94 151	5.8 147	
1554H2GYCL	1554H2GY	inch mm	7.1 180	4.7 120	2.4 60	1.77 45	3.43 87	6.58 167	1554HPL	inch mm	6.6 168	4.2 107	
1554T2GYCL	1554T2GY	inch mm	7.1 180	4.7 120	3.5 90	2.95 75	3.43 87	6.58 167	1554HPL	inch mm	6.6 168	4.2 107	
1554U2GYCL	1554U2GY	inch mm	7.9 200	4.7 120	3.5 90	2.95 75	3.43 87	7.37 187	1554UPL	inch mm	7.6 193	4.2 107	
1554V2GYCL	1554V2GY	inch mm	9.5 240	6.3 160	3.5 90	2.95 75	3.43 87	7.37 187	1554VPL	inch mm	9.1 231	5.7 145	

Technical references and DXF downloads available at [www.hamfmfg.com](http://www.hamfmfg.com)

All dimensions in inches unless specified otherwise

**Quality Enclosures. Service Excellence.**

# Polyester Modular Enclosures - NEMA 4X

## PB Series - Clear Cover

Corrosion Resistant



Panel  
Sold  
Separately



### Application

- Designed for use as insulated instrument enclosures, electric, control housings, electrical junction boxes or terminal wiring enclosures.
- Transparent cover provides visibility of inner components without exposure to the environment.
- Provides outstanding insulation and protection where equipment may be hosed down or be very wet.
- Ideal in applications with high temperatures or highly corrosive environments.
- High UV resistance is ideal for outdoor installations.

### Standards

- UL/cUL 508 Type 1, 2, 3, 4, 4X, 12 & 13
- **Complies with**
  - NEMA 1, 2, 3, 3R, 3S, 4, 4X, 12, 13
  - IEC 60529, IP65

### Construction

- Base is constructed of hot molded fiberglass reinforced polyester and has a clear polycarbonate lid.
- Self-extinguishing materials.
- Sealable slotted screws are provided to close the enclosure.
- M6 screws are provided for attaching inner panels or other equipment.
- Fully gasketed lids.
- Operating temperatures between -30°C and 120°C (-22°F to 248°F).
- Dielectric rigidity > 5kV insulating resistance > 5 MW.

### Finish

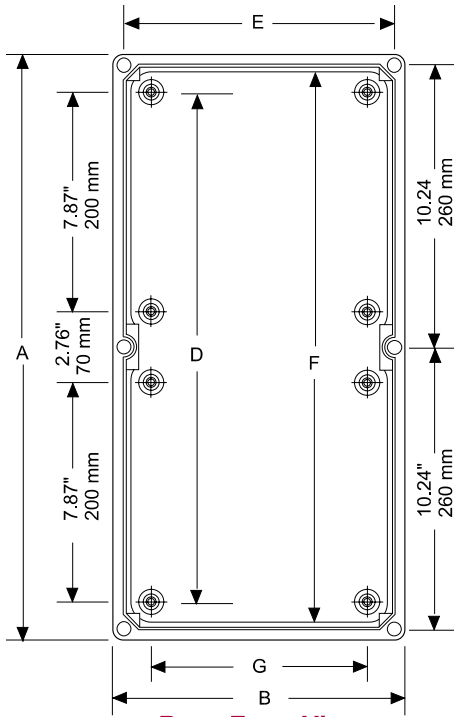
- Fiberglass polyester base is finished in RAL 7032 beige.
- Optional inner panels are available in white powder coated finished steel or unfinished aluminum.

### Accessories

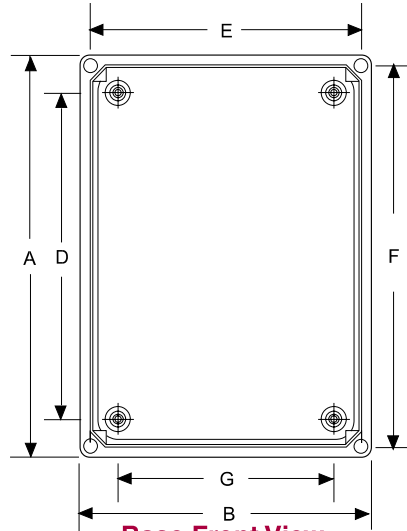
- External hinges
- Mounting feet
- Painted steel inner panels
- PB replacement screws
- Unfinished aluminum inner panels

**Polyester Modular Enclosures - NEMA 4X**  
PB Series - Clear Cover

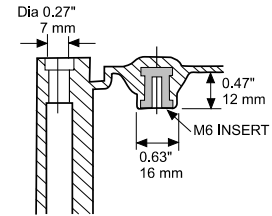
**Corrosion Resistant**



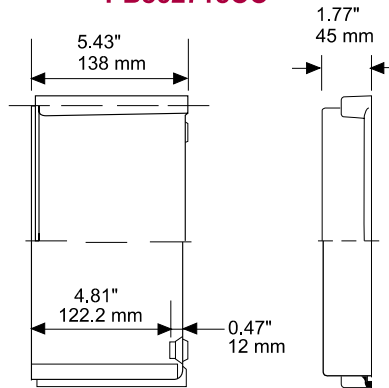
**Base Front View**  
PB542718CC  
PB543618CC



**Base Front View**  
PB271818CC,  
PB272718CC,  
PB362718CC

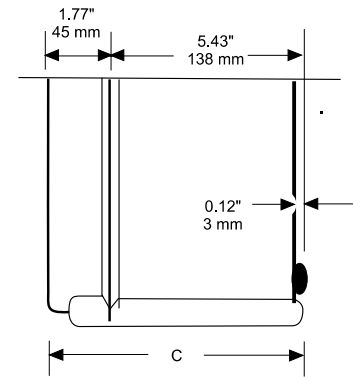


**Cross Section of**  
**Base Inside Corner**  
**with M6 Insert**



**Base Side**  
**View**

**Lid Side**  
**View**



**Assembled**  
**Side View**

Clear Lid Part No.	Overall Dimensions								Opt. Steel Inner Panel <sup>1</sup>	Inner Panel Dimensions	Ship Wt. lbs
	A	B	C	D	E	F	G				
PB271818CC	inch mm	10.6 270	7.1 180	7.1 180	7.9 200	6.3 159	9.8 249	4.3 110	PBP2718	9.06 x 5.51 230 x 140	3
PB272718CC	inch mm	10.6 270	10.6 270	7.1 180	7.9 200	9.8 249	9.8 249	7.9 200	PBP2727	9.06 x 9.06 230 x 230	4
PB362718CC	inch mm	14.2 360	10.6 270	7.1 180	11.4 290	9.8 249	13.3 339	7.9 200	PBP3627	12.60 x 9.06 320 x 230	4
PB542718CC	inch mm	21.3 540	10.6 270	7.1 180	18.5 470	9.8 249	20.4 519	7.9 200	PBP5427	19.69 x 9.06 500 x 230	6
PB543618CC	inch mm	21.3 540	14.2 360	7.1 180	18.5 470	13.3 339	20.4 519	11.4 290	PBP5436	19.69 x 12.60 500 x 320	10

<sup>1</sup> For aluminum panel...see page 118.

Inches are for reference only. Use metric for precise measurements.

# Polyester Modular Enclosures - NEMA 4X

## PB Series - Solid Cover



Panel  
Sold  
Separately



Corrosion Resistant Junction Boxes/JIC Enclosures

### Application

- Designed for use as insulated instrument enclosures, electric, control housings, electrical junction boxes or terminal wiring enclosures.
- Provides outstanding insulation and protection where equipment may be hosed down or be very wet.
- Ideal in applications with high temperatures or highly corrosive environments.
- High UV resistance ideal for outdoor installations.

### Standards

- UL/cUL 508 Type 1, 2, 3, 4, 4X, 12 & 13
- **Complies with**
  - NEMA 1, 2, 3, 3R, 3S, 4, 4X, 12, 13
  - IEC 60529, IP65

### Construction

- Bases and lids are constructed of hot molded fiberglass reinforced polyester.
- Self-extinguishing materials.
- Sealable slotted screws are provided to close the enclosure.
- M6 screws are provided for attaching inner panels or other equipment.
- Fully gasketed lids.
- Operating temperatures between -30°C and 150°C (-22°F to 302°F).
- Dielectric rigidity > 5kV insulating resistance > 5 MW.
- For corrosion resistance information, please refer to table in the Technical Information section... see page 403.

### Finish

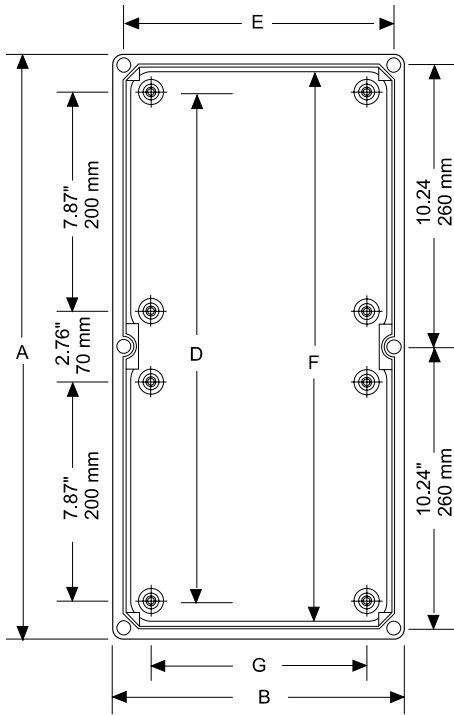
- Fiberglass polyester material is finished in RAL 7032 beige.
- Optional inner panels are available in white powder coated finished steel or unfinished aluminum.

### Accessories

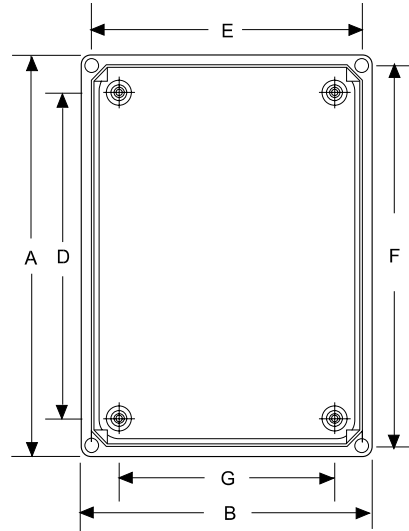
- External hinges
- Mounting feet
- Painted steel inner panels
- PB replacement screws
- Unfinished aluminum inner panels



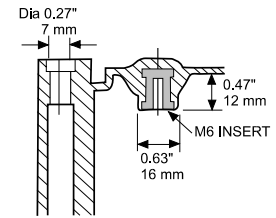
**Polyester Modular Enclosures - NEMA 4X**  
PB Series - Solid Cover



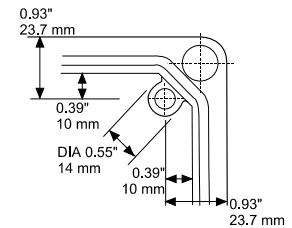
**Base Front View  
PB542718**



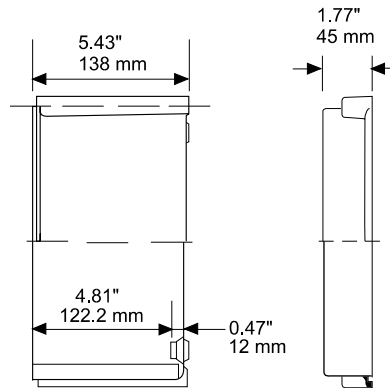
**Base Front View  
PB271818, PB272718,  
PB362718**



**Cross Section of  
Base Inside Corner  
with M6 Insert**

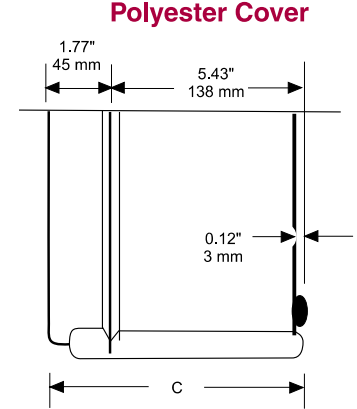


**Typical Corner View  
Polyester Cover**



**Base Side  
View**

**Lid Side  
View**



**Assembled  
Side View**

**Corrosion Resistant Junction Boxes/JIC Enclosures**

Solid Lid Part No.	Units	Overall Dimensions							Opt. Steel Inner Panel <sup>1</sup>	Inner Panel Dimensions	Ship Wt. lbs
		A	B	C	D	E	F	G			
PB271818	inch	10.6	7.1	7.1	7.9	6.3	9.8	4.3	PBP2718	9.06 x 5.51 230 x 140	3
	mm	270	180	180	200	159	249	110			
PB272718	inch	10.6	10.6	7.1	7.9	9.8	9.8	7.9	PBP2727	9.06 x 9.06 230 x 230	5
	mm	270	270	180	200	249	249	200			
PB362718	inch	14.2	10.6	7.1	11.4	9.8	13.3	7.9	PBP3627	12.60 x 9.06 320 x 230	5
	mm	360	270	180	290	249	339	200			
PB542718	inch	21.3	10.6	7.1	18.5	9.8	20.4	7.9	PBP5427	19.69 x 9.06 500 x 230	7
	mm	540	270	180	470	249	519	200			

<sup>1</sup> For aluminum panel...see page 118.

Inches are for reference only. Use metric for precise measurements.

# Polyester Modular Enclosures - NEMA 4X

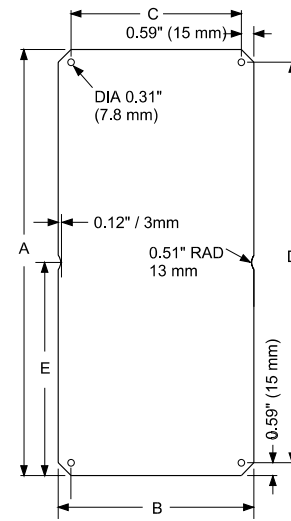
## PB Series - Accessories

Corrosion Resistant Junction Boxes/JIC Enclosures



### PB Series Inner Panel

- Available in steel or unfinished aluminum.
- 14 gauge steel panels are finished in white powder coating.
- Aluminum panels are 0.080" (2.03 mm) unfinished.
- Hardware to mount inner panel is included with PB series enclosures.



Steel Panel Part No.	Aluminum Panel	Fits PB Enclosure		A	B	C	D	E
<b>PBP2718</b>	<b>PBPA2718</b>	PB271818	inch	9.06	5.51	4.33	7.88	—
		PB271818CC	mm	230	140	110	200	
<b>PBP2727</b>	<b>PBPA2727</b>	PB272718	inch	9.06	9.06	7.88	7.88	—
		PB272718CC	mm	230	230	200	200	
<b>PBP3627</b>	<b>PBPA3627</b>	PB362718	inch	12.60	9.06	7.88	11.42	—
		PB362718CC	mm	320	230	200	290	
<b>PBP5427</b>	<b>PBPA5427</b>	PB542718	inch	19.69	9.06	7.88	18.51	9.84
		PB542718CC	mm	500	230	200	470	250
<b>PBP5436</b>	<b>PBPA5436</b>	PB543618	Inch	19.69	12.60	11.42	18.51	9.84
		PB543618CC	mm	500	320	290	470	250



### PB Series External Hinges

- Fit all PB series enclosures sizes.
- External hinges have a 180° opening.
- Polyamide and fiberglass construction.
- Maintains IP rating when installed.
- Packaged in quantities of two.
- Easily installed in the field.



Part No.	PBEH
----------	------

## Polyester Modular Enclosures - NEMA 4X

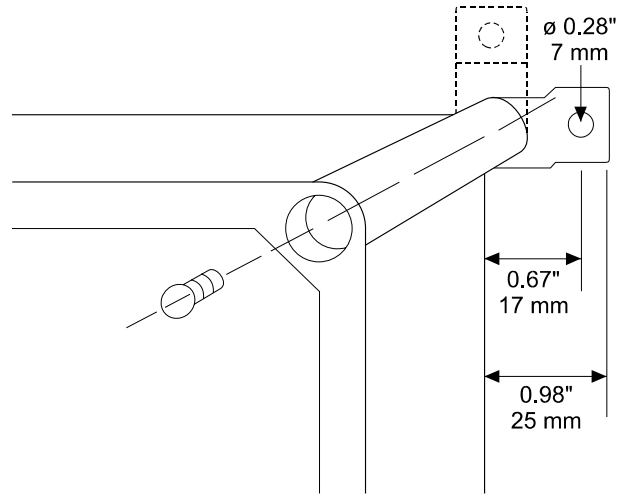
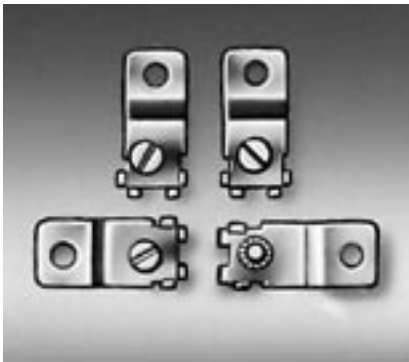
### PB Series - Accessories



### PB Series Mounting Feet

- Constructed of stainless steel.
- Fits all sizes of PB series enclosures.
- Packaged in quantities of four.
- Can be mounted horizontally or vertically.
- Easily installed in the field.

Part No. **PBMF**



**Corrosion Resistant**



### PB Replacement Screws

- Fit all PB series enclosure sizes.
- Replacement screws in case the original screws are lost or broken.
- Packaged in quantities of eight.

Part No. **PBSC8**

**Junction Boxes/JIC Enclosures**

# Polyester Modular Enclosures - NEMA 4X

## R130 Series Enclosures



Corrosion Resistant

Junction Boxes/JIC Enclosures

### Application

- Designed for use as instrument enclosures, electrical junction boxes or terminal wiring enclosures.
- Provide outstanding protection against dust, oil and pressurized water.
- Impervious to atmospheric and marine corrosion.

### Standards

- **Complies with**
  - NEMA 1, 2, 3, 3R, 4, 4X, 5, 12, 13
  - IEC 60529, IP66
  - VO Flammability Rating

### Construction

- Two piece molded fiberglass reinforced polyester construction.
- Captive polyfibre cover screws are provided with a standard slot head.
- Cover screws fasten into pre-threaded holes.
- The threaded cover screw holes also provide single channel access to rear mounting positions.
- Recessed neoprene gasket with tongue and groove construction is oil and petroleum resistant.
- Threaded stainless steel inserts provide for internal mounting.
- Spring loaded stainless steel hinge pins are standard, allowing for quick lid removal.

### Finish

- Light beige RAL 7032, Pantone 413

### Accessories

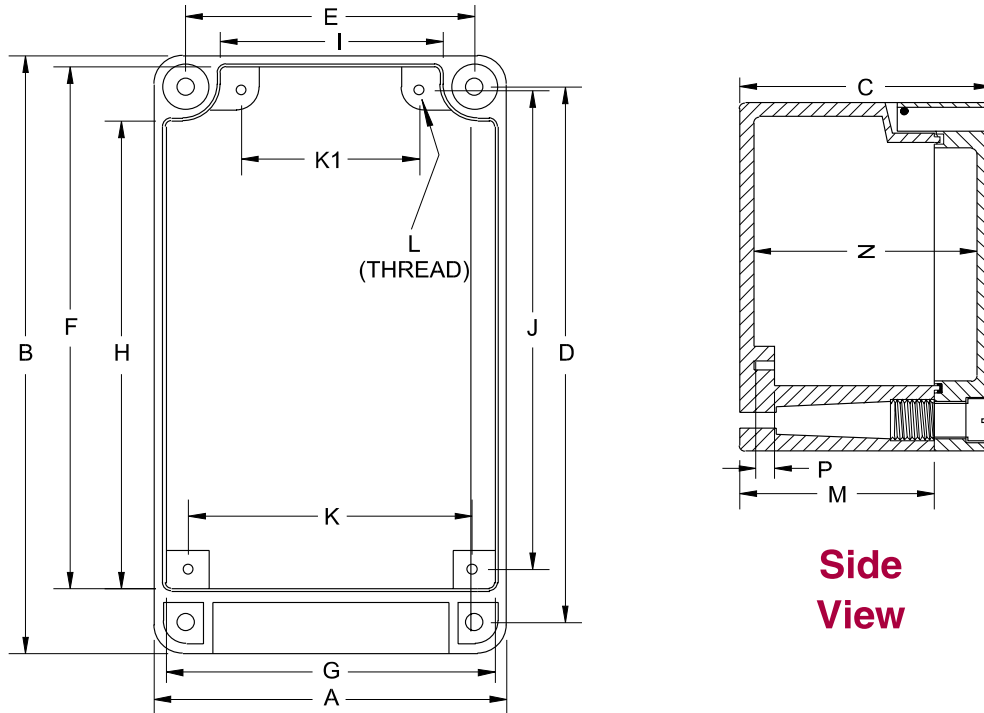
- External mounting feet
- Inner panels
- Cross rails
- Bonded acrylic glass windows are available on special request.

### Accessories

Part No.	External Feet (Set of 4) Stainless Steel	Inner Panel (1.5 mm) Steel, Zinc Plated	Cross Rail (Pair) (Low Bottom Part)
R130-120-000	R501-000-001	R530-120-000	R531-120-000
R130-122-000	R501-000-001	R530-122-000	R531-120-000
R130-124-000	R501-000-001	R530-124-000	R531-120-000
R130-160-000	R501-000-001	R530-160-000	R531-160-000
R130-162-000	R501-000-001	R530-162-000	R531-160-000
R130-164-000	R501-000-001	R530-164-000	R531-160-000
R130-200-000	R501-000-001	R530-200-000	R531-200-000
R130-202-000	R501-000-001	R530-202-000	R531-200-000

# Polyester Modular Enclosures - NEMA 4X

## R130 Series Enclosures



Corrosion Resistant

Junction Boxes/JIC Enclosures

Part No.	Series	Units	Width			Length			Height			K	K1	L	M	N	P
			A	B	C	D	E	F	G	H	I						
R130-120-000	PD-120	inch	4.72	5.51	3.94	4.65	3.86	4.33	4.25	3.62	2.81	3.82	3.74	2.28	2.76	3.62	0.28
		mm	120	140	100	118	98	110	108	92	71.5	97	95	58	M6	70	92
R130-122-000	PD-122	inch	4.72	7.87	3.94	7.01	3.86	6.69	4.25	5.98	2.81	6.18	3.74	2.28	2.76	3.62	0.28
		mm	120	200	100	178	98	170	108	152	71.5	157	95	58	M6	70	92
R130-124-000	PD-124	inch	4.72	10.24	3.94	9.37	3.86	9.06	4.25	8.35	2.81	8.54	3.74	2.28	2.76	3.62	0.28
		mm	120	260	100	238	98	230	108	212	71.5	217	95	58	M6	70	92
R130-160-000	PD-160	inch	6.30	7.09	3.94	6.22	5.43	5.91	5.83	5.20	4.39	5.39	5.31	3.86	2.76	3.62	0.28
		mm	160	180	100	158	138	150	148	132	111.5	137	135	98	M6	70	92
R130-162-000	PD-162	inch	6.30	10.24	3.94	9.37	5.43	9.06	5.83	8.35	4.39	8.54	5.31	3.86	2.76	3.62	0.28
		mm	160	260	100	238	138	230	148	212	111.5	217	135	98	M6	70	92
R130-164-000	PD-164	inch	6.30	13.39	3.94	12.52	5.43	12.20	5.83	11.50	4.39	11.69	5.31	3.86	2.76	3.62	0.28
		mm	160	340	100	318	138	310	148	292	111.5	297	135	98	M6	70	92
R130-200-000	PD-200	inch	7.87	8.66	4.72	7.80	7.01	7.46	7.38	6.73	5.94	6.97	6.89	5.43	3.54	4.41	0.28
		mm	200	220	120	198	178	189.5	187.5	171	151	177	175	138	M6	90	112
R130-202-000	PD-202	inch	7.87	12.60	4.72	11.73	7.01	11.40	7.38	10.67	5.94	10.91	6.89	5.43	3.54	4.41	0.28
		mm	200	320	120	298	178	289.5	187.5	271	151	277	175	138	M6	90	112

## Polyester Enclosure - NEMA 4x 1590ZGRP Series



Corrosion Resistant

Junction Boxes/JIC Enclosures

### Application

- Designed for use as instrument enclosures, electrical junction boxes or terminal wiring enclosures.
- Provide outstanding protection against dust, oil and pressurized water.
- Impervious to atmospheric and marine corrosion.
- Ideal in applications with high temperatures or highly corrosive environments.

### Standard

- UL/cUL 508 Type 1, 2, 3, 4, 4X, 12 & 13
- Complies with**
- NEMA 1, 2, 3, 4, 4X, 12, 13
  - IEC 60529, IP65

### Construction

- Two piece molded fiberglass reinforced polyester construction.
- Captive polyfibre cover screws are provided with a standard slot head.
- Cover screws fasten into pre-threaded holes.
- The threaded cover screw holes also provide single channel access to rear mounting positions.
- Recessed neoprene gasket with tongue and groove construction is oil and petroleum resistant.
- Threaded stainless steel inserts provide for internal mounting.
- Spring loaded stainless steel hinge pins are standard, allowing for quick lid removal.

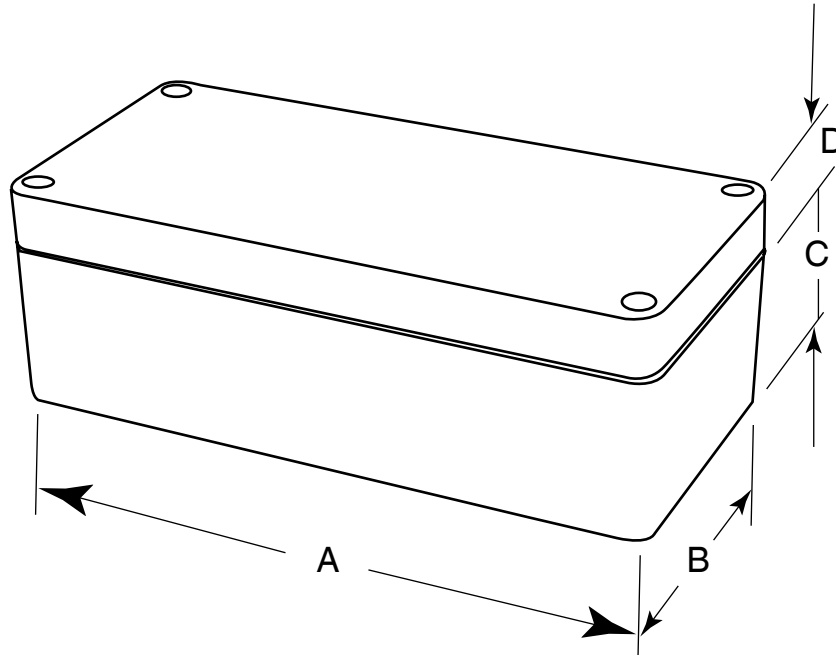
### Finish

- Grey RAL 7000, Pantone 413

### Accessories

- Inner panels

# Polyester Enclosure - NEMA 4x 1590ZGRP Series



Corrosion Resistant

Junction Boxes/JIC Enclosures

Part Number	Units	Dimensions				Optional Inner Panel Part Number
		A	B	C	D	
1590ZGRP081	inch	3.15	2.95	1.57	0.59	1590ZGRP081PL
	mm	80	75	40	15	
1590ZGRP082	inch	4.33	2.95	1.57	0.59	1590ZGRP082PL
	mm	110	75	40	15	
1590ZGRP083	inch	6.30	2.95	1.57	0.59	1590ZGRP083PL
	mm	160	75	40	15	
1590ZGRP121	inch	4.80	4.72	2.56	0.98	1590ZGRP121PL
	mm	122	120	65	25	
1590ZGRP123	inch	8.66	4.72	2.76	0.79	1590ZGRP123PL
	mm	220	120	70	20	
1590ZGRP131	inch	7.48	2.95	1.57	0.59	1590ZGRP131PL
	mm	190	75	40	15	
1590ZGRP161	inch	6.30	6.30	2.76	0.79	1590ZGRP161PL
	mm	160	160	70	20	
1590ZGRP162	inch	10.24	6.30	2.76	0.79	1590ZGRP162PL
	mm	260	160	70	20	
1590ZGRP233	inch	9.84	7.87	3.74	0.98	1590ZGRP233PL
	mm	250	200	95	25	
1590ZGRP234	inch	10.04	9.84	3.74	0.98	1590ZGRP234PL
	mm	255	250	95	25	
1590ZGRP235	inch	10.04	9.84	3.74	2.56	1590ZGRP234PL
	mm	255	250	95	65	
1590ZGRP243	inch	15.75	9.84	3.74	0.98	1590ZGRP243PL
	mm	400	250	95	25	
1590ZGRP263	inch	23.62	9.84	3.74	0.98	1590ZGRP263PL
	mm	600	250	95	25	

# Polyester Modular Enclosures - NEMA 4X

## PJ Series - Lift Off and Hinged Screw Cover



Panel  
Sold  
Separately



Corrosion Resistant

Junction Boxes/JIC Enclosures

### Application

- Designed for use as instrument enclosures, electric, hydraulic or pneumatic control housings, electrical junction boxes or terminal wiring enclosures.
- Provides outstanding insulation and protection where equipment may be hosed down or be very wet.
- Ideal in applications with high temperatures or highly corrosive environments.

### Standards

- UL 508 Type 1, 2, 3, 4, 4X, 12 and 13
- CSA Type 1, 2, 3, 4, 4X, 12 and 13
- **Complies with**
  - NEMA Type 1, 2, 3, 4, 4X, 12 and 13
  - IEC 529, IP66

### Construction

- Molded fiberglass polyester enclosure with matching cover is easily punched, cut, or drilled.
- Enhanced UV inhibitors protect against outdoor weathering.
- Standard JIC sizes under 18" x 16".
- 10-32 threaded brass inserts are provided for optional inner panel or terminal kit mounting. Mounting hardware included.
- Cover is fastened with captive stainless steel screws in threaded brass inserts.
- Captive oil resistant gasket provides a positive seal.
- Threaded brass inserts are provided for mounting feet to the rear of the enclosure.
- Stainless steel mounting brackets and hardware are provided for mounting feet to the rear of the enclosure.
- Operating temperatures between 130°C and -40°C (266°F to -40°F).
- Impact index of 6.78J (5 ft/lb).
- For corrosion resistance information, please refer to table in the Technical Information section... see page 403.

### Finish

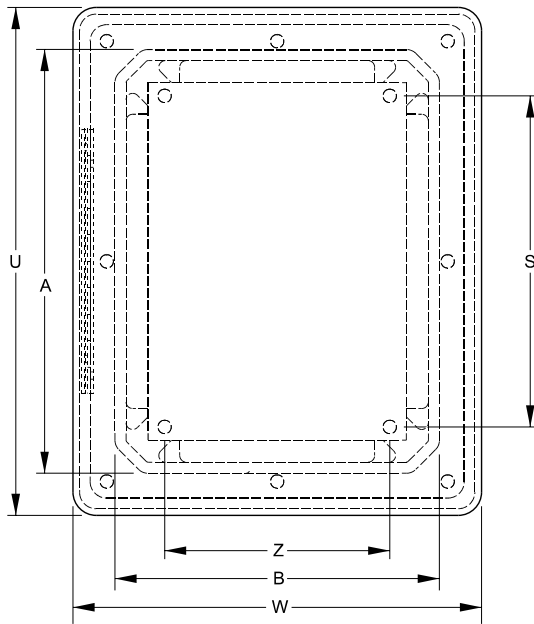
- Fiberglass polyester material has a gray finish.
- Optional inner panels are available in white powder coated finished steel, unfinished aluminum, or Fiberglass.

### Accessories

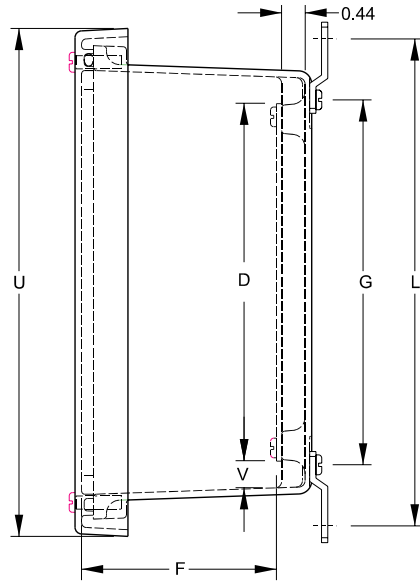
- Painted steel inner panels
- Unfinished aluminum inner panels
- Fiberglass inner panels
- Terminal kit assemblies
- Viewing windows



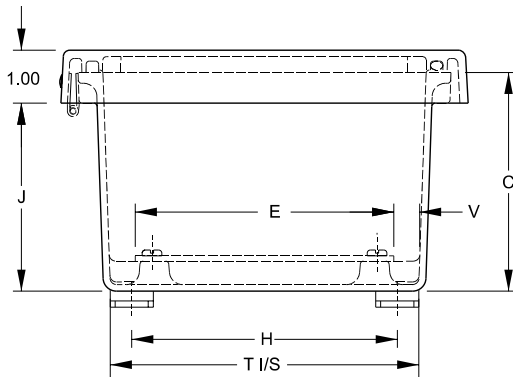
**Polyester Modular Enclosures - NEMA 4X**  
PJ Series - Lift Off and Hinged Screw Cover



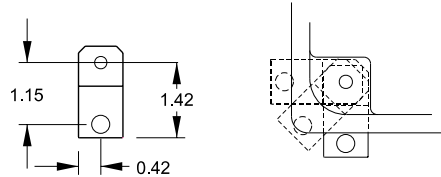
**Top View**  
**Hinged Screw Cover**



**Side View**



**Front View**



**Optional Mounting Feet Locations**

**Thermal Index**  
130°C to -40°C (266°F to -40°F)  
**Impact Index**  
6.78J (5 ft/lb)

**Corrosion Resistant** Junction Boxes/JIC Enclosures

Lift Off Cover Part No.	Hinged Cover Part No.	Enclosure Dimensions			Panel Dimensions				Centers						Cover Dimensions			Opt Steel Panel Part No. <sup>1</sup>	Ship Wt. Lbs.
		A	B	C	D	E	F	G	H	J	S	Z	L	T	V	U	W		
PJ664	PJ664H	6.10	6.10	4.13	4.88	4.88	3.76	5.01	5.01	3.52	4.25	4.25	7.32	5.83	0.49	7.69	7.69	14R0505	4
PJ864	PJ864H	8.00	6.12	4.13	6.75	4.88	3.68	6.89	5.01	3.47	6.25	4.25	9.19	5.85	0.50	9.59	7.71	14R0705	4
PJ1084	PJ1084H	10.13	8.26	4.13	8.75	6.88	3.68	8.89	7.01	3.47	8.25	6.25	11.19	7.85	0.50	11.77	9.90	14R0907	6
PJ1086	PJ1086H	10.13	8.26	6.13	8.75	6.88	5.68	8.89	7.01	5.47	8.25	6.25	11.19	7.85	0.50	11.77	9.90	14R0907	6
PJ12106	PJ12106H	12.13	10.26	6.13	10.75	8.88	5.68	10.89	9.01	5.47	10.25	8.25	13.19	9.85	0.50	13.77	11.90	14R1109	8
PJ14126	PJ14126H	14.13	12.26	6.13	12.75	10.88	5.68	12.89	11.01	5.47	12.25	10.25	15.19	11.85	0.50	15.73	13.85	14R1311	11
PJ16148	PJ16148H	16.27	14.40	8.13	14.75	12.88	7.68	14.89	13.01	7.47	14.25	12.25	17.19	13.71	0.50	17.87	15.99	14R1513	12
PJ18168	PJ18168H	18.40	16.40	8.13	16.88	14.88	7.68	16.97	14.97	7.47	16.25	14.25	19.28	15.72	0.50	20.00	18.00	P1868	17
PJ20168	PJ20168H	20.00	16.00	8.13	18.44	14.44	7.68	18.54	14.54	7.47	17.81	13.81	20.84	15.31	0.52	21.59	17.59	P2068	19

<sup>1</sup>For aluminum and fiberglass panels...see page 130.

# Polyester Modular Enclosures - NEMA 4X

## PJ Series - Snap & Twist Latch Hinged Cover



Twist Latch Detail



Snap Latch Detail

**Panel Sold Separately**



### Construction...Cont'd

- 10-32 threaded brass inserts are provided for optional inner panel or terminal kit mounting. Mounting hardware is included.
- Stainless steel butterfly type "twist latch" door fasteners.
- Stainless steel draw type "snap latch" door fasteners.
- Door fasteners include a provision for padlocking.
- Twist latch enclosures are available with bonded polycarbonate viewing windows.
- Door is supported with a continuous stainless steel hinge.
- Captive oil resistant gasket provides a positive seal.
- Threaded brass inserts are provided for mounting feet to the rear of the enclosure.
- Stainless steel mounting brackets and hardware are provided for mounting to the rear of the enclosure.
- Operating temperatures between 130°C and -40°C (266°F to -40°F).
- Impact index of 6.78J (5 ft/lb). For corrosion resistance information, please refer to table in the Technical Information section... see page 399.

### Finish

- Fiberglass polyester material has a gray finish.
- Optional inner panels are available in white powder coated finished steel, unfinished aluminum, or Fiberglass.

### Accessories

- Painted steel inner panels
- Unfinished aluminum inner panels
- Fiberglass inner panels
- Terminal kit assemblies
- Viewing windows

### Application

- Designed for use as instrument enclosures, electric, hydraulic or pneumatic control housings, electrical junction boxes or terminal wiring enclosures.
- Provides outstanding insulation and protection where equipment may be hosed down or be very wet.
- Ideal in applications with high temperatures or highly corrosive environments.

### Standards

- UL 508 Type 1, 2, 3, 4, 4X, 12, & 13
- CSA Type 1, 2, 3, 4, 4X, 12, & 13
- **Complies with**
  - NEMA Type 1, 2, 3, 4, 4X, 12, & 13
  - IEC 529, IP66

### Construction

- Molded fiberglass polyester enclosure with matching cover is easily punched, cut, or drilled.
- Enhanced UV inhibitors protect against outdoor weathering.

### Snap Latch

Part No.	Overall Dimensions			Panel Dimensions				Centers						Cover Dimensions			Opt. Steel Panel Part No.	Ship Weight (lbs)
	A	B	C	D	E	F	G	H	J	S	Z	L	T	V	U	W		
<b>PJ664L</b>	6.10	6.10	4.18	4.88	4.88	3.76	5.01	5.01	3.52	4.25	4.25	7.32	5.83	0.49	7.69	7.69	<b>14R0505</b>	4
<b>PJ864L</b>	8.00	6.12	4.13	6.75	4.88	3.68	6.89	5.01	3.47	6.25	4.25	9.19	5.85	0.50	9.59	7.71	<b>14R0705</b>	4
<b>PJ1084L</b>	10.13	8.26	4.13	8.75	6.88	3.68	8.89	7.01	3.47	8.25	6.25	11.19	7.85	0.50	11.77	9.90	<b>14R0907</b>	6
<b>PJ1086L</b>	10.13	8.26	6.13	8.75	6.88	5.68	8.89	7.01	5.47	8.25	6.25	11.19	7.85	0.50	11.77	9.90	<b>14R0907</b>	6
<b>PJ12106L</b>	12.13	10.26	6.13	10.75	8.88	5.68	10.89	9.01	5.47	10.25	8.25	13.19	9.85	0.50	13.77	11.90	<b>14R1109</b>	8
<b>PJ14126L</b>	14.13	12.26	6.13	12.75	10.88	5.68	12.89	11.01	5.47	12.25	10.25	15.19	11.85	0.50	15.73	13.85	<b>14R1311</b>	11
<b>PJ16148L</b>	16.27	14.40	8.13	14.75	12.88	7.68	14.89	13.01	7.47	14.25	12.25	17.19	13.71	0.50	17.87	15.99	<b>14R1513</b>	12
<b>PJ18168L</b>	18.40	16.40	8.13	16.88	14.88	7.68	16.97	14.97	7.47	16.25	14.25	19.28	15.72	0.50	20.00	18.00	<b>P1868</b>	17
<b>PJ20168L</b>	20.00	16.00	8.13	18.44	14.44	7.68	18.54	14.54	7.47	17.81	13.81	20.84	15.31	0.52	21.59	17.59	<b>P2068</b>	19

For aluminum and fiberglass panels...see page 130.

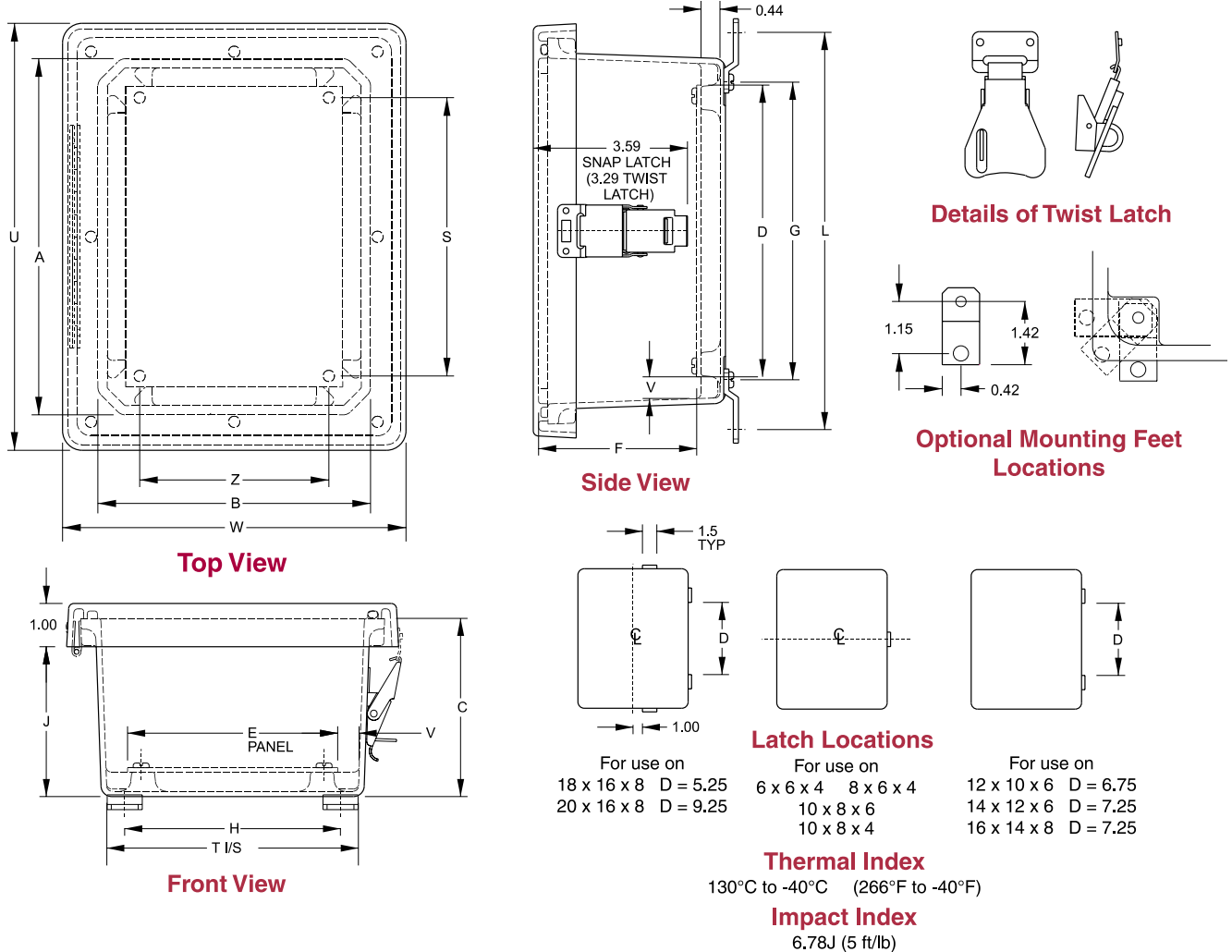
Technical references and DXF downloads available at [www.hammfg.com](http://www.hammfg.com)

All dimensions in inches unless specified otherwise

**Quality Enclosures. Service Excellence.**

# Polyester Modular Enclosures - NEMA 4X

## PJ Series - Snap & Twist Latch Hinged Cover



**Corrosion Resistant Junction Boxes/JIC Enclosures**

### Twist Latch

Part No.	Overall Dimensions			Panel Dimensions			Centers					Cover Dimensions			Opt. Steel Panel Part No.	Shipping Weight (lbs)		
	A	B	C	D	E	F	G	H	J	S	Z	L	T	V			U	W
<b>PJ664T</b>	6.10	6.10	4.18	4.88	4.88	3.76	5.01	5.01	3.52	4.25	4.25	7.32	5.83	0.49	7.69	7.69	<b>14R0505</b>	4
<b>PJ864T</b>	8.00	6.12	4.13	6.75	4.88	3.68	6.89	5.01	3.47	6.25	4.25	9.19	5.85	0.50	9.59	7.71	<b>14R0705</b>	4
<b>PJ1084T</b>	10.13	8.26	4.13	8.75	6.88	3.68	8.89	7.01	3.47	8.25	6.25	11.19	7.85	0.50	11.77	9.90	<b>14R0907</b>	6
<b>PJ1086T</b>	10.13	8.26	6.13	8.75	6.88	5.68	8.89	7.01	5.47	8.25	6.25	11.19	7.85	0.50	11.77	9.90	<b>14R0907</b>	6
<b>PJ12106T</b>	12.13	10.26	6.13	10.75	8.88	5.68	10.89	9.01	5.47	10.25	8.25	13.19	9.85	0.50	13.77	11.90	<b>14R1109</b>	8
<b>PJ14126T</b>	14.13	12.26	6.13	12.75	10.88	5.68	12.89	11.01	5.47	12.25	10.25	15.19	11.85	0.50	15.73	13.85	<b>14R1311</b>	11
<b>PJ16148T</b>	16.27	14.40	8.13	14.75	12.88	7.68	14.89	13.01	7.47	14.25	12.25	17.19	13.71	0.50	17.87	15.99	<b>14R1513</b>	12
<b>PJ18168T</b>	18.40	16.40	8.13	16.88	14.88	7.68	16.97	14.97	7.47	16.25	14.25	19.28	15.72	0.50	20.00	18.00	<b>P1868</b>	17
<b>PJ20168T</b>	20.00	16.00	8.13	18.44	14.44	7.68	18.54	14.54	7.47	17.81	13.81	20.84	15.31	0.52	21.59	17.59	<b>P2068</b>	19

For aluminum and fiberglass panels...see page 130.

Technical references and DXF downloads available at [www.hamfmfg.com](http://www.hamfmfg.com)

All dimensions in inches unless specified otherwise

**Quality Enclosures. Service Excellence.**

# Polyester Modular Enclosures - NEMA 4X

## PJ Series - Lift-Off, Hinged, Snap Latch, Twist Latch, Window Door



Twist Latch Detail



Snap Latch Detail

**Panel  
Sold  
Separately**



### Construction

- Molded fiberglass polyester enclosure with matching cover is easily punched, cut, or drilled.
- Enhanced UV inhibitors protect against outdoor weathering.
- Standard JIC sizes under 18"x16".
- Threaded brass inserts are provided for optional inner panel or terminal kit mounting. Mounting hardware is included.
- Stainless steel draw type "snap latch" door fasteners.
- Door fasteners include a provision for padlocking.
- Enclosures are available with bonded polycarbonate viewing windows.
- Door is supported with a continuous stainless steel hinge.
- Captive oil resistant gasket provides a positive seal.
- Threaded brass inserts are provided for mounting feet to the rear of the enclosure.
- Stainless steel mounting brackets and hardware are provided for mounting to the rear of the enclosure.
- Operating temperatures between 130°C and -40°C (266°F to -40°F).

### Construction... Cont'd

- Impact index of 6.78J (5 ft/lb).
- For corrosion resistance information, please refer to table in the Technical Information section... see page 399.

### Finish

- Fiberglass polyester material has a gray finish.
- Optional inner panels are available in white powder coated finished steel or unfinished aluminum, or Fiberglass.

### Accessories

- Painted steel inner panels.
- PJ swing panel
- Unfinished aluminum inner panels
- Fiberglass inner panels
- Terminal kit assemblies

### Application

- Designed for use as instrument enclosures, electric, hydraulic or pneumatic control housings, electrical junction boxes or terminal wiring enclosures.
- Provides outstanding insulation and protection where equipment may be hosed down or be very wet.
- Ideal in applications with high temperatures or highly corrosive environments.

### Standards

- UL 508 Type 1, 2, 3, 4, 4X, 12 and 13
- CSA Type 1, 2, 3, 4, 4X, 12 and 13
- Complies with
  - NEMA Type 1, 2, 3, 4, 4X, 12, & 13
  - IEC 529, IP66

Corrosion Resistant

Junction Boxes/JIC Enclosures

Window Lift-Off Part No.	Window Hinged Part No.	Overall Dimensions			Panel Size						Center	
		A	B	C	D	E	F	G	H	J	S	Z
PJ664W	PJ664HW	6.10	6.10	4.18	4.88	4.88	5.26	5.01	5.01	3.52	4.25	4.25
PJ864W	PJ864HW	8.00	6.12	4.13	6.75	4.88	5.21	6.89	5.01	3.47	6.25	4.25
PJ1084W	PJ1084HW	10.13	8.26	4.13	8.75	6.88	3.68	8.89	7.01	3.47	8.25	6.25
PJ1086W	PJ1086HW	10.13	8.26	6.13	8.75	6.88	7.21	8.89	7.01	5.47	8.25	6.25
PJ12106W	PJ12106HW	12.13	10.26	6.13	10.75	8.88	7.21	10.89	9.01	5.47	10.25	8.25
PJ14126W	PJ14126HW	14.13	12.26	6.13	12.75	10.88	7.21	12.89	11.01	5.47	12.25	10.25
PJ16148W	PJ16148HW	16.27	14.40	8.13	14.75	12.88	9.21	14.89	13.01	7.47	14.25	12.25
PJ18168W	PJ18168HW	18.40	16.40	8.13	16.88	14.88	9.21	16.97	14.97	7.47	16.25	14.25
PJ20168W	PJ20168HW	20.00	16.00	8.13	18.44	14.44	9.21	18.54	14.54	7.47	17.81	13.81

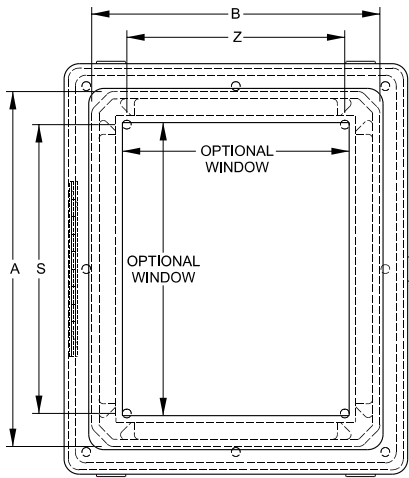
Technical references and DXF downloads available at [www.hammmfg.com](http://www.hammmfg.com)

All dimensions in inches unless specified otherwise

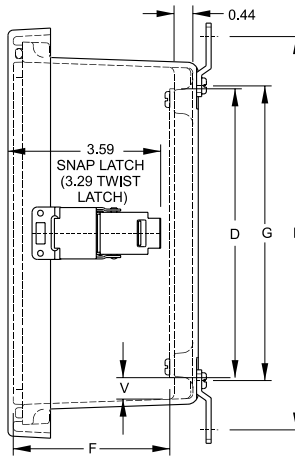
# Polyester Modular Enclosures - NEMA 4X

## PJ Series - Lift-Off, Hinged, Snap Latch, Twist Latch, Window Door

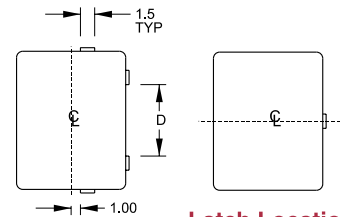
**Corrosion Resistant Junction Boxes/JIC Enclosures**



**Top View**



**Side View**



**Latch Locations**

For use on  
18 x 16 x 8 D = 5.25  
20 x 16 x 8 D = 9.25

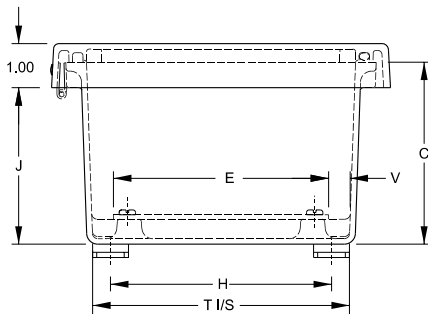
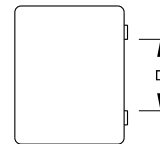
For use on  
6 x 6 x 4 8 x 6 x 4  
10 x 8 x 6  
10 x 8 x 4

**Thermal Index**

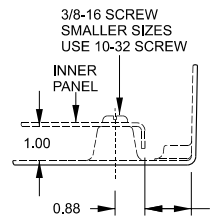
130°C to -40°C (266°F to -40°F)

**Impact Index**

6.78J (5 ft/lb)



**Front View**



**Detail A**

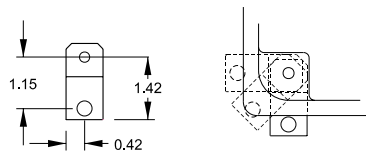
For use on  
12 x 10 x 6 D = 6.75  
14 x 12 x 6 D = 7.25  
16 x 14 x 8 D = 7.25

**Thermal Index**

130°C to -40°C (266°F to -40°F)

**Impact Index**

6.78J (5 ft/lb)



**Optional Mounting Feet Locations**

Window Snap Latch Part No.	Window Twist Latch Part No.	Cover Dimensions								Optional Panel Part No.	Window Dim. HxW	Shipping Weight (lbs)
		L	T	K	M	U	W	R	V			
PJ664LW	PJ664TW	7.32	5.83	6.08	6.08	7.69	7.69	0.44	0.49	14R0505	4.25x4.25	4
PJ864LW	PJ864TW	9.19	5.85	6.11	7.98	9.59	7.71	0.44	0.50	14R0705	4.25x6.25	4
PJ1084LW	PJ1084TW	11.19	7.85	8.44	10.32	11.77	9.90	0.44	0.50	14R0907	8.37x6.5	6
PJ1086LW	PJ1086TW	11.19	7.85	8.44	10.32	11.77	9.90	0.44	0.50	14R0907	8.37x6.5	6
PJ12106LW	PJ12106TW	13.19	9.85	10.45	12.32	13.77	11.90	0.44	0.50	14R1109	10.37x8.5	8
PJ14126LW	PJ14126TW	15.19	11.85	12.45	14.32	15.73	13.85	0.44	0.50	14R1311	12.37x10.5	11
PJ16148LW	PJ16148TW	17.19	13.71	13.86	15.73	17.87	15.99	0.44	0.50	14R1513	13.00x11.00	12
PJ18168LW	PJ18168TW	19.28	15.72	15.86	17.86	20.00	18.00	0.44	0.50	P1868	14.00x12.00	17
PJ20168LW	PJ20168TW	20.84	15.31	15.43	19.43	21.59	17.59	0.44	0.52	P2068	15.00x11.00	19

For aluminum and fiberglass panels...see page 130.

Technical references and DXF downloads available at [www.hamfmfg.com](http://www.hamfmfg.com)

All dimensions in inches unless specified otherwise

**Quality Enclosures. Service Excellence.**

# Polyester Modular Enclosures - NEMA 4X

## PJ Series - Raised Lid Lift-Off, Hinged Cover, Window Door



Window Door

Panel Sold Separately



Corrosion Resistant

Junction Boxes/JIC Enclosures

### Application

- Designed for use as instrument enclosures, electric, hydraulic or pneumatic control housings, electrical junction boxes or terminal wiring enclosures.
- Provides outstanding insulation and protection where equipment may be hosed down or be very wet.
- Ideal in applications with high temperatures or highly corrosive environments.

### Standards

- UL 508 Type 1, 2, 3, 4, 4X, 12 and 13
- CSA Type 1, 2, 3, 4, 4X, 12 and 13
- Complies with
  - NEMA Type 1, 2, 3, 4, 4X, 12 and 13
  - IEC 529, IP66

### Construction

- Molded fiberglass polyester enclosure with matching cover is easily punched, cut, or drilled.
- Enhanced UV inhibitors protect against outdoor weathering.
- Standard JIC sizes under 18" x 16".
- Threaded brass inserts are provided for optional inner panel or terminal kit mounting. Mounting hardware is included.
- Cover fastened with captive stainless steel screws in threaded brass inserts.
- Door fasteners include a provision for padlocking.
- Enclosures are available with bonded polycarbonate viewing windows.
- Door is supported with a continuous stainless steel hinge.
- Captive oil resistant gasket provides a positive seal.
- Threaded brass inserts are provided for mounting feet to the rear of the enclosure.
- Stainless steel mounting brackets and hardware are provided for mounting to the rear of the enclosure.
- Operating temperatures between 130°C and -40°C (266°F to -40°F).
- Impact index of 6.78J (5 ft/lb).

### Construction...Cont'd

- For corrosion resistance information, please refer to table in the Technical Information section... see page 399.

### Finish

- Fiberglass polyester material has a gray finish.
- Optional inner panels are available in white powder coated finished steel or unfinished aluminum, or Fiberglass.

### Accessories

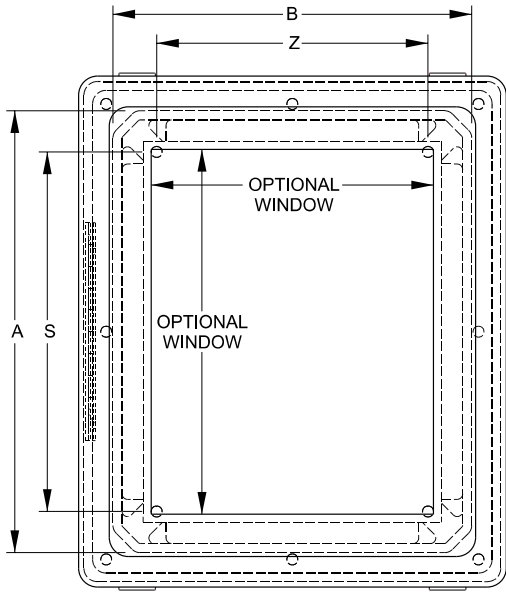
- Painted steel inner panels.
- PJ swing panel
- Unfinished aluminum inner panels
- Fiberglass inner panels
- Terminal kit assemblies

Raised Lift-Off Solid Cover Part No.	Raised Window Cover Lift-Off Part No.	Overall Dimensions			Panel Size						Center	
		A	B	C	D	E	F	G	H	J	S	Z
PJ664R	PJ664RW	6.10	6.10	4.18	4.88	4.88	5.26	5.01	5.01	3.52	4.25	4.25
PJ864R	PJ864RW	8.00	6.12	4.13	6.75	4.88	5.21	6.89	5.01	3.47	6.25	4.25
PJ1084R	PJ1084RW	10.13	8.26	4.13	8.75	6.88	3.68	8.89	7.01	3.47	8.25	6.25
PJ1086R	PJ1086RW	10.13	8.26	6.13	8.75	6.88	7.21	8.89	7.01	5.47	8.25	6.25
PJ12106R	PJ12106RW	12.13	10.26	6.13	10.75	8.88	7.21	10.89	9.01	5.47	10.25	8.25
PJ14126R	PJ14126RW	14.13	12.26	6.13	12.75	10.88	7.21	12.89	11.01	5.47	12.25	10.25
PJ16148R	PJ16148RW	16.27	14.40	8.13	14.75	12.88	9.21	14.89	13.01	7.47	14.25	12.25
PJ18168R	PJ18168RW	18.40	16.40	8.13	16.88	14.88	9.21	16.97	14.97	7.47	16.25	14.25
PJ20168R	PJ20168RW	20.00	16.00	8.13	18.44	14.44	9.21	18.54	14.54	7.47	17.81	13.81

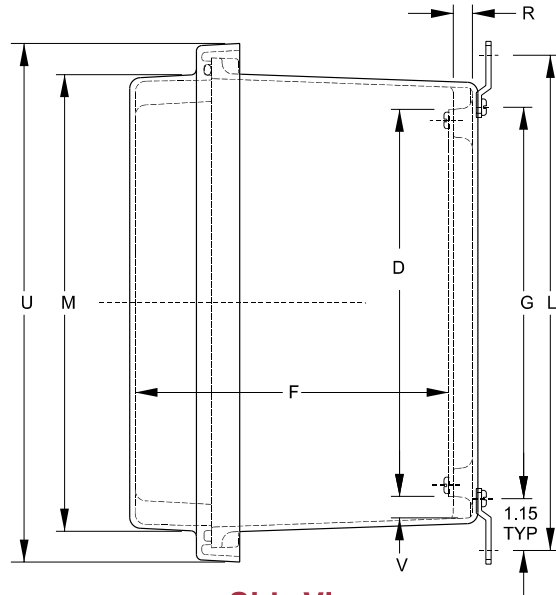
Technical references and DXF downloads available at [www.hammmfg.com](http://www.hammmfg.com)

All dimensions in inches unless specified otherwise

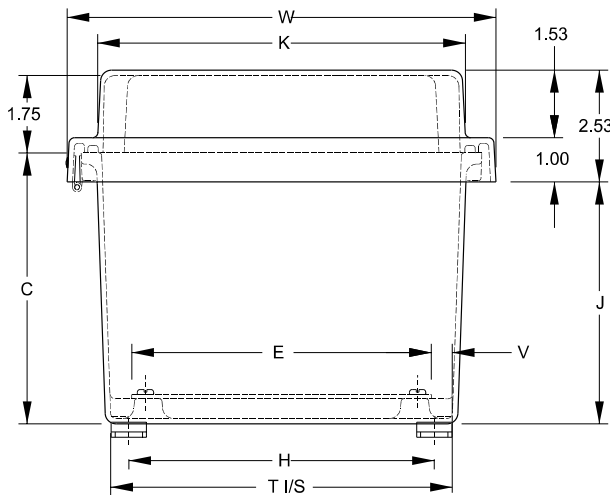
**Polyester Modular Enclosures - NEMA 4X**  
PJ Series - Raised Lid Lift-Off, Hinged Cover, Window Door



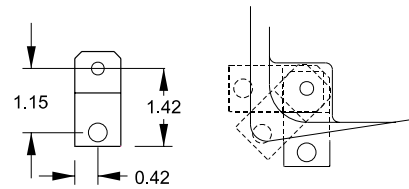
**Top View**



**Side View**



**Front View**



**Optional Mounting Feet Locations**

**Thermal Index**  
130°C to -40°C (266°F to -40°F)  
**Impact Index**  
6.78J (5 ft/lb)

**Corrosion Resistant Junction Boxes/JIC Enclosures**

Raised Hinged Solid Cover Part No.	Raised Window Hinged Cover Part No.	Cover Dimensions								Panel Part No.	Optional Window Dim. HxW	Shipping Weight (lbs)
		L	T	K	M	U	W	R	V			
PJ664RH	PJ664RHW	7.32	5.83	6.08	6.08	7.69	7.69	0.44	0.49	14R0505	4.25x4.25	4
PJ864RH	PJ864RHW	9.19	5.85	6.11	7.98	9.59	7.71	0.44	0.50	14R0705	4.25x6.25	4
PJ1084RH	PJ1084RHW	11.19	7.85	8.44	10.32	11.77	9.90	0.44	0.50	14R0907	8.37x6.5	6
PJ1086RH	PJ1086RHW	11.19	7.85	8.44	10.32	11.77	9.90	0.44	0.50	14R0907	8.37x6.5	6
PJ12106RH	PJ12106RHW	13.19	9.85	10.45	12.32	13.77	11.90	0.44	0.50	14R1109	10.37x8.5	8
PJ14126RH	PJ14126RHW	15.19	11.85	12.45	14.32	15.73	13.85	0.44	0.50	14R1311	12.37x10.5	11
PJ16148RH	PJ16148RHW	17.19	13.71	13.86	15.73	17.87	15.99	0.44	0.50	14R1513	13.00x11.00	12
PJ18168RH	PJ18168RHW	19.28	15.72	15.86	17.86	20.00	18.00	0.44	0.50	P1868	14.00x12.00	17
PJ20168RH	PJ20168RHW	20.84	15.31	15.43	19.43	21.59	17.59	0.44	0.52	P2068	15.00x11.00	19

For aluminum and fiberglass panels...see page 130.

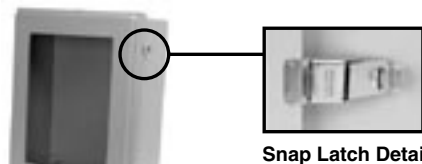
Technical references and DXF downloads available at www.hamfmfg.com

All dimensions in inches unless specified otherwise

**Quality Enclosures. Service Excellence.**

# Polyester Modular Enclosures - NEMA 4X

## PJ Series - Raised Lid Snap Latch Hinged Cover, Solid and Window Door



Snap Latch Detail

Window Door

**Panel  
Sold  
Separately**



### Construction

- Molded fiberglass polyester enclosure with matching cover is easily punched, cut, or drilled.
- Enhanced UV inhibitors protect against outdoor weathering.
- Standard JIC sizes under 18"x16".
- Threaded brass inserts are provided for optional inner panel or terminal kit mounting. Mounting hardware is included.
- Stainless steel draw type "snap latch" door fasteners.
- Door fasteners include a provision for padlocking.
- Enclosures are available with bonded polycarbonate viewing windows.
- Door is supported with a continuous stainless steel hinge.
- Captive oil resistant gasket provides a positive seal.
- Threaded brass inserts are provided for mounting feet to the rear of the enclosure.

Stainless steel mounting brackets and hardware are provided for mounting to the rear of the enclosure.

### Construction... Cont'd

Operating temperatures between 130°C and -40°C (266°F to -40°F).

- Impact index of 6.78J (5 ft/lb).
- For corrosion resistance information, please refer to table in the Technical Information section.

### Finish

- Fiberglass polyester material has a gray finish.
- Optional inner panels are available in white powder coated finished steel or unfinished aluminum, or fiberglass.

### Accessories

- Painted steel inner panels
- PJ swing panel
- Unfinished aluminum inner panels
- Fiberglass inner panels
- Terminal kit assemblies

### Application

- Designed for use as instrument enclosures, electric, hydraulic or pneumatic control housings, electrical junction boxes or terminal wiring enclosures.
- Provides outstanding insulation and protection where equipment may be hosed down or be very wet.
- Ideal in applications with high temperatures or highly corrosive environments.

### Standards

- UL 508 Type 1, 2, 3, 4, 4X, 12 and 13
- CSA Type 1, 2, 3, 4, 4X, 12 and 13
- Complies with
  - NEMA Type 1, 2, 3, 4, 4X, 12, & 13
  - IEC 529, IP66

Corrosion Resistant Junction Boxes/JIC Enclosures

Solid Cover Part No.	Window Cover Part No.	Overall Dimensions			Panel Size				Center		
		A	B	C	D	E	G	H	J	S	Z
PJ664RL	PJ664RLW	6.10	6.10	4.18	4.88	4.88	5.01	5.01	3.52	4.25	4.25
PJ864RL	PJ864RLW	8.00	6.12	4.13	6.75	4.88	6.89	5.01	3.47	6.25	4.25
PJ1084RL	PJ1084RLW	10.13	8.26	4.13	8.75	6.88	8.89	7.01	3.47	8.25	6.25
PJ1086RL	PJ1086RLW	10.13	8.26	6.13	8.75	6.88	8.89	7.01	5.47	8.25	6.25
PJ12106RL	PJ12106RLW	12.13	10.26	6.13	10.75	8.88	10.89	9.01	5.47	10.25	8.25
PJ14126RL	PJ14126RLW	14.13	12.26	6.13	12.75	10.88	12.89	11.01	5.47	12.25	10.25
PJ16148RL	PJ16148RLW	16.27	14.40	8.13	14.75	12.88	14.89	13.01	7.47	14.25	12.25
PJ18168RL	PJ18168RLW	18.40	16.40	8.13	16.88	14.88	16.97	14.97	7.47	16.25	14.25
PJ20168RL	PJ20168RLW	20.00	16.00	8.13	18.44	14.44	18.54	14.54	7.47	17.81	13.81
PJ24208RL	PJ24208RLW	24.00	20.00	8.13	21.00	17.00	22.75	18.75	7.47	19.25	15.25
PJ24248RL <sup>1</sup>	PJ24248RLW <sup>1</sup>	24.00	24.00	8.13	21.00	21.00	22.75	22.75	7.47	19.25	19.25
PJ30248RL <sup>1</sup>	PJ30248RLW <sup>1</sup>	30.00	24.00	8.13	27.00	21.00	28.75	22.75	7.47	25.25	19.25
PJ242010RL <sup>1</sup>	PJ242010RLW <sup>1</sup>	24.00	20.00	10.13	21.00	17.00	22.75	18.75	9.47	19.25	15.25
PJ242410RL <sup>1</sup>	PJ242410RLW <sup>1</sup>	24.00	24.00	10.13	21.00	21.00	22.75	22.75	9.47	19.25	19.25
PJ302410RL <sup>1</sup>	PJ302410RLW <sup>1</sup>	30.00	24.00	10.13	27.00	21.00	28.75	22.75	9.47	25.25	19.25

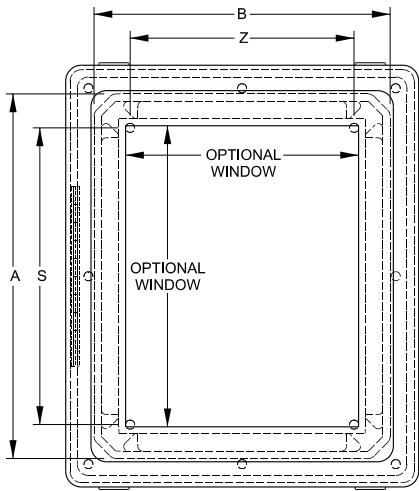
<sup>1</sup> Uses larger mounting foot. See drawing above.



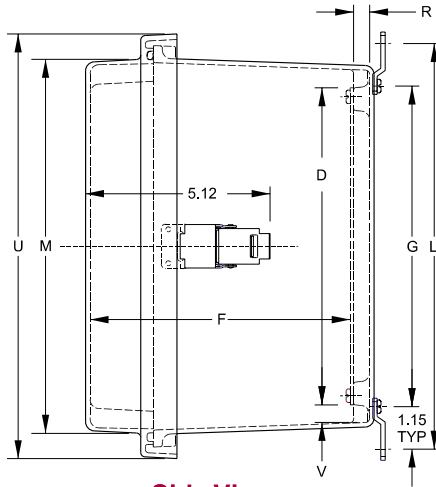
# Polyester Modular Enclosures - NEMA 4X

## PJ Series - Raised Lid Snap Latch Hinged Cover, Solid and Window Door

Corrosion Resistant Junction Boxes/JIC Enclosures

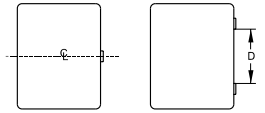


**Top View**



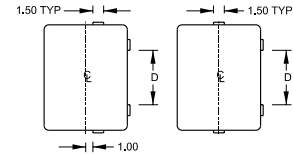
**Side View**

**Latch Locations**



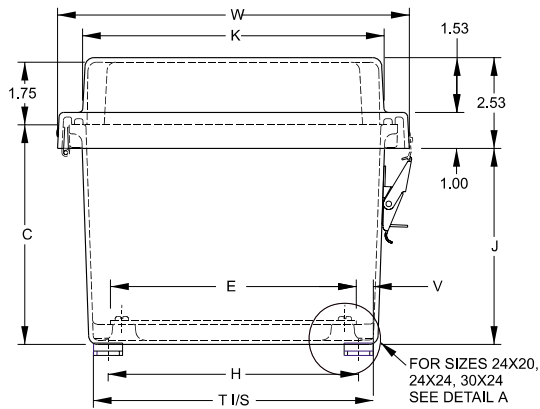
For use on  
6x6x4  
8x6x4  
10x 8x4  
10x 8x6

For use on  
12x10x6 D = 6.75  
14x12x6 D = 7.25  
16x14x8 D = 7.25

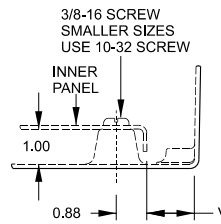


For use on  
18x16x8 D = 5.25  
20x16x8 D = 25  
20x16x8 D = 9.50

For use on  
24x20 D = 13.75  
24x24 D = 13.75  
30x24 D = 18.75



**Front View**



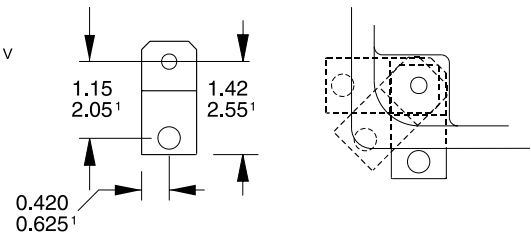
**Detail A**

**Thermal Index**

130°C to -40°C (266°F to -40°F)

**Impact Index**

6.78J (5 ft/lb)



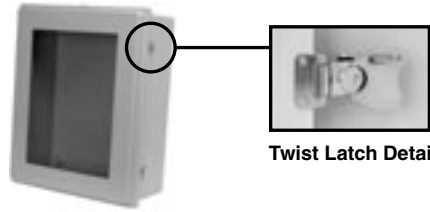
**Optional Mounting Feet Locations**

Solid Cover Part No.	Window Cover Part No.	Cover Dimensions								Panel Part No.	Optional Window Dim. HxW
		L	T	K	M	U	W	R	V		
PJ664RL	PJ664RLW	7.32	5.83	6.08	6.08	7.69	7.69	0.44	0.49	14R0505	4.25x4.25
PJ864RL	PJ864RLW	9.19	5.85	6.11	7.98	9.59	7.71	0.44	0.50	14R0705	6.25x4.25
PJ1084RL	PJ1084RLW	11.19	7.85	8.44	10.32	11.77	9.90	0.44	0.50	14R0907	8.37x6.5
PJ1086RL	PJ1086RLW	11.19	7.85	8.44	10.32	11.77	9.	0.44	0.50	14R0907	8.37x6.5
PJ12106RL	PJ12106RLW	13.19	9.85	10.45	12.32	13.77	11.90	0.44	0.50	14R1109	10.37x8.5
PJ14126RL	PJ14126RLW	15.19	11.85	12.45	14.32	15.73	13.85	0.44	0.50	14R1311	12.37x10.5
PJ16148RL	PJ16148RLW	17.19	13.71	13.86	15.73	17.87	15.99	0.44	0.50	14R1513	13.00x11.00
PJ18168RL	PJ18168RLW	19.28	15.72	15.86	17.86	20.00	18.00	0.44	0.50	P1868	14.00x12.00
PJ20168RL	PJ20168RLW	20.84	15.31	15.43	19.43	21.59	17.59	0.44	0.52	P2068	15.00x11.00
PJ24208RL	PJ24208RLW	25.06	19.73	20.16	24.16	25.59	21.59	1.00	1.38	18P2117	16.00x12.00
PJ24248RL <sup>1</sup>	PJ24248RLW <sup>1</sup>	25.06	23.73	24.16	24.16	25.59	25.59	1.00	1.38	18P2121	16.00x16.00
PJ30248RL <sup>1</sup>	PJ30248RLW <sup>1</sup>	31.06	23.73	24.16	30.16	31.59	25.59	1.00	1.38	18P2721	23.00x17.00
PJ242010RL <sup>1</sup>	PJ242010RLW <sup>1</sup>	25.06	19.70	20.16	24.16	25.59	21.59	1.00	1.36	18P2117	16.00x12.00
PJ242410RL <sup>1</sup>	PJ242410RLW <sup>1</sup>	25.06	23.70	24.16	24.16	25.59	25.59	1.00	1.36	18P2121	16.00x16.00
PJ302410RL <sup>1</sup>	PJ302410RLW <sup>1</sup>	31.06	23.70	24.16	30.16	31.59	25.59	1.00	1.36	18P2721	23.00x17.00

<sup>1</sup> Uses larger mounting foot. See drawing above.

# Polyester Modular Enclosures - NEMA 4X

## PJ Series - Raised Lid Twist Latch Hinged Cover, Solid and Window Door



Window Door

Twist Latch Detail

**Panel  
Sold  
Separately**



### Construction

- Molded fiberglass polyester enclosure with matching cover is easily punched, cut, or drilled.
- Enhanced UV inhibitors protect against outdoor weathering.
- Threaded brass inserts are provided for optional inner panel or terminal kit mounting. Mounting hardware is included.
- Stainless steel draw type "twist latch" door fasteners.
- Door fasteners include a provision for padlocking.
- Enclosures are available with bonded polycarbonate viewing windows.
- Door is supported with a continuous stainless steel hinge.
- Captive oil resistant gasket provides a positive seal.
- Threaded brass inserts are provided for mounting feet to the rear of the enclosure.
- Stainless steel mounting brackets and hardware are provided for mounting to the rear of the enclosure.

- Operating temperatures between 130°C and -40°C (266°F to -40°F).
- Impact index of 6.78J (5 ft/lb).
- For corrosion resistance information, please refer to table in the Technical Information section.

### Finish

- Fiberglass polyester material has a gray finish.
- Optional inner panels are available in white powder coated finished steel or unfinished aluminum, or fiberglass.

### Accessories

- Painted steel inner panels
- PJ swing panel
- Unfinished aluminum inner panels
- Terminal kit assemblies
- Fiberglass inner panels

### Application

- Designed for use as instrument enclosures, electric, hydraulic or pneumatic control housings, electrical junction boxes or terminal wiring enclosures.
- Provides outstanding insulation and protection where equipment may be hosed down or be very wet.
- Ideal in applications with high temperatures or highly corrosive environments.

### Standards

- UL 508 Type 1, 2, 3, 4, 4X, 12 and 13
- CSA Type 1, 2, 3, 4, 4X, 12 and 13
- Complies with
  - NEMA Type 1, 2, 3, 4, 4X, 12, & 13
  - IEC 60529, IP66

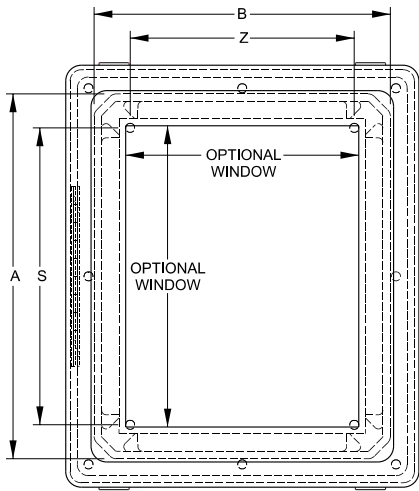
Corrosion Resistant Junction Boxes/JIC Enclosures

Solid Cover Part No.	Window Cover Part No.	Overall Dimensions			Panel Size				Center			
		A	B	C	D	E	F	G	H	J	S	Z
PJ664RT	PJ664RTW	6.10	6.10	4.18	4.88	4.88	5.26	5.01	5.01	3.52	4.25	4.25
PJ864RT	PJ864RTW	8.00	6.12	4.13	6.75	4.88	5.21	6.89	5.01	3.47	6.25	4.25
PJ1084RT	PJ1084RTW	10.13	8.26	4.13	8.75	6.88	5.21	8.89	7.01	3.47	8.25	6.25
PJ1086RT	PJ1086RTW	10.13	8.26	6.13	8.75	6.88	7.21	8.89	7.01	5.47	8.25	6.25
PJ12106RT	PJ12106RTW	12.13	10.26	6.13	10.75	8.88	7.21	10.89	9.01	5.47	10.25	8.25
PJ14126RT	PJ14126RTW	14.13	12.26	6.13	12.75	10.88	7.21	12.89	11.01	5.47	12.25	10.25
PJ16148RT	PJ16148RTW	16.27	14.40	8.13	14.75	12.88	9.21	14.89	13.01	7.47	14.25	12.25
PJ18168RT	PJ18168RTW	18.40	16.40	8.13	16.88	14.88	9.21	16.97	14.97	7.47	16.25	14.25
PJ20168RT	PJ20168RTW	20.00	16.00	8.13	18.44	14.44	9.21	18.54	14.54	7.47	17.81	13.81
PJ24208RT <sup>1</sup>	PJ24208RTW <sup>1</sup>	24.00	20.00	8.13	21.00	17.00	8.65	22.75	18.75	7.47	19.25	15.25
PJ24248RT <sup>1</sup>	PJ24248RTW <sup>1</sup>	24.00	24.00	8.13	21.00	21.00	8.65	22.75	22.75	7.47	19.25	19.25
PJ30248RT <sup>1</sup>	PJ30248RTW <sup>1</sup>	30.00	24.00	8.13	27.00	21.00	8.65	28.75	22.75	7.47	25.25	19.25
PJ242010RT <sup>1</sup>	PJ242010RTW <sup>1</sup>	24.00	20.00	10.13	21.00	17.00	10.65	22.75	18.75	9.47	19.25	15.25
PJ242410RT <sup>1</sup>	PJ242410RTW <sup>1</sup>	24.00	24.00	10.13	21.00	21.00	10.65	22.75	22.75	9.47	19.25	19.25
PJ302410RT <sup>1</sup>	PJ302410RTW <sup>1</sup>	30.00	24.00	10.13	27.00	21.00	10.65	28.75	22.75	9.47	25.25	19.25

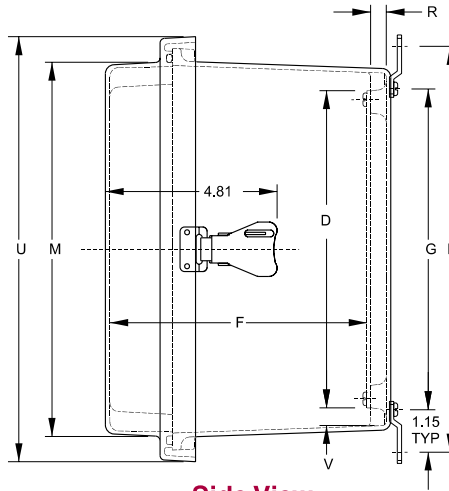
<sup>1</sup> Uses larger mounting foot. See drawing above.

# Polyester Modular Enclosures - NEMA 4X

## PJ Series - Raised Lid Twist Latch Hinged Cover, Solid and Window Door

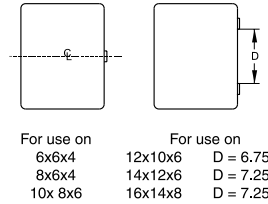


**Top View**



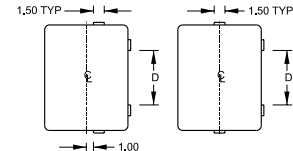
**Side View**

**Latch Locations**



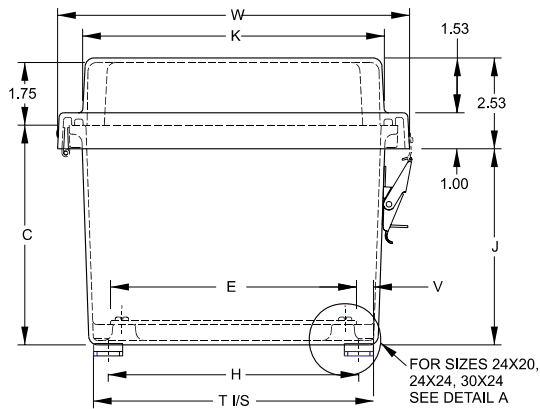
For use on  
6x6x4  
8x6x4  
10x 8x6

For use on  
12x10x6  
14x12x6  
16x14x8  
D = 6.75  
D = 7.25  
D = 7.25

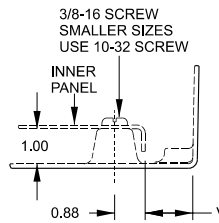


For use on  
18x16x8 D = 5.25  
20x16x8 D = 25  
20x16x8 D = 9.50

For use on  
24x20 D = 13.75  
24x24 D = 13.75  
30x24 D = 18.75



**Front View**



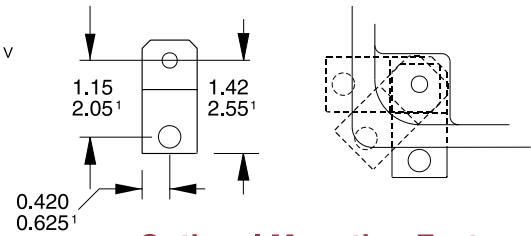
**Detail A**

**Thermal Index**

130°C to -40°C (266°F to -40°F)

**Impact Index**

6.78J (5 ft/lb)



**Optional Mounting Feet Locations**

Solid Cover Part No.	Window Cover Part No.	Cover Dimensions								Panel Part No.	Optional Window Dim. HxW
		L	T	K	M	U	W	R	V		
PJ664RT	PJ664RTW	7.32	5.83	6.08	6.08	7.69	7.69	0.44	0.49	14R0505	4.25x4.25
PJ864RT	PJ864RTW	9.19	5.85	6.11	7.98	9.59	7.71	0.44	0.50	14R0705	6.25x4.25
PJ1084RT	PJ1084RTW	11.19	7.85	8.44	10.32	11.77	9.90	0.44	0.50	14R0907	8.37x6.5
PJ1086RT	PJ1086RTW	11.19	7.85	8.44	10.32	11.77	9.90	0.44	0.50	14R0907	8.37x6.5
PJ12106RT	PJ12106RTW	13.19	9.85	10.45	12.32	13.77	11.90	0.44	0.50	14R1109	10.37x8.5
PJ14126RT	PJ14126RTW	15.19	11.85	12.45	14.32	15.73	13.85	0.44	0.50	14R1311	12.37x10.5
PJ16148RT	PJ16148RTW	17.19	13.71	13.86	15.73	17.87	15.99	0.44	0.50	14R1513	13.00x11.00
PJ18168RT	PJ18168RTW	19.28	15.72	15.86	17.86	20.00	18.00	0.44	0.50	P1868	14.00x12.00
PJ20168RT	PJ20168RTW	20.84	15.31	15.43	19.43	21.59	17.59	0.44	0.52	P2068	15.00x11.00
PJ24208RT	PJ24208RTW	25.06	19.73	20.16	24.16	25.59	21.59	1.00	1.38	18P2117	16.00x12.00
PJ24248RT <sup>1</sup>	PJ24248RTW <sup>1</sup>	25.06	23.73	24.16	24.16	25.59	25.59	1.00	1.38	18P2121	16.00x16.00
PJ30248RT <sup>1</sup>	PJ30248RTW <sup>1</sup>	31.06	23.73	24.16	30.16	31.59	25.59	1.00	1.38	18P2721	23.00x17.00
PJ242010RT <sup>1</sup>	PJ242010RTW <sup>1</sup>	25.06	19.70	20.16	24.16	25.59	21.59	1.00	1.36	18P2117	16.00x12.00
PJ242410RT <sup>1</sup>	PJ242410RTW <sup>1</sup>	25.06	23.70	24.16	24.16	25.59	25.59	1.00	1.36	18P2121	16.00x16.00
PJ302410RT <sup>1</sup>	PJ302410RTW <sup>1</sup>	31.06	23.70	24.16	30.16	31.59	25.59	1.00	1.36	18P2721	23.00x17.00

<sup>1</sup> Uses larger mounting foot. See drawing above.

# Polyester Modular Enclosures - NEMA 4X

## PJU Series - Snap Latch, Hinged Cover, Window Door



Clear Cover

Panel Sold Separately



Corrosion Resistant

Wallmount Enclosures

### Application

- Designed for use as instrument enclosures, electric, hydraulic or pneumatic control housings, electrical junction boxes or terminal wiring enclosures.
- Provides outstanding insulation and protection where equipment may be hosed down or be very wet.
- Ideal in applications with high temperatures or highly corrosive environments.

### Standards

- UL 508 Type 1, 2, 3, 4, 4X, 12 and 13
- CSA Type 1, 2, 3, 4, 4X, 12 and 13
- Complies with
  - NEMA Type 1, 2, 3, 4, 4X, 12 and 13
  - IEC 529, IP66

### Construction

- Molded fiberglass polyester enclosure with matching cover is easily punched, cut, or drilled.
- Enhanced UV inhibitors protect against outdoor weathering.
- Standard JIC sizes under 18" x 16".
- Threaded brass inserts are provided for optional inner panel or terminal kit mounting. Mounting hardware is included.
- Stainless steel draw type "snap latch" door fasteners.
- Door fasteners include a provision for padlocking.
- Enclosure available with clear Polycarbonate cover to 16" x 14".
- Molded hinge with stainless steel pin.
- Captive oil resistant gasket provides a positive seal.
- Available with Polycarbonate flange or foot mount brackets for multi-directional mounting.
- Operating temperatures between 130°C and -40°C (266°F to -40°F).
- Impact index of 6.78J (5 ft/lb).
- For corrosion resistance information, please refer to table in the Technical Information section... *see page 399.*

### Finish

- Fiberglass polyester material has a gray finish.
- Optional inner panels are available in white powder coated finished steel or unfinished aluminum, or Fiberglass.

### Accessories

- Painted steel inner panels.
- PJU swing panel
- Unfinished aluminum inner panels
- Fiberglass inner panels
- Terminal kit assemblies

Hinged Snap Latch Flange Part No.	Hinged Snap Latch Feet Part No.	Overall Dimensions			Panel Size				Panel Centers		Flange Mounting Centers		
		A	B	C	D	E	F	S	Z	L	K	M	
PJU664LF <sup>3</sup>	PJU664L <sup>3</sup>	6.05	6.27	4.13	4.88	4.88	4.11	4.25	4.25	6.88 / 6.75	4.05	7.62	
PJU864LF <sup>3</sup>	PJU864L <sup>3</sup>	8.05	6.27	4.13	6.75	4.88	4.11	6.25	4.25	8.88 / 8.75	4.00	9.62	
PJU1084LF <sup>1</sup>	PJU1084L <sup>1</sup>	10.05	8.27	4.13	8.75	6.88	4.11	10.25	6.25	10.75	6.00	11.50	
PJU12106LF <sup>1</sup>	PJU12106L <sup>1</sup>	12.05	10.27	6.13	10.75	8.88	6.11	10.25	8.25	12.75	8.00	13.50	
PJU14126LF <sup>2</sup>	PJU14126L <sup>2</sup>	14.05	12.27	6.13	12.75	10.88	6.11	12.25	10.25	14.75 / 14.62	10.00	15.37	
PJU16148LF <sup>3</sup>	PJU16148L <sup>3</sup>	16.05	14.27	8.13	14.75	12.88	8.11	14.25	12.25	16.75	12.00	17.50	
PJU181610LF <sup>4</sup>	PJU181610L <sup>4</sup>	18.30	16.52	10.13	16.88	14.88	10.11	16.25	14.25	18.88 / 18.76	12.00	20.12	
PJU201610LF <sup>4</sup>	PJU201610L <sup>4</sup>	20.50	16.27	10.13	18.44	14.44	10.11	17.81	13.81	21.25	10.00	21.50	

1 Available 4th Qtr 2006

2 Available 1st Qtr 2007

3 Available 2nd Qtr 2007

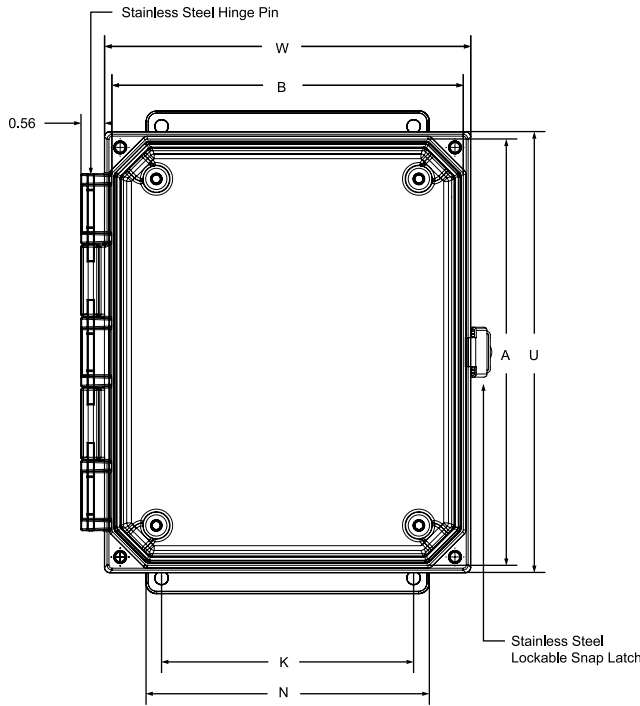
4 Available 3rd Qtr 2007

Technical references and DXF downloads available at [www.hammmfg.com](http://www.hammmfg.com)

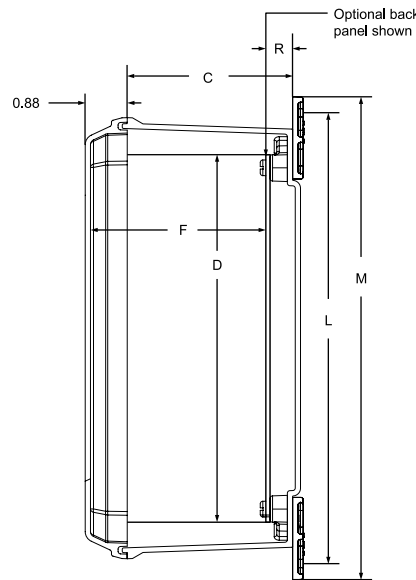
All dimensions in inches unless specified otherwise

# Polyester Modular Enclosures - NEMA 4X

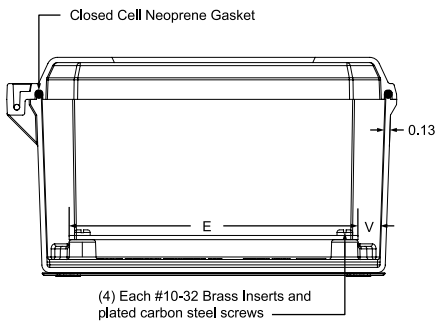
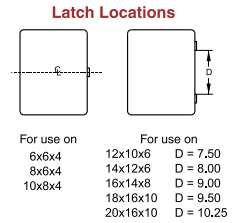
## PJU Series - Snap Latch, Hinged Cover, Window Door



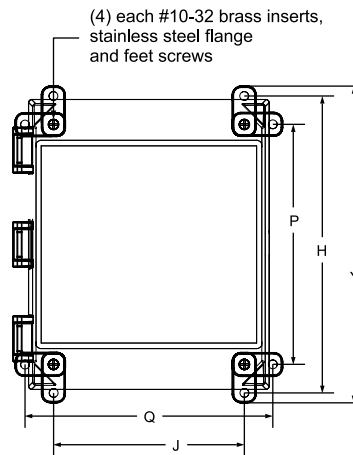
**Top View**



**Side View**



**Front View**



**Rear View**

Corrosion Resistant Walkmount Enclosures

Hinged Snap Latch Clear Cover Flange Part No.	Hinged Snap Latch Clear Cover Feet Part No.	N	H	J	P	Q	U	W	Y	R	V	Panel Part No.	Shipping Weight (lbs)
PJU664CCLF <sup>3</sup>	PJU664CCL <sup>3</sup>	4.80	6.75	4.91	4.69	6.97	6.50	6.72	7.47	0.70	0.52	14R0505	4
PJU864CCLF <sup>3</sup>	PJU864CCL <sup>3</sup>	4.75	8.75	4.91	6.69	6.97	8.50	6.72	9.46	0.70	0.62	14R0705	4
PJU1084CCLF <sup>1</sup>	PJU1084CCL <sup>1</sup>	6.75	10.75	6.91	8.69	8.97	10.50	8.72	11.47	0.70	0.53	14R0907	6
PJU12106CCLF <sup>1</sup>	PJU12106CCL <sup>1</sup>	8.75	12.70	8.82	10.64	10.88	12.50	10.72	13.47	0.68	0.44	14R0907	6
PJU14126CCLF <sup>2</sup>	PJU14126CCL <sup>2</sup>	10.75	14.70	10.82	12.64	12.88	14.50	12.72	15.37	0.70	0.46	14R1109	8
PJU16148CCLF <sup>3</sup>	PJU16148CCL <sup>3</sup>	12.75	16.91	11.47	13.50	14.88	16.50	14.72	17.50	0.70	0.40	14R1311	11
N/A	N/A	12.75	19.16	13.72	15.75	17.13	18.75	16.97	19.89	0.70	0.45	14R1513	12
N/A	N/A	12.75	20.53	13.16	17.13	16.56	20.50	16.72	21.28	0.70	0.50	P1868	17

1 Available 4th Qtr 2006

2 Available 1st Qtr 2007

3 Available 2nd Qtr 2007

4 Available 3rd Qtr 2007

For aluminum and fiberglass panels...see page 130.

Technical references and DXF downloads available at www.hammfg.com

All dimensions in inches unless specified otherwise

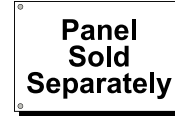
**Quality Enclosures. Service Excellence.**

# Polyester Modular Enclosures - NEMA 4X

## PJU Series - Twist Latch, Hinged Cover, Window Door



Clear Cover



Corrosion Resistant

Wallmount Enclosures

### Application

- Designed for use as instrument enclosures, electric, hydraulic or pneumatic control housings, electrical junction boxes or terminal wiring enclosures.
- Provides outstanding insulation and protection where equipment may be hosed down or be very wet.
- Ideal in applications with high temperatures or highly corrosive environments.

### Standards

- UL 508 Type 1, 2, 3, 4, 4X, 12 and 13
- CSA Type 1, 2, 3, 4, 4X, 12 and 13
- Complies with
  - NEMA Type 1, 2, 3, 4, 4X, 12 and 13
  - IEC 529, IP66

### Construction

- Molded fiberglass polyester enclosure with matching cover is easily punched, cut, or drilled.
- Enhanced UV inhibitors protect against outdoor weathering.
- Standard JIC sizes under 18" x 16".
- Threaded brass inserts are provided for optional inner panel or terminal kit mounting. Mounting hardware is included.
- Stainless steel butterfly type "twist latch" door fasteners.
- Door fasteners include a provision for padlocking.
- Enclosure available with clear Polycarbonate cover to 16" x 14".
- Molded hinge with stainless steel pin.
- Captive oil resistant gasket provides a positive seal.
- Available with Polycarbonate flange or foot mount brackets for multi-directional mounting.
- Operating temperatures between 130°C and -40°C (266°F to -40°F).
- Impact index of 6.78J (5 ft/lb).
- For corrosion resistance information, please refer to table in the Technical Information section... *see page 399.*

### Finish

- Fiberglass polyester material has a gray finish.
- Optional inner panels are available in white powder coated finished steel or unfinished aluminum, or Fiberglass.

### Accessories

- Painted steel inner panels.
- PJ/ PJU swing panel
- Unfinished aluminum inner panels
- Fiberglass inner panels
- Terminal kit assemblies

Hinged Twist Latch Flange Part No.	Hinged Twist Latch Feet Part No.	Overall Dimensions			Panel Size			Panel Centers		Flange Mounting Centers		
		A	B	C	D	E	F	S	Z	L	K	M
PJU664TF <sup>3</sup>	PJU664T <sup>3</sup>	6.05	6.27	4.13	4.88	4.88	4.11	4.25	4.25	6.88 / 6.75	4.05	7.62
PJU864TF <sup>3</sup>	PJU864T <sup>3</sup>	8.05	6.27	4.13	6.75	4.88	4.11	6.25	4.25	8.88 / 8.75	4.00	9.62
PJU1084TF <sup>1</sup>	PJU1084T <sup>1</sup>	10.05	8.27	4.13	8.75	6.88	4.11	10.25	6.25	10.75	6.00	11.50
PJU12106TF <sup>1</sup>	PJU12106T <sup>1</sup>	12.05	10.27	6.13	10.75	8.88	6.11	10.25	8.25	12.75	8.00	13.50
PJU14126TF <sup>2</sup>	PJU14126T <sup>2</sup>	14.05	12.27	6.13	12.75	10.88	6.11	12.25	10.25	14.75 / 14.62	10.00	15.37
PJU16148TF <sup>3</sup>	PJU16148T <sup>3</sup>	16.05	14.27	8.13	14.75	12.88	8.11	14.25	12.25	16.75	12.00	17.50
PJU181610TF <sup>4</sup>	PJU181610T <sup>4</sup>	18.30	16.52	10.13	16.88	14.88	10.11	16.25	14.25	18.88 / 18.76	12.00	20.12
PJU201610TF <sup>4</sup>	PJU201610T <sup>4</sup>	20.50	16.27	10.13	18.44	14.44	10.11	17.81	13.81	21.25	10.00	21.50

1 Available 4th Qtr 2006

2 Available 1st Qtr 2007

3 Available 2nd Qtr 2007

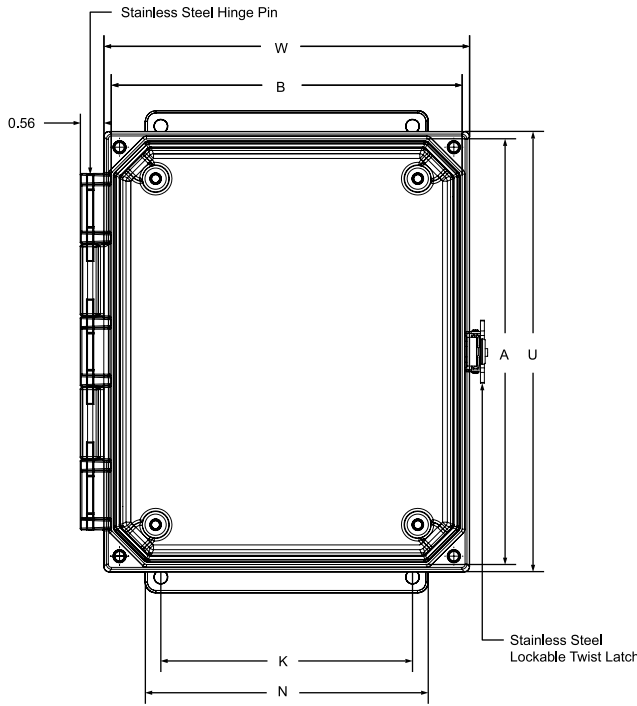
4 Available 3rd Qtr 2007

Technical references and DXF downloads available at [www.hammmfg.com](http://www.hammmfg.com)

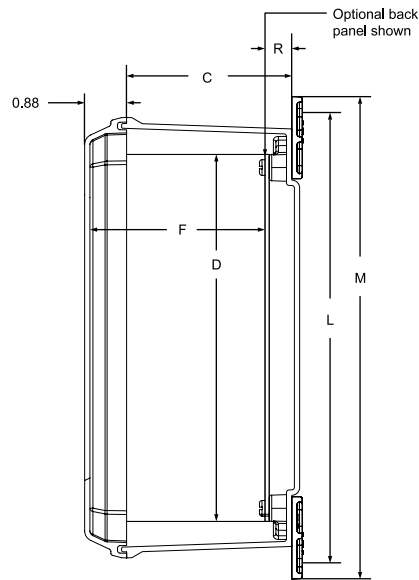
All dimensions in inches unless specified otherwise

# Polyester Modular Enclosures - NEMA 4X

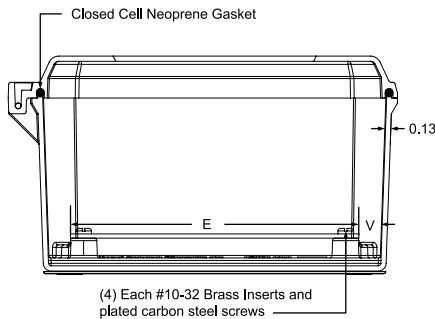
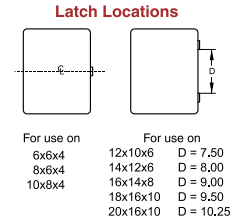
## PJU Series - Twist Latch, Hinged Cover, Window Door



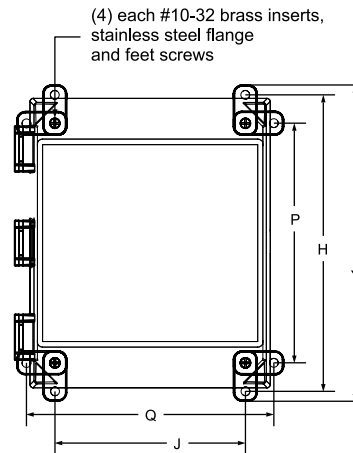
**Top View**



**Side View**



**Front View**



**Rear View**

Hinged Twist Latch Clear Cover Flange Part No.	Hinged Twist Latch Clear Cover Feet Part No.	N	H	J	P	Q	U	W	Y	R	V	Panel Part No.	Shipping Weight (lbs)
PJU664CCTF <sup>3</sup>	PJU664CCT <sup>3</sup>	4.80	6.75	4.91	4.69	6.97	6.50	6.72	7.47	0.70	0.52	14R0505	4
PJU864CCTF <sup>3</sup>	PJU864CCT <sup>3</sup>	4.75	8.75	4.91	6.69	6.97	8.50	6.72	9.46	0.70	0.62	14R0705	4
PJU1084CCTF <sup>1</sup>	PJU1084CCT <sup>1</sup>	6.75	10.75	6.91	8.69	8.97	10.50	8.72	11.47	0.70	0.53	14R0907	6
PJU12106CCTF <sup>1</sup>	PJU12106CCT <sup>1</sup>	8.75	12.70	8.82	10.64	10.88	12.50	10.72	13.47	0.68	0.44	14R0907	6
PJU14126CCTF <sup>2</sup>	PJU14126CCT <sup>2</sup>	10.75	14.70	10.82	12.64	12.88	14.50	12.72	15.37	0.70	0.46	14R1109	8
PJU16148CCTF <sup>3</sup>	PJU16148CCT <sup>3</sup>	12.75	16.91	11.47	13.50	14.88	16.50	14.72	17.50	0.70	0.40	14R1311	11
N/A	N/A	12.75	19.16	13.72	15.75	17.13	18.75	16.97	19.89	0.70	0.45	14R1513	12
N/A	N/A	12.75	20.53	13.16	17.13	16.56	20.50	16.72	21.28	0.70	0.50	P1868	17

1 Available 4th Qtr 2006

2 Available 1st Qtr 2007

3 Available 2nd Qtr 2007

4 Available 3rd Qtr 2007

For aluminum and fiberglass panels...see page 130.

Technical references and DXF downloads available at [www.hamfmfg.com](http://www.hamfmfg.com)

All dimensions in inches unless specified otherwise

**Quality Enclosures. Service Excellence.**

# Polyester Modular Enclosures - NEMA 4X

PJU Series - Lift-Off, Window Door



Clear Cover

Panel Sold Separately



Corrosion Resistant

Wallmount Enclosures

## Application

- Designed for use as instrument enclosures, electric, hydraulic or pneumatic control housings, electrical junction boxes or terminal wiring enclosures.
- Provides outstanding insulation and protection where equipment may be hosed down or be very wet.
- Ideal in applications with high temperatures or highly corrosive environments.

## Standards

- UL 508 Type 1, 2, 3, 4, 4X, 12 and 13
- CSA Type 1, 2, 3, 4, 4X, 12 and 13
- Complies with
  - NEMA Type 1, 2, 3, 4, 4X, 12 and 13
  - IEC 529, IP66

## Construction

- Molded fiberglass polyester enclosure with matching cover is easily punched, cut, or drilled.
- Enhanced UV inhibitors protect against outdoor weathering.
- Standard JIC sizes under 18" x 16".
- Threaded brass inserts are provided for optional inner panel or terminal kit mounting. Mounting hardware is included.
- Cover fastened with captive stainless steel screws in threaded brass inserts.
- Enclosure available with clear Polycarbonate cover to 16" x 14".
- Captive oil resistant gasket provides a positive seal.
- Available with Polycarbonate flange or foot mount brackets for multi-directional mounting.
- Operating temperatures between 130°C and -40°C (266°F to -40°F).
- Impact index of 6.78J (5 ft/lb).
- For corrosion resistance information, please refer to table in the Technical Information section... see page 399.

## Finish

- Fiberglass polyester material has a gray finish.
- Optional inner panels are available in white powder coated finished steel or unfinished aluminum, or Fiberglass.

## Accessories

- Painted steel inner panels.
- PJ/ PJU swing panel
- Unfinished aluminum inner panels
- Fiberglass inner panels
- Terminal kit assemblies

Lift Off Cover Flange Cover No.	Lift Off Cover Feet Part No.	Overall Dimensions			Panel Size			Panel Centers		Flange Mounting Centers		
		A	B	C	D	E	F	S	Z	L	K	M
PJU664F <sup>3</sup>	PJU664 <sup>3</sup>	6.05	6.27	4.13	4.88	4.88	4.11	4.25	4.25	6.88 / 6.75	4.05	7.62
PJU864F <sup>3</sup>	PJU864 <sup>3</sup>	8.05	6.27	4.13	6.75	4.88	4.11	6.25	4.25	8.88 / 8.75	4.00	9.62
PJU1084F <sup>1</sup>	PJU1084 <sup>1</sup>	10.05	8.27	4.13	8.75	6.88	4.11	10.25	6.25	10.75	6.00	11.50
PJU12106F <sup>1</sup>	PJU12106 <sup>1</sup>	12.05	10.27	6.13	10.75	8.88	6.11	10.25	8.25	12.75	8.00	13.50
PJU14126F <sup>2</sup>	PJU14126 <sup>2</sup>	14.05	12.27	6.13	12.75	10.88	6.11	12.25	10.25	14.75 / 14.62	10.00	15.37
PJU16148F <sup>3</sup>	PJU16148 <sup>3</sup>	16.05	14.27	8.13	14.75	12.88	8.11	14.25	12.25	16.75	12.00	17.50
PJU181610F <sup>4</sup>	PJU181610 <sup>4</sup>	18.30	16.52	10.13	16.88	14.88	10.11	16.25	14.25	18.88 / 18.76	12.00	20.12
PJU201610F <sup>4</sup>	PJU201610 <sup>4</sup>	20.50	16.27	10.13	18.44	14.44	10.11	17.81	13.81	21.25	10.00	21.50

1 Available 4th Qtr 2006

2 Available 1st Qtr 2007

3 Available 2nd Qtr 2007

4 Available 3rd Qtr 2007

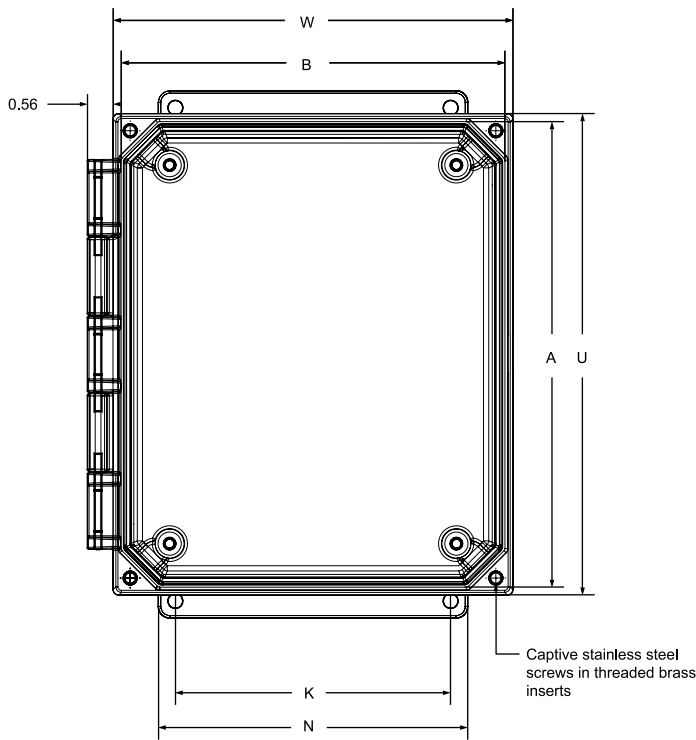
Technical references and DXF downloads available at [www.hammmfg.com](http://www.hammmfg.com)

All dimensions in inches unless specified otherwise

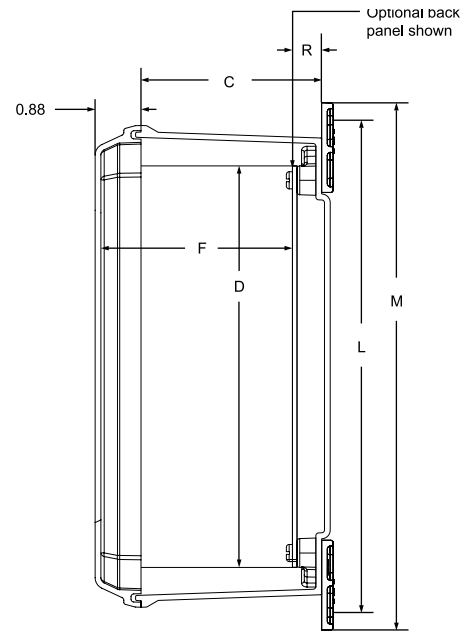


# Polyester Modular Enclosures - NEMA 4X

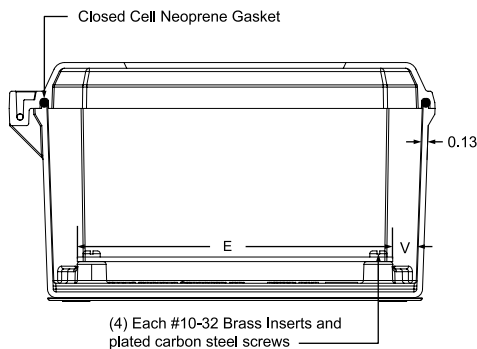
## PJU Series - Lift-Off, Window Door



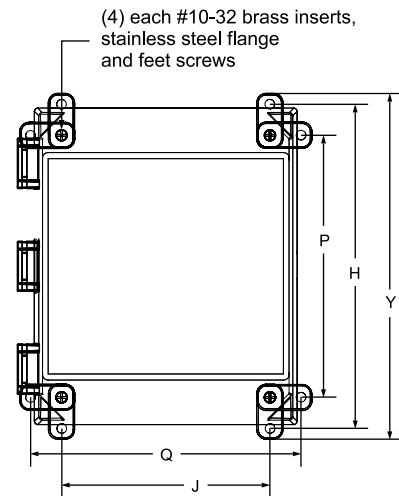
**Top View**



**Side View**



**Front View**



**Rear View**

Lift Off Clear Cover Flange Part No.	Lift Off Clear Cover Feet Part No.	N	H	J	P	Q	U	W	Y	R	V	Panel Part No.	Shipping Weight (lbs)
PJU664CCF <sup>3</sup>	PJU664CC <sup>3</sup>	4.80	6.75	4.91	4.69	6.97	6.50	6.72	7.47	0.70	0.52	14R0505	4
PJU864CCF <sup>3</sup>	PJU864CC <sup>3</sup>	4.75	8.75	4.91	6.69	6.97	8.50	6.72	9.46	0.70	0.62	14R0705	4
PJU1084CCF <sup>1</sup>	PJU1084CC <sup>1</sup>	6.75	10.75	6.91	8.69	8.97	10.50	8.72	11.47	0.70	0.53	14R0907	6
PJU12106CCF <sup>1</sup>	PJU12106CC <sup>1</sup>	8.75	12.70	8.82	10.64	10.88	12.50	10.72	13.47	0.68	0.44	14R0907	6
PJU14126CCF <sup>2</sup>	PJU14126CC <sup>2</sup>	10.75	14.70	10.82	12.64	12.88	14.50	12.72	15.37	0.70	0.46	14R1109	8
PJU16148CCF <sup>3</sup>	PJU16148CC <sup>3</sup>	12.75	16.91	11.47	13.50	14.88	16.50	14.72	17.50	0.70	0.40	14R1311	11
N/A	N/A	12.75	19.16	13.72	15.75	17.13	18.75	16.97	19.89	0.70	0.45	14R1513	12
N/A	N/A	12.75	20.53	13.16	17.13	16.56	20.50	16.72	21.28	0.70	0.50	P1868	17

1 Available 4th Qtr 2006

2 Available 1st Qtr 2007

3 Available 2nd Qtr 2007

4 Available 3rd Qtr 2007

For aluminum and fiberglass panels...see page 130.

Technical references and DXF downloads available at [www.hamfmfg.com](http://www.hamfmfg.com)

All dimensions in inches unless specified otherwise

**Quality Enclosures. Service Excellence.**

Corrosion Resistant Walkmount Enclosures

# Polyester Modular Enclosures - NEMA 4X

## PJU Series - Hinged Screw Cover, Window Door



Clear Cover



Corrosion Resistant

Wallmount Enclosures

### Application

- Designed for use as instrument enclosures, electric, hydraulic or pneumatic control housings, electrical junction boxes or terminal wiring enclosures.
- Provides outstanding insulation and protection where equipment may be hosed down or be very wet.
- Ideal in applications with high temperatures or highly corrosive environments.

### Standards

- UL 508 Type 1, 2, 3, 4, 4X, 12 and 13
- CSA Type 1, 2, 3, 4, 4X, 12 and 13
- Complies with
  - NEMA Type 1, 2, 3, 4, 4X, 12 and 13
- IEC 529, IP66

### Construction

- Molded fiberglass polyester enclosure with matching cover is easily punched, cut, or drilled.
- Enhanced UV inhibitors protect against outdoor weathering.
- Standard JIC sizes under 18" x 16".
- Threaded brass inserts are provided for optional inner panel or terminal kit mounting. Mounting hardware is included.
- Cover fastened with captive stainless steel screws in threaded brass inserts.
- Enclosure available with clear Polycarbonate cover to 16" x 20".
- Molded hinge with stainless steel pin.
- Captive oil resistant gasket provides a positive seal.
- Available with Polycarbonate flange or foot mount brackets for multi-directional mounting.
- Operating temperatures between 130°C and -40°C (266°F to -40°F).
- Impact index of 6.78J (5 ft/lb).
- For corrosion resistance information, please refer to table in the Technical Information section... *see page 399.*

### Finish

- Fiberglass polyester material has a gray finish.
- Optional inner panels are available in white powder coated finished steel or unfinished aluminum, or Fiberglass.

### Accessories

- Painted steel inner panels.
- PJ/ PJU swing panel
- Unfinished aluminum inner panels
- Fiberglass inner panels
- Terminal kit assemblies

Hinged Screw Cover Flange Part No.	Hinged Screw Cover Feet Part No.	Overall Dimensions			Panel Size			Panel Centers		Flange Mounting Centers		
		A	B	C	D	E	F	S	Z	L	K	M
PJU664HF <sup>3</sup>	PJU664H <sup>3</sup>	6.05	6.27	4.13	4.88	4.88	4.11	4.25	4.25	6.88 / 6.75	4.05	7.62
PJU864HF <sup>3</sup>	PJU864H <sup>3</sup>	8.05	6.27	4.13	6.75	4.88	4.11	6.25	4.25	8.88 / 8.75	4.00	9.62
PJU1084HF <sup>1</sup>	PJU1084H <sup>1</sup>	10.05	8.27	4.13	8.75	6.88	4.11	10.25	6.25	10.75	6.00	11.50
PJU12106HF <sup>1</sup>	PJU12106H <sup>1</sup>	12.05	10.27	6.13	10.75	8.88	6.11	10.25	8.25	12.75	8.00	13.50
PJU14126HF <sup>2</sup>	PJU14126H <sup>2</sup>	14.05	12.27	6.13	12.75	10.88	6.11	12.25	10.25	14.75 / 14.62	10.00	15.37
PJU16148HF <sup>3</sup>	PJU16148H <sup>3</sup>	16.05	14.27	8.13	14.75	12.88	8.11	14.25	12.25	16.75	12.00	17.50
PJU181610HF <sup>4</sup>	PJU181610H <sup>4</sup>	18.30	16.52	10.13	16.88	14.88	10.11	16.25	14.25	18.88 / 18.76	12.00	20.12
PJU201610HF <sup>4</sup>	PJU201610H <sup>4</sup>	20.50	16.27	10.13	18.44	14.44	10.11	17.81	13.81	21.25	10.00	21.50

1 Available 4th Qtr 2006

2 Available 1st Qtr 2007

3 Available 2nd Qtr 2007

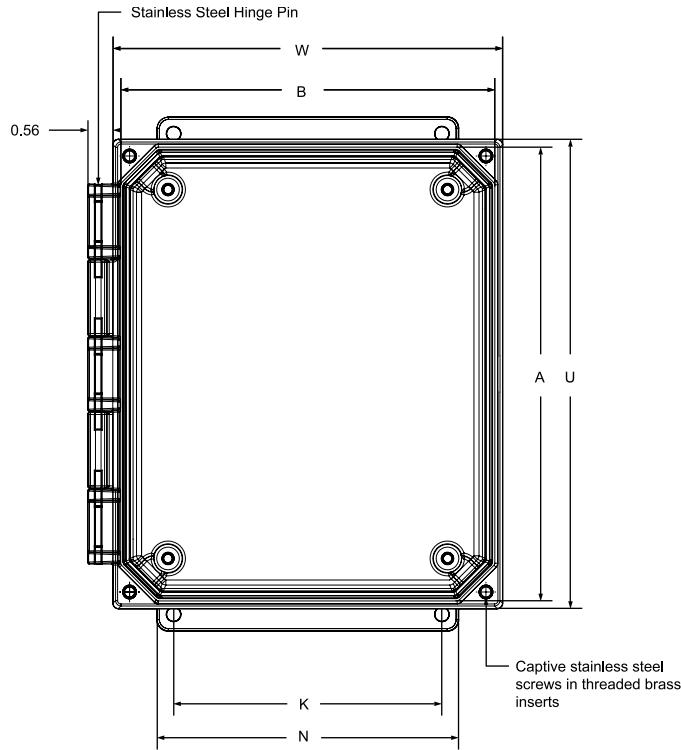
4 Available 3rd Qtr 2007

Technical references and DXF downloads available at [www.hammfg.com](http://www.hammfg.com)

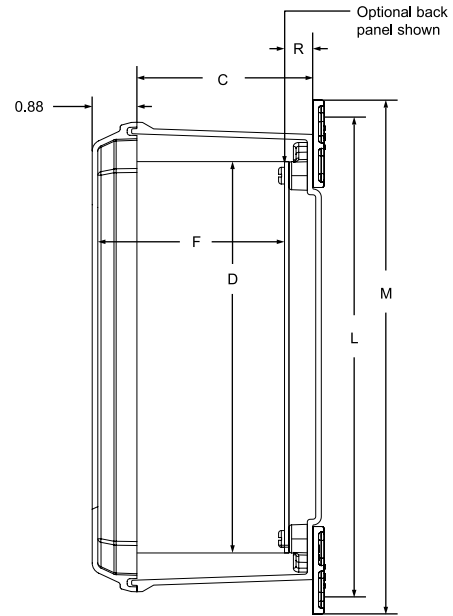
All dimensions in inches unless specified otherwise

# Polyester Modular Enclosures - NEMA 4X

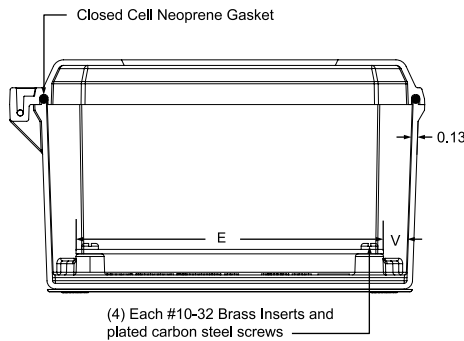
## PJU Series - Hinged Screw Cover, Window Door



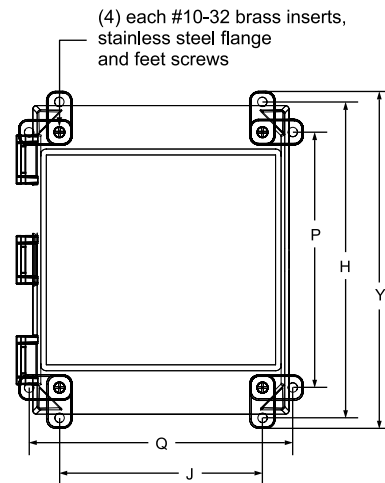
**Top View**



**Side View**



**Front View**



**Rear View**

Corrosion Resistant Wallmount Enclosures

Hinged Screw Clear Cover Flange Part No.	Hinged Screw Clear Cover Feet Part No.	N	H	J	P	Q	U	W	Y	R	V	Panel Part No.	Shipping Weight (lbs)
PJU664CCHF <sup>3</sup>	PJU664CCH <sup>3</sup>	4.80	6.75	4.91	4.69	6.97	6.50	6.72	7.47	0.70	0.52	14R0505	4
PJU864CCHF <sup>3</sup>	PJU864CCH <sup>3</sup>	4.75	8.75	4.91	6.69	6.97	8.50	6.72	9.46	0.70	0.62	14R0705	4
PJU1084CCHF <sup>1</sup>	PJU1084CCH <sup>1</sup>	6.75	10.75	6.91	8.69	8.97	10.50	8.72	11.47	0.70	0.53	14R0907	6
PJU12106CCHF <sup>1</sup>	PJU12106CCH <sup>1</sup>	8.75	12.70	8.82	10.64	10.88	12.50	10.72	13.47	0.68	0.44	14R0907	6
PJU14126CCHF <sup>2</sup>	PJU14126CCH <sup>2</sup>	10.75	14.70	10.82	12.64	12.88	14.50	12.72	15.37	0.70	0.46	14R1109	8
PJU16148CCHF <sup>3</sup>	PJU16148CCH <sup>3</sup>	12.75	16.91	11.47	13.50	14.88	16.50	14.72	17.50	0.70	0.40	14R1311	11
N/A	N/A	12.75	19.16	13.72	15.75	17.13	18.75	16.97	19.89	0.70	0.45	14R1513	12
N/A	N/A	12.75	20.53	13.16	17.13	16.56	20.50	16.72	21.28	0.70	0.50	P1868	17

1 Available 4th Qtr 2006

2 Available 1st Qtr 2007

3 Available 2nd Qtr 2007

4 Available 3rd Qtr 2007

For aluminum and fiberglass panels...see page 130.

Technical references and DXF downloads available at [www.hamfmfg.com](http://www.hamfmfg.com)

All dimensions in inches unless specified otherwise

**Quality Enclosures. Service Excellence.**

# Polyester Modular Enclosures - NEMA 4X

## PJU Series - Viewing Window Door

### Application

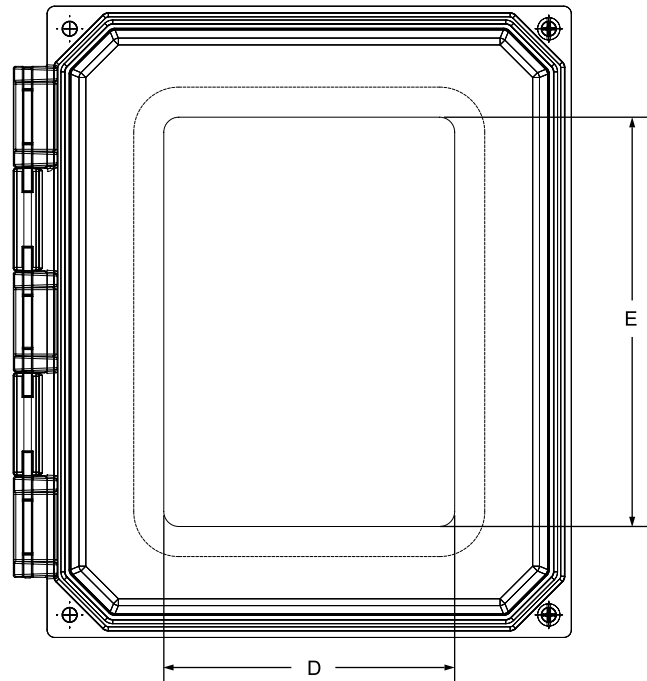
- Designed for use as instrument enclosures, electric, hydraulic or pneumatic control housings, electrical junction boxes or terminal wiring enclosures.
- Provides outstanding insulation and protection where equipment may be hosed down or be very wet.
- Ideal in applications with high temperatures or highly corrosive environments.

Panel Sold Separately



### Standards

- UL 508 Type 1, 2, 3, 4, 4X, 12 and 13
- CSA Type 1, 2, 3, 4, 4X, 12 and 13
- Complies with
  - NEMA Type 1, 2, 3, 4, 4X, 12 and 13
  - IEC 529, IP66



- High UV resistant Polycarbonate Viewing Window
- Factory installed
- Maintains Nema 4X ratings

Corrosion Resistant

Wallmount Enclosures

Part No.	Overall Dimensions			Viewing Window	
	Height	Width	Depth	D	E
PJU664*3	6.05	6.27	4.13	3.50	3.50
PJU864*3	8.05	6.27	4.13	4.00	5.25
PJU1084*1	10.05	8.27	4.13	4.25	6.25
PJU12106*1	12.05	10.27	6.13	6.50	8.38
PJU14126*2	14.05	12.27	6.13	8.50	10.38
PJU16148*3	16.05	14.27	8.13	10.50	12.38
PJU181610*4	18.30	16.52	10.13	11.00	13.00
PJU201610*4	20.50	16.27	10.13	12.00	14.00

1 Available 4th Qtr 2006  
3 Available 2nd Qtr 2007

2 Available 1st Qtr 2007  
4 Available 3rd Qtr 2007

\* see chart below for full part number & latch including mounting feet

Lift Off Viewing Window Flange	Lift Off Viewing Window Feet	Hinged Screw Cover Viewing Window Flange	Hinged Screw Cover Viewing Window Feet	Hinged Snap Latch Viewing Window Flange	Hinged Snap Latch Viewing Window Feet	Hinged Twist Latch Viewing Window Flange	Hinged Twist Latch Viewing Window Feet
PJU664WF	PJU664W	PJU664HWF	PJU664HW	PJU664LWF	PJU664LW	PJU664TWF	PJU664TW
PJU864WF	PJU864W	PJU864HWF	PJU864HW	PJU864LWF	PJU864LW	PJU864TWF	PJU864TW
PJU1084WF	PJU1084W	PJU1084HWF	PJU1084HW	PJU1084LWF	PJU1084LW	PJU1084TWF	PJU1084TW
PJU12106WF	PJU12106W	PJU12106HWF	PJU12106HW	PJU12106LWF	PJU12106LW	PJU12106TWF	PJU12106TW
PJU14126WF	PJU14126W	PJU14126HWF	PJU14126HW	PJU14126LWF	PJU14126LW	PJU14126TWF	PJU14126TW
PJU16148WF	PJU16148W	PJU16148HWF	PJU16148HW	PJU16148LWF	PJU16148LW	PJU16148TWF	PJU16148TW
PJU181610WF	PJU181610W	PJU181610HWF	PJU181610HW	PJU181610LWF	PJU181610LW	PJU181610TWF	PJU181610TW
PJU201610WF	PJU201610W	PJU201610HWF	PJU201610HW	PJU201610LWF	PJU201610LW	PJU201610TWF	PJU201610TW

Technical references and DXF downloads available at [www.hammmfg.com](http://www.hammmfg.com)

All dimensions in inches unless specified otherwise

## Polyester Modular Enclosures - NEMA 4X

### PJ Accessories

Corrosion Resistant Junction Boxes/JIC Enclosures

### PJ Series Inner Panel

- 14 gauge steel panels are finished in white baked powder coating.
- Aluminum panels are 0.080" (2.03 mm) type 5052 H-32 aluminum, unpainted. A2420 and larger panels are 0.125".
- Fiberglass inner panels are Finished in white
- Hardware to mount inner panel is included with PJ Series Enclosures.

Steel Part No.	Aluminum Part No.	Fiberglass Part No.	Fiberglass Thickness	Panel		For Use With PJ Series	
				Length	Width	A	B
14R0505	14A0505	14F0505	0.125	4.88	4.88	6.10	6.10
14R0705	14A0705	14F0705	0.125	6.75	4.88	8.00	6.13
14R0907	14A0907	14F0907	0.125	8.75	6.88	10.14	8.26
14R1109	14A1109	14F1109	0.125	10.75	8.88	12.14	10.26
14R1311	14A1311	14F1311	0.187	12.75	10.88	14.13	12.25
14R1513	14A1513	14F1513	0.187	14.75	12.88	16.28	14.40
P1868	A1868	F1868	0.187	16.88	14.88	18.40	16.40
P2068	A2068	F2068	0.250	18.44	14.44	20.00	16.00
18P2117	A2420	F2420	0.250	21.00	17.00	24.00	20.00
18P2121	A2424	F2424	0.250	21.00	21.00	24.00	24.00
18P2721	A3024	F3024	0.250	27.00	21.00	30.00	24.00

### Moulded Polycarbonate Flange For PJU Series (sold in Pairs)



Part No.	PJU Flange Fits
PJFPUWM6	6x6, 8x6
PJFPUWM108	10x8
PJFPUWM1210	12x10
PJFPUWM1412	14x12
PJFPUWM1614	16x14
PJFPUWM1816	18x16
PJFPUWM2016	20x16

### Moulded Polycarbonate Feet For PJU Series (sold in sets of 4)



Part No.	PJU Feet Fits
PJW4NUFS	6x6 through 14x12
PJW4NULFS	16x14 through 20x16

### Stainless Mounting Feet For PJ Series (sold in sets of 4)



Part No.	304 SS PJ Feet Fits
PJW4NFS	6x6 through 20x16
PJW4NLS	24x20 through 30x24

### PJ/PJU Series Swing Panel



#### Use with PJ Series Raised Lid Enclosures

Part No.	Panel Dimensions	
	Height	Width
PJSP108	9.50	7.50
PJSP1210	11.50	9.50
PJSP1412	13.50	11.50
PJSP1614	15.13	13.00
PJSP1816	17.25	15.38
PJSP2016	18.88	14.94
PJSP2020	23.25	19.38
PJSP2024	23.38	23.25
PJSP3024	29.25	23.38

#### Use with PJU Series Enclosures

Part No.	Panel Dimensions	
	Height	Width
PJSPU108	9.64	7.87
PJSPU1210	11.64	9.86
PJSPU1412	13.64	11.86
PJSPU1614	15.64	13.86
PJSPU1816	17.90	15.99
PJSPU2016	19.65	15.55

- Hinged aluminum panel.
- Mounts at front of enclosure body.
- Field installed with no drilling required.

Technical references and DXF downloads available at [www.hammfg.com](http://www.hammfg.com)

All dimensions in inches unless specified otherwise

Quality Enclosures. Service Excellence.

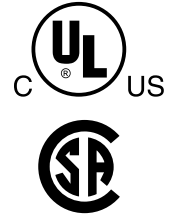
# Polyester Enclosures - NEMA 4X

## PJW Series - Continuous Hinge Wallmount

Corrosion Resistant Wallmount Enclosures



**Panel  
Sold  
Separately**



### Application

- Designed for use as instrument enclosures, electric, hydraulic or pneumatic control housings, electrical junction boxes or terminal wiring enclosures.
- Provides outstanding insulation and protection where equipment may be hosed down or be very wet.
- Ideal in applications with high temperatures or highly corrosive environments.

### Standards

- UL/cUL 508 Type 1, 2, 3, 4, 4X, 12 and 13
- CSA Type 1, 2, 3, 4, 4X, 12 and 13
- **Complies with**
  - NEMA Type 1, 2, 3, 4, 4X, 12 and 13
  - IEC 60529, IP66

### Construction

- Molded fiberglass polyester enclosure with matching cover is easily punched, cut, or drilled.
- Enhanced UV inhibitors protect against outdoor weathering.
- 3/8 collar studs are provided for optional inner panel mounting, hardware included.
- Stainless steel butterfly type "twist latch" door fasteners with padlock provision.
- Captive oil resistant gasket provides a positive seal.
- Integrated mounting flange.
- Operating temperatures between 130°C and -40°C (266°F to -40°F).
- Impact index of 6.78J (5 ft/lb).
- For corrosion resistance information, please refer to table in the Technical Information section... *see page 403.*

### Finish

- Fiberglass polyester material has a gray finish.
- Optional inner panels are available in white powder coated finished steel, unfinished aluminum, or Fiberglass.

### Accessories

- Painted steel inner panels
- Unfinished aluminum inner panels
- Fiberglass innerpanels
- Terminal kit assemblies
- Viewing windows

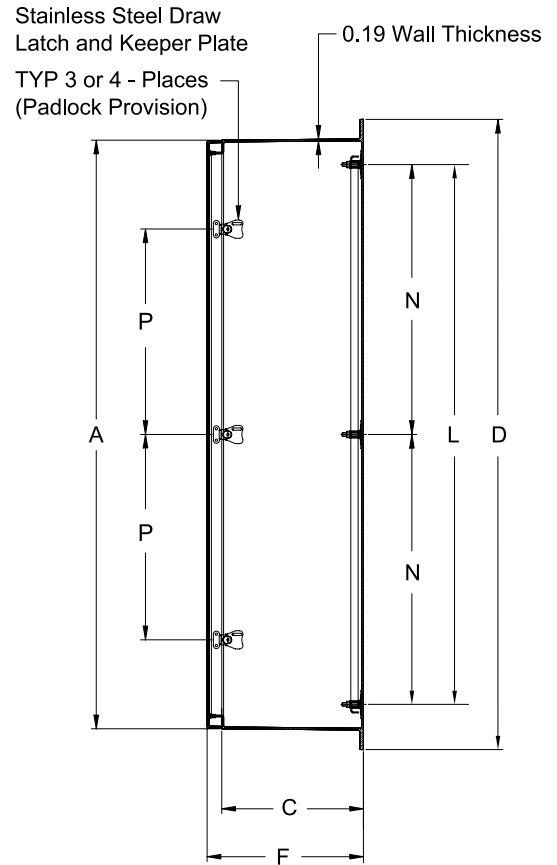
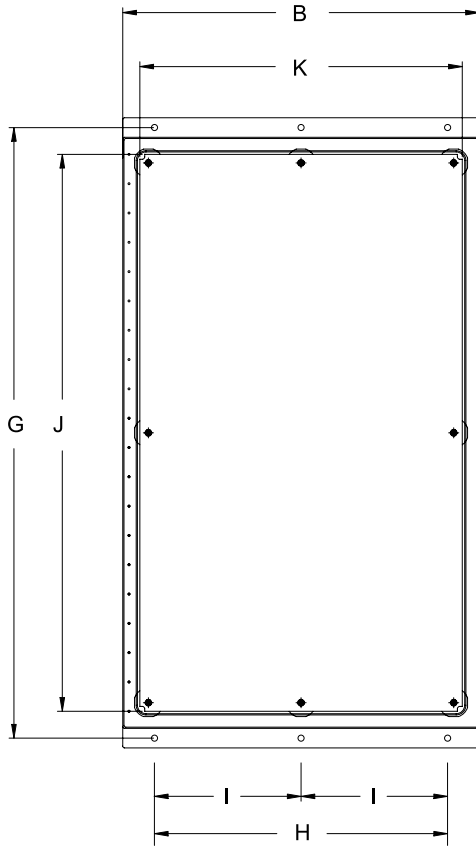
Part No.	Dimensions						Mounting Centers				
	A	B	C	D	E	F	G	H	I	J	K
<b>PJW363010L</b>	36.25	30.25	10.13	40.50	30.50	12.00	38.50	24.00	12.00	33.88	27.88
<b>PJW363014L</b>	36.25	30.25	14.13	40.50	30.50	16.00	38.50	24.00	12.00	33.88	27.88
<b>PJW363610L</b>	36.25	36.25	10.13	40.50	36.50	12.00	38.50	30.00	15.00	33.88	33.88
<b>PJW363614L</b>	36.25	36.25	14.13	40.50	36.50	16.00	38.50	30.00	15.00	33.88	33.88
<b>PJW483610L</b>	48.25	36.25	10.13	52.50	36.50	12.00	50.50	30.00	15.00	45.38	33.88
<b>PJW483614L</b>	48.25	36.25	14.13	52.50	36.50	16.00	50.50	30.00	15.00	45.38	33.88
<b>PJW603610L</b>	60.25	36.25	10.13	64.50	36.50	12.00	62.50	30.00	15.00	57.38	33.88
<b>PJW603614L</b>	60.25	36.25	14.13	64.50	36.50	16.00	62.50	30.00	15.00	57.38	33.88

Technical references and DXF downloads available at [www.hamcfg.com](http://www.hamcfg.com)

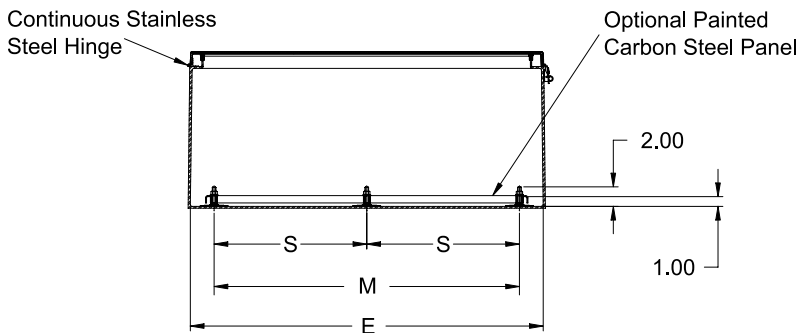
All dimensions in inches unless specified otherwise

# Polyester Enclosures - NEMA 4X

## PJW Series - Continuous Hinge Wallmount



Corrosion Resistant Wallmount Enclosures



Part No.	Panel Size				# of Latches	# of Panel Mount Studs	Panel Height	Panel Width	Panel Part No.	Ship Weight (lbs)
	M	N	S	P						
PJW363010L	25.25	15.63	12.63	12.13	3	6	33	27	18P3327	59
PJW363014L	25.25	15.63	12.63	12.13	3	6	33	27	18P3327	64
PJW363610L	31.25	15.63	15.63	12.13	3	8	33	33	18P3333	72
PJW363614L	31.25	15.63	15.63	12.13	3	8	33	33	18P3333	77
PJW483610L	31.25	21.63	15.63	18.13	3	8	45	33	18P4533	83
PJW483614L	31.25	21.63	15.63	18.13	3	8	45	33	18P4533	91
PJW603610L	31.25	27.63	15.63	16.00	4	8	57	33	18P5733	101
PJW603614L	31.25	27.63	15.63	16.00	4	8	57	33	18P5733	122

Technical references and DXF downloads available at [www.hamfmfg.com](http://www.hamfmfg.com)

All dimensions in inches unless specified otherwise

**Quality Enclosures. Service Excellence.**

# Polyester Enclosures - NEMA 4X

## Series - Continuous Hinge Freestanding

Corrosion Resistant Freestanding Enclosures



**Panel Sold Separately**



### Application

- Designed for use as instrument enclosures, electric, hydraulic or pneumatic control housings, electrical junction boxes or terminal wiring enclosures.
- Provides outstanding insulation and protection where equipment may be hosed down or be very wet.
- Ideal in applications with high temperatures or highly corrosive environments.

### Standards

- UL/cUL 508 Type 1, 2, 3, 4, 4X, 12 and 13
- CSA Type 1, 2, 3, 4, 4X, 12 and 13
- **Complies with**
  - NEMA Type 1, 2, 3, 4, 4X, 12 and 13
  - IEC 60529, IP66

### Construction

- Fiberglass polyester enclosure with matching door is easily punched, cut, or drilled.
- Enhanced UV inhibitors protect against outdoor weathering.
- Collar Studs are provided for optional inner panel.
- Mounting hardware included.
- Heavy duty continuous 304 SS Hinge.
- Flexible self-gripping gasket compresses over flange for tight seal.
- 3-point SS handle with pad lock provision.
- Molded in drip shield
- Fiberglass mounting strut side walls on double door unit.
- Operating temperatures between 130°C and -40°C (266°F to -40°F).
- Impact index of 6.78J (5 ft/lb).
- For corrosion resistance information, please refer to table in the Technical Information section.

### Finish

- Fiberglass polyester material has a gray finish.
- Optional inner panels are available in white powder coated finished steel.

### Accessories

- Viewing windows

#### Single Door

Part Number	Height	Width	Depth	Ship Wt (lbs)
<b>PJFS722525</b>	72.0	25.0	24.5	215

#### Double Door

Part Number	Height	Width	Depth	Ship Wt (lbs)
<b>PJFS724925DD</b>	72.0	48.0	24.5	430

#### Inner Panel - Painted Steel - Qty 1 Required

Part Number	Height	Width	Finish
<b>18P5721</b>	57.0	21.0	White

#### Inner Panel - Painted Steel - Qty 2 Required

Part Number	Height	Width	Finish
<b>18P5721</b>	57.0	21.0	White

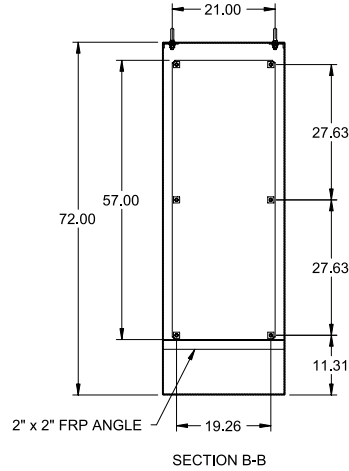
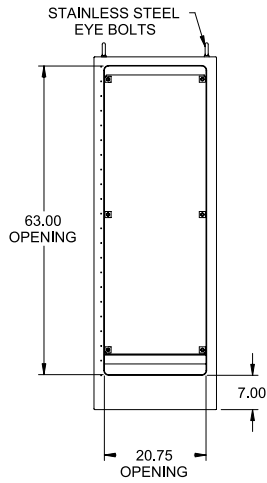
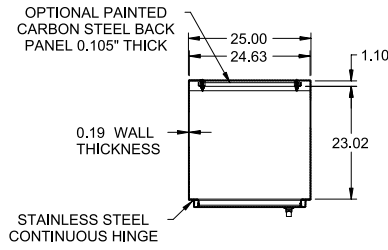
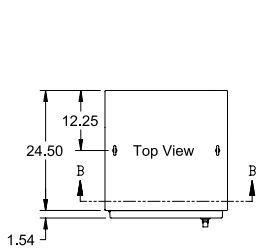
Technical references and DXF downloads available at [www.hammmfg.com](http://www.hammmfg.com)

All dimensions in inches unless specified otherwise



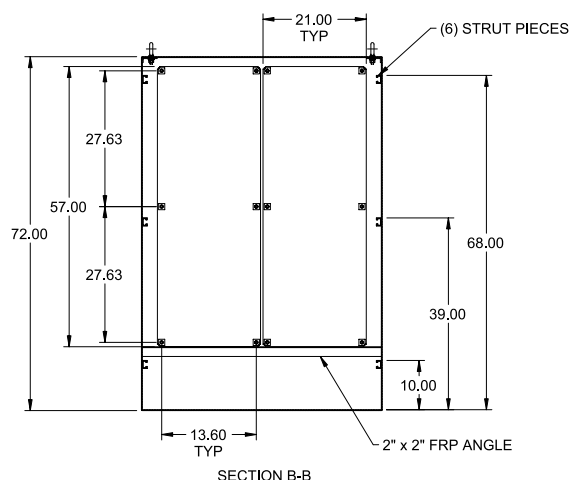
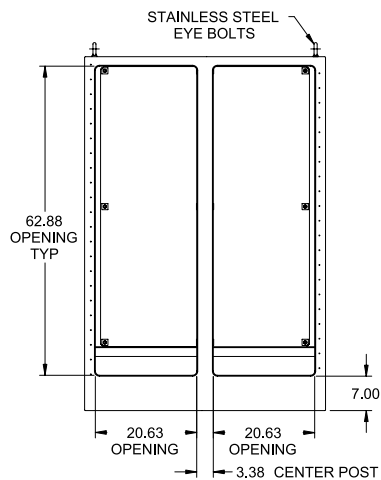
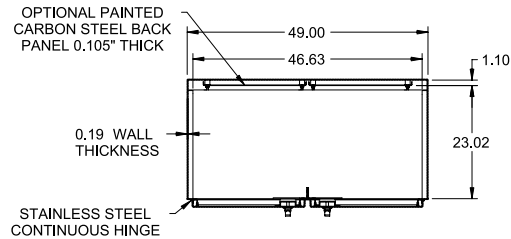
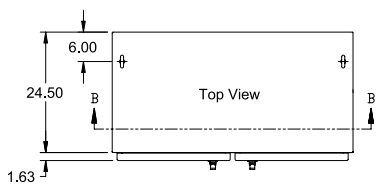
# Polyester Enclosures - NEMA 4X

## PJFS Series - Continuous Hinge Freestanding



**Front View**  
**(with Single Door Open)**

**Internal View**



**Front View**  
**(with Double Doors Open)**

**Internal View**

Corrosion Resistant

Freestanding Enclosures

# Polyester Modular Enclosures - NEMA 4X

## PW Series - Wallmount Enclosures

Corrosion Resistant Wallmount Enclosures



Panel  
Sold  
Separately



### Application

- Designed to house Industrial control, instrumentation, pneumatic, valve and pump control systems.
- Excellent protection against corrosion and ultra violet rays making this a suitable enclosure for outdoor installations.
- High resistance to impact and temperature for industrial installations when subjected to frequent water exposure.

### Standards

- UL/cUL 508 Type 1, 2, 3, 4, 4X, 12 & 13
- **Complies with**
  - NEMA 1, 2, 3, 3R, 3S, 4, 4X, 12, 13
  - IEC 60529, IP 66

### Construction

- Fiberglass reinforced polyester is self extinguishing and has operating temperatures of -50°C to 150°C (-58°F to 302°F).
- One piece monoblock body.
- Entire enclosure can be reversed to allow door to swing right or left.
- Built-in canopy at top and bottom protects the door and gasket and allows reversibility.
- Self-ventilating openings are located at the rear of the enclosure to permit installation of breather or pressure compensation plugs.
- Internal stainless steel hinges, built into the door with captive pins.
- Door opening of over 180°.
- Quarter turn fasteners are located outside the gasketed area.
- Grid pattern is provided on inside door area for ease of locating equipment.
- Tamperproof "double bar" quarter turn fasteners.
- Dielectric rigidity > 5kV insulating resistance > 5 MW.
- For corrosion resistance information, please refer to table in the Technical Information section... see page 403.

### Finish

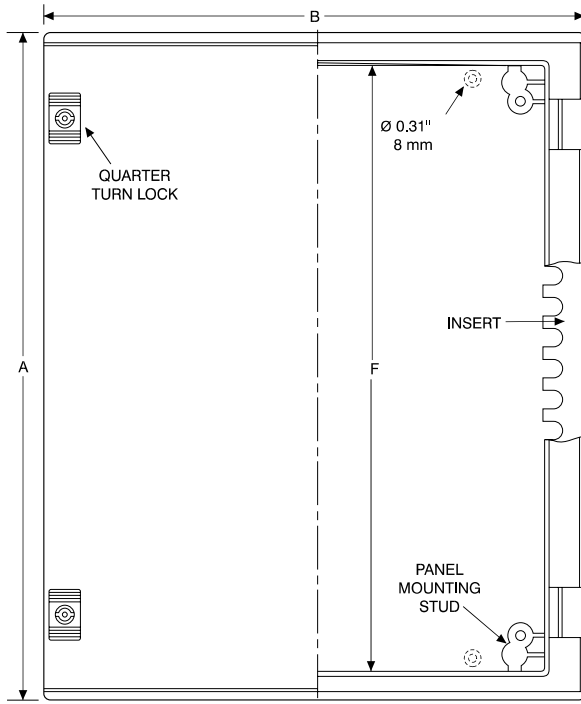
- Fiberglass polyester material is finished in RAL 7032 beige.
- Optional inner panels are available in white powder coated finished steel or unfinished aluminum.

### Accessories

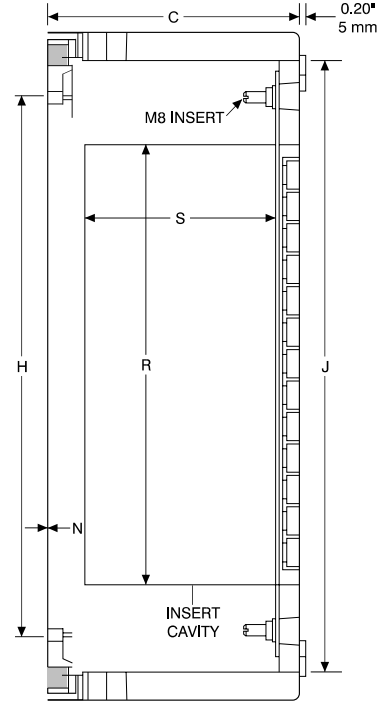
- Air vents
- Adjustable depth support
- Literature pocket
- Mounting feet
- Metal double bar enclosure keys
- Molded double bar enclosure keys
- Padlock adaptor
- Rail fixing inserts
- Rear blanking cover
- Painted steel inner panels
- Unfinished aluminum inner panels
- Viewing windows

# Polyester Modular Enclosures - NEMA 4X

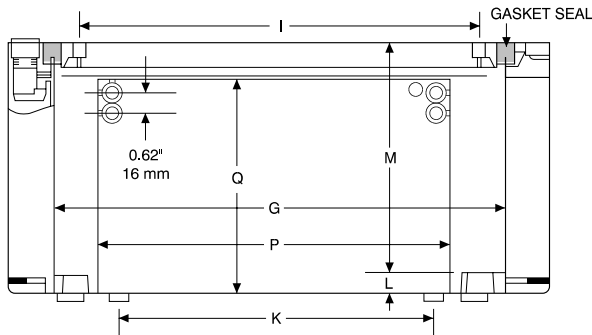
## PW Series - Wallmount Enclosures



**Front View**



**Side View**



**Cross Section of Body with Door Attached**

### Optional Inner Panels

Enclosure Part No.	Optional Steel Inner Panel Part No.		A	B
PW433320	PWP4333	inch	14.37	9.84
		mm	365	250
PW534320	PWP5343	inch	18.31	13.78
		mm	465	350
PW654425	PWP6544	inch	22.24	13.78
		mm	565	350
PW755430	PWP7554	inch	26.18	17.72
		mm	665	450
PW856430	PWP8564	inch	30.12	21.65
		mm	765	550

<sup>1</sup> For aluminum panel...see page 134.  
Inches are for reference only. Use metric for precise measurements.

Part No.	Overall Dimensions			Enclosure Opening		Surface Mtg Emboss								Ship Wt. lbs				
	A	B	C	F	G	H	I	J	K	L	M	N	P		Q	R	S	
PW433320	inch	16.9	13.0	7.9	15.0	10.2	12.8	8.9	14.8	5.9	0.5	7.1	0.1	7.0	6.6	9.7	5.9	10
	mm	430	330	200	380	260	325	225	375	150	13	181	2.7	179	168	247	150	
PW534320	inch	20.9	16.9	7.9	18.9	14.2	16.7	12.8	18.7	9.8	0.5	7.1	0.1	11.0	6.6	13.7	5.9	14
	mm	530	430	200	480	360	425	325	475	250	13	181	2.9	279	168	347	150	
PW654425	inch	25.5	17.2	9.8	22.8	14.2	20.7	12.8	22.6	9.8	0.5	9.0	0.1	11.0	8.3	15.3	7.6	18
	mm	647	436	250	580	360	525	325	575	250	13	228	2.9	279	212	388	192	
PW755430	inch	29.4	21.1	11.8	26.8	18.1	24.6	16.7	26.6	13.8	0.6	10.9	0.1	14.9	10.3	19.2	9.5	27
	mm	747	536	300	680	460	625	425	675	350	15	278	3.0	379	261	487	241	
PW856430	inch	33.3	25.0	11.8	30.7	22.0	28.5	20.7	30.5	17.7	0.6	10.9	0.1	18.9	10.3	23.1	9.5	33
	mm	847	636	300	780	560	725	525	775	450	15	278	3.0	479	261	587	241	

Inches are for reference only. Use metric for precise measurements.

Technical references and DXF downloads available at [www.hamfmfg.com](http://www.hamfmfg.com)

All dimensions in inches unless specified otherwise

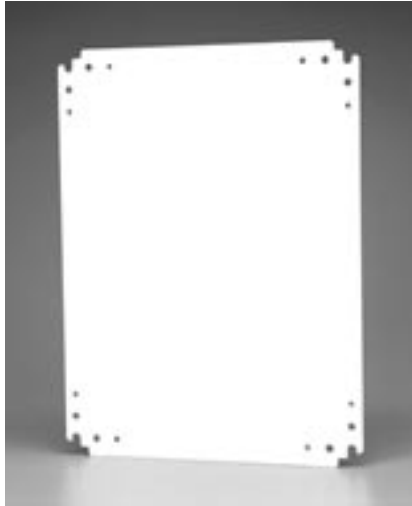
**Quality Enclosures. Service Excellence.**

# Polyester Modular Enclosures - NEMA 4X

## PW Series - Accessories

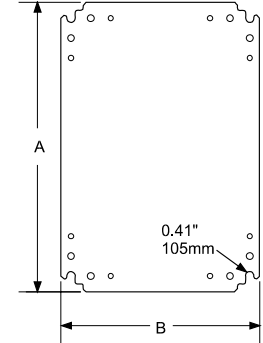
Corrosion Resistant

Wallmount Enclosures



### PW Series Inner Panel

- Available in steel or unfinished aluminum.
- 12 gauge steel panels are finished in white baked powder coating.
- Aluminum panels are 0.125" (3.2mm) unfinished.
- Hardware to mount inner panels is included with PW enclosures.



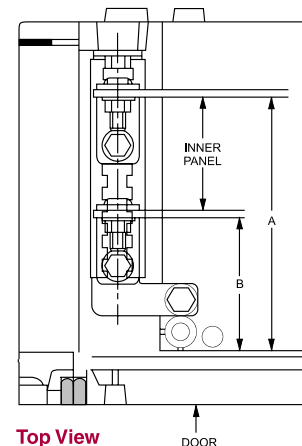
Steel Part No.	Aluminum Part No.	Fits Enclosure		A	B
PWP4333	PWPA4333	PW433320	inch	14.37	9.84
			mm	365	250
PWP5343	PWPA5343	PW534320	inch	18.31	13.78
			mm	465	350
PWP6544	PWPA6544	PW654425	inch	22.24	13.78
			mm	565	350
PWP7554	PWPA7554	PW755430	inch	26.18	17.72
			mm	665	450
PWP8564	PWPA8564	PW856430	inch	30.12	21.65
			mm	765	550



### PW Series Adjustable Depth Supports

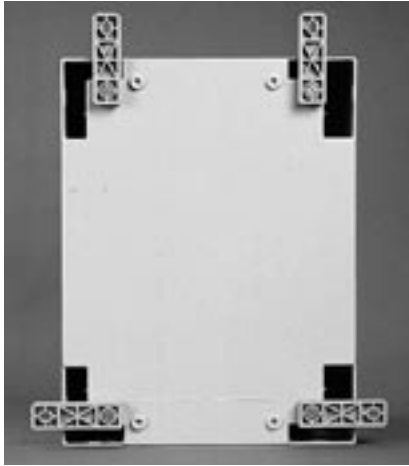
- Supports designed to fit 200 mm (7.88"), 250 mm (9.80"), 300 mm (11.80") and 350 mm (13.8") enclosures.
- Self positioning slots allowing for adjustment every 12.5 mm (0.50").
- Made of double chromed zinc coated steel.
- Attaches easily to the enclosure.

Part No.	Fits Enclosures		Full Back A	Full Front B
PWDC200	PW534320	inch	6.4	3.9
	PW433320	mm	162	99
PWDC250	PW654425	inch	8.1	4.1
		mm	205	105
PWDC300	PW755430	inch	10.0	8.1
	PW856430	mm	255	205



# Polyester Modular Enclosures - NEMA 4X

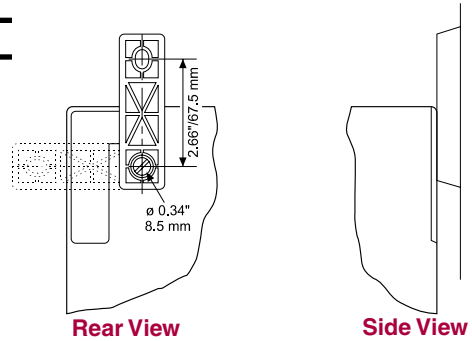
## PW Series - Accessories



### PW Series Mounting Feet

- Constructed of polyamide and fiberglass.
- Kit includes inserts and M8 screws to permit horizontal or vertical installation.
- Easily installed in the field.

Part No.	PWMF
----------	------



### PW Series Rear Blanking Cover

- Insulating rubber covers simply "snap" in covering the rear self-ventilating openings when additional protection is required.
- Easily installed in the field - no hardware required.
- Quantity of 4.

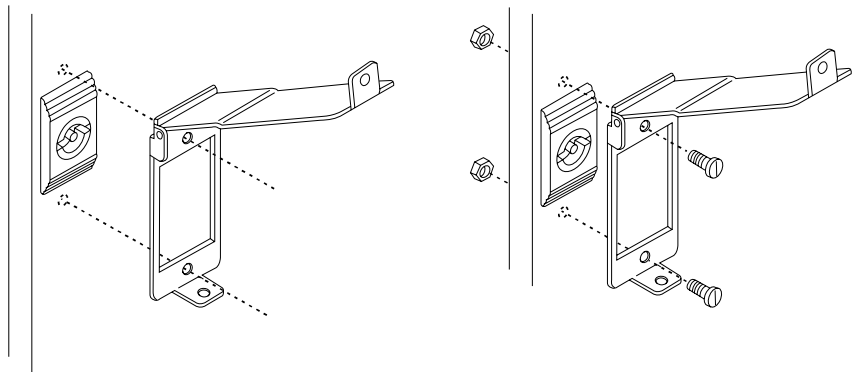
Part No.	Fits Enclosures
<b>PWRBG20</b>	PW433320 PW534320
<b>PWRBG2530</b>	PW654425 PW755430 PW856430



### PW Series Padlock Adaptor

- Permits installation of padlock over the standard "Double Bar" quarter turn.
- 1.5 mm thick stainless steel.
- Easy installed in the field.

Part No.	PWPA
----------	------



**Padlocking Lock System Installation**

Corrosion Resistant Wallmount Enclosures

# Polyester Modular Enclosures - NEMA 4X

## PW Series - Accessories

### Porthole Viewing Windows

- Made of high UV resistance polycarbonate.
- Installation template included.
- Pre-installed gasket.

Part No.		A	B	C
PVW1111CC	inch	3.66	3.66	0.32
	mm	93	93	8
PVW1814CC	inch	5.04	5.04	0.22
	mm	128	128	5.5



### Hinged Viewing Windows

- Made of high UV resistance poly-carbonate.
- Installation template included.
- Pre-installed gasket.
- Finger latches for easy opening with securing provision.

Part No.		A	B	C
PVW9577CC	inch	3.03	3.74	0.60
	mm	77	95	15
PVW1677CC	inch	3.03	6.42	0.60
	mm	77	163	15
PVW2077CC	inch	3.03	7.87	0.60
	mm	77	200	15



### Large Viewing Windows

- Made of high UV resistance poly-carbonate.
- Installation template included.
- Pre-installed gasket.
- Surface mounting on a wide variety of enclosures from steel to non-metallic.
- Quarter turn thumb latch.

Part No.		A	B
PVW2423CC	inch	9.76	9.25
	mm	248	235
PVW2929CC	inch	11.42	11.42
	mm	290	290



### Air Vents

- Designed to equalize external and internal temperatures and prevent condensation within the enclosure.
- Units are mounted within the self ventilating openings in PW Series.

Part No.	PVENT
Outside Diameter	1.76
Cutout Diameter	1.36

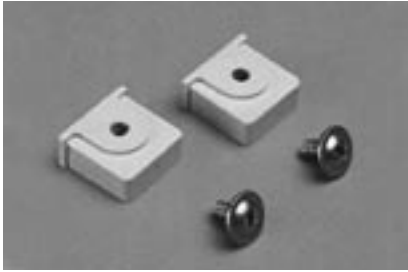


Technical references and DXF downloads available at [www.hammmfg.com](http://www.hammmfg.com)

All dimensions in inches unless specified otherwise

# Polyester Modular Enclosures - NEMA 4X

## PW Series - Accessories



### PW Series Rail Fixing Insert

- Insert nut specially designed to fit in the back of the enclosure for quick fixing of 35 mm (1.3") rails through self-tapping screws (included).
- Made of insulating material.
- Fits all sizes of PW enclosures.
- Packaged in quantities of two.

Part No. **PWIN**



### Metal Double Bar Enclosure Key

- PW Enclosures use a standard double bar key. One molded key is shipped with the enclosure, however in the instance you lose the key, or would like backup, they are available for order.
- Metal key fits all sizes of PW Enclosures.
- Packaged individually.

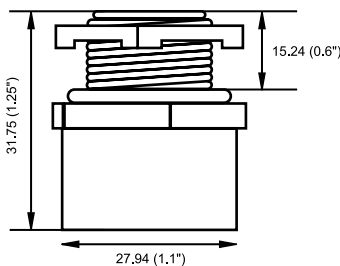
Part No. **PMKEY**



### Molded Double Bar Enclosure Key

- PW Enclosures use a standard double bar key. One is shipped with the enclosure, however in the instance you lose the key, or would like backup, they are available for order.
- Molded key fits all sizes of PW Enclosures.
- Packaged individually.

Part No. **PWKEY**



### Breather Kit (Pressure Compensation Plug)

- Packaged individually.
- Provides for controlled pressure compensation due to temperature variations (i.e. night/day operation).
- Recommend two plugs per cabinet in opposite locations.
- Pipe Thread 1/2"NPT (actual dia. 0.84")

Part No. **BDN4XN1**

<b>CSA/A Ex Approvals:</b>	Class I, Zone 1, Ex e II Class I Division 2 Groups ABCD Class II EFG, Class III
<b>Ingress Protection:</b>	IP66, CSA Enclosure Type NEMA 4X
<b>Impact Resistance:</b>	20Nm (7Nm GF Nylon)
<b>Materials:</b>	Durethan BKV 30 N1 30% Glass Filled Nylon O Ring - Nitrile Fixing nut - Brass
<b>Operating Temp:</b>	-50C to +85C



Corrosion Resistant Wallmount Enclosures

# Polyester Modular Enclosures - NEMA 4X

## PHW Series - Heavy Duty Wallmount Enclosures

Corrosion Resistant Wallmount Enclosures



Panel  
Sold  
Separately



### Application

- These enclosures are specially designed to accommodate electrical, electronic, instrumentation and mechanical controls indoors and outdoors.
- For use where corrosion resistant watertight enclosures are needed to provide protection against windblown dust and rain, splashing and hose directed water.

### Standards

- UL 508 1, 3, 3R, 4, 4X, 12
- CSA 1, 3, 3R, 4, 4X, 12
- **Complies with**
  - NEMA 1, 3, 3R, 4, 4X, 12
  - IEC 529, IP 66

### Construction

- Compression molded, fiberglass reinforced polyester.
- Memory retaining, continuous door gasket standard.
- Molded in panel mounting inserts (except where noted).
- Integral mounting feet.
- Stainless steel hardware.
- Padlocking provision.
- Stainless steel butterfly type "twist latch" door fasteners.
- Door is supported with a continuous hinge.
- For corrosion resistance information, please refer to table in the Technical Information section...see *page 403*.

### Finish

- Fiberglass reinforced material is finished in light gray.

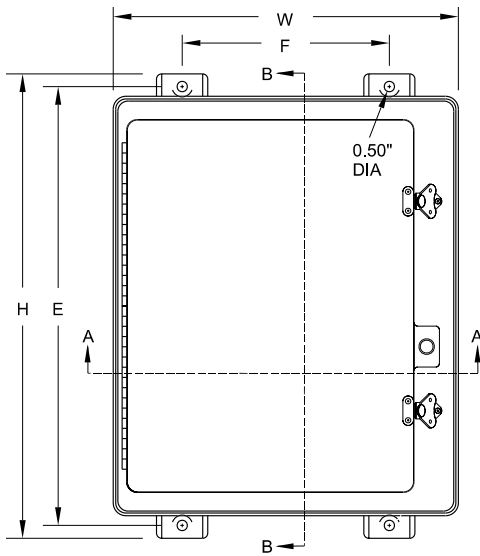
### Accessories

- Inner Panels

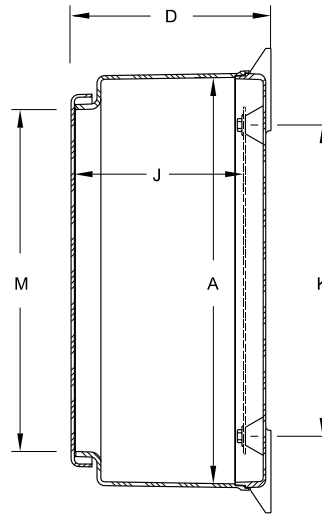


# Polyester Modular Enclosures - NEMA 4X

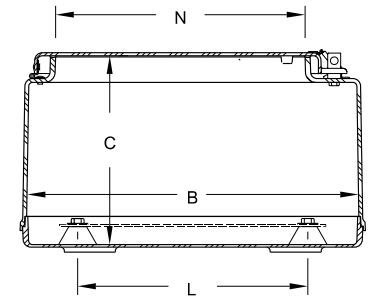
## PHW Series - Heavy Duty Wallmount Enclosures



**Front View**



**Section B-B**



**Section A-A**

**Corrosion Resistant Wallmount Enclosures**

Part No.	Overall Dimensions			Inside Dimensions			Mtg. Centers			Enclosure Opening			Optional Panel Part No.	Ship Wt. lbs		
	H	W	D	A	B	C	E	F	J	K	L	M			N	
PHW20166	inch	22.75	16.87	7.77	19.70	16.04	7.24	21.50	10.12	6.26	15.25	11.25	16.75	12.19	18P1713	17
	mm	578	429	197	500	407	184	546	257	159	387	286	425	310		
PHW20168	inch	22.75	16.87	9.77	19.70	16.04	9.24	21.50	10.12	8.26	15.25	11.25	16.75	12.19	18P1713	22
	mm	578	429	248	500	407	235	546	257	210	387	286	425	310		
PHW201610	inch	22.75	16.87	11.77	19.70	16.04	11.24	21.50	10.12	10.26	15.25	11.25	16.75	12.19	18P1713	23
	mm	578	429	299	500	407	286	546	257	261	387	286	425	310		
PHW201612	inch	22.75	16.87	13.77	19.70	16.04	13.24	21.50	10.12	12.26	15.25	11.25	16.75	12.19	18P1713	24
	mm	578	429	350	500	407	336	546	257	312	387	286	425	310		
PHW241210	inch	26.95	13.72	11.99	24.00	12.87	11.33	25.75	6.25	10.33	19.25	7.25	21.00	8.37	18P2109	25
	mm	685	348	304	610	327	288	654	159	262	489	184	533	213		
PHW24208	inch	27.00	21.24	9.90	24.05	20.39	9.25	25.75	14.00	8.25	19.25	15.25	21.25	16.00	18P2117	32
	mm	686	539	252	611	518	235	654	356	209	489	387	540	406		
PHW242410	inch	27.00	25.25	11.90	24.05	24.39	11.25	25.75	17.87	10.25	19.25	19.25	21.25	20.00	18P2121	42
	mm	686	641	302	611	619	286	654	454	260	489	489	540	508		
PHW30208	inch	32.86	20.99	9.89	29.90	20.14	9.23	31.75	14.25	8.23	25.25	15.25	27.00	16.50	19P2717	36
	mm	835	533	251	760	511	234	806	362	209	641	387	686	419		
PHW302010	inch	32.86	20.99	11.89	29.90	20.14	11.23	31.75	14.25	10.23	25.25	15.25	27.00	16.50	18P2717	39
	mm	835	533	302	760	511	285	806	362	260	641	387	686	419		
PHW30247	inch	33.41	26.32	8.81	30.46	25.47	8.12	32.25	18.50	7.12	25.25	19.25	27.38	21.25	18P2721	45
	mm	849	668	224	774	647	206	819	470	181	641	489	695	540		
PHW302410	inch	33.41	26.32	11.95	30.46	25.47	11.27	32.25	18.50	10.27	25.25	19.25	27.38	21.25	18P2721	50
	mm	849	668	304	774	647	286	819	470	261	641	489	695	540		
PHW302412	inch	33.41	26.32	13.79	30.46	25.47	13.10	32.25	18.50	12.1	25.25	19.25	27.38	21.25	18P2721	54
	mm	849	668	350	774	647	333	819	470	307	641	489	695	540		
PHW363010	inch	39.31	32.50	12.05	36.31	31.69	11.36	38.13	23.88	10.36	31.25	25.25	33.25	27.25	18P3327	78
	mm	999	826	306	922	805	289	968	606	263	794	641	845	692		
PHW363012	inch	39.31	32.50	14.05	36.31	31.69	13.36	38.13	23.88	12.36	31.25	25.25	33.25	27.25	18P3327	81
	mm	999	826	357	922	805	339	968	606	314	794	641	845	692		
PHW483616	inch	51.29	36.62	17.93	48.33	36.22	17.25	50.12	29.25	16.25	43.25	31.25	45.25	32.00	18P4533	108
	mm	1303	930	456	1228	920	438	1273	743	413	1099	794	1149	813		
PHW603616	inch	63.50	36.50	18.12	60.13	36.13	17.44	62.25	28.50	16.44	53.06	31	55.75	32.00	18P5733	155
	mm	1613	927	460	1527	918	443	1581	724	418	1348	787	1416	813		

Inches are for reference only. Use metric for precise measurements.

