

2UD, 2UDF & 2UDCP Two Door Disconnect Enclosures - NEMA 12

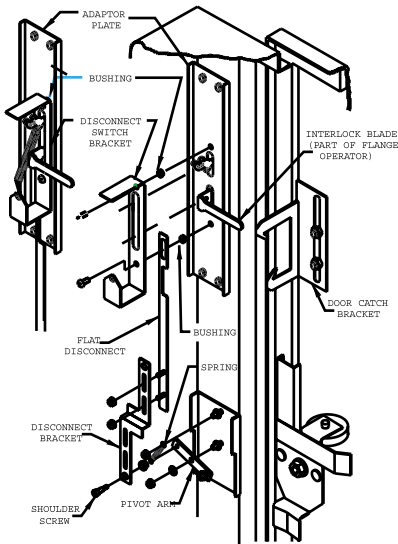
ABB Controls, Allen Bradley, Cutler Hammer, General Electric, Siemens I-T-E Max-Flex™, Square D

Disconnect

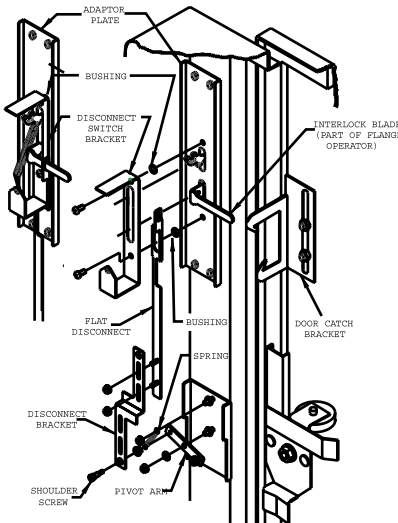
Operator Adaptor Kits

- All Universal series enclosures require one adaptor kit (ordered separately) to adapt the type of disconnect and mechanism to be used.
- Each brand and type requires a different adaptor kit.
- Each kit contains an adaptor plate and master door interlocking mechanism.
- Fully detailed, illustrated instructions included.

Version Shown Allen Bradley - 1494V H1



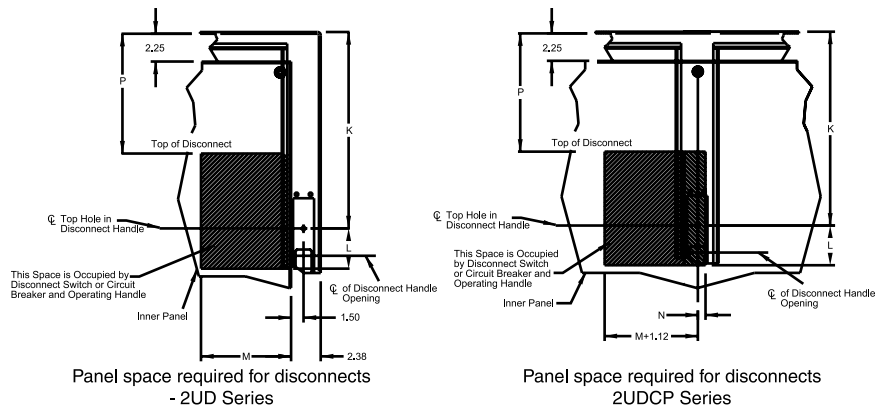
Version Shown Allen Bradley - 1494V H2



Part No.	Operator Make	Type
AKU	ABB Controls operating handle	
	Disconnect Switch	DSFHN-HS12
	Circuit Breaker	K7FHD-HS12
	Allen Bradley variable depth operating handle	
	Disconnect Switch	
	30-200 Circuit Breaker	1494V H1 1494V H11
	Cutler Hammer operating handle	
	Disconnect Switch	C361H1 or H3
	150A 250 to 600A Circuit Breaker C371 Flex-Shaft™ handle mechanism.	C371H1 or H3 C371H5 or H7
	General Electric operating handle	
	Disconnect Switch	STDA1or STDA2
	Circuit Breaker	STDA1or STDA2
	Circuit Breaker Spectra-Flex™ cable operators	
	150 to 600A	STDA1
	SK1200	STDA3
	Siemens I-T-E Max-Flex™ operating handle	
	Disconnect Switch variable depth	FHOHS
	Circuit Breaker	
	125 to 600	FHOH
	800 to 2000	FHOHN
		Square D class 9422 operating mechanism
Disconnect Switch variable depth		9422 type A1
Circuit Breaker variable depth		9422 type A1
	Disconnect Switch with cable mechanism	9422 type A1
	Circuit Breaker with cable mechanism	9422 type A1
AK1494FD	Allen Bradley	1494F and D
BPAK	Blank Adapter Plate	

Floormount Enclosures

Space Occupied by Disconnects



Note: Disconnects will occupy space on panel shown by dimensions "K", "L", "M" and "N". Wiring space "P" is available when disconnect is installed in the enclosure. The disconnect information and space occupied tables based on data supplied by disconnect manufacturer's bulletins. Hammond Manufacturing not responsible for dimensional accuracy.

Technical references and DXF downloads available at www.hammondenclosuresales.com

All dimensions in inches unless specified otherwise

2UD, 2UDF & 2UDCP Two Door Disconnect Enclosures - NEMA 12

ABB Controls, Allen Bradley, Cutler Hammer, General Electric, Siemens I-T-E Max-Flex™, Square D

Disconnect

Floormount Enclosures

Disconnect Ordering Information

ABB Controls

Disconnect switch:

- Flange operated switch (fusible or non-fusible)
- Shaft:
 - 12.13" deep enclosures use DSFHS-12
 - 18.13" deep enclosures use DSFHS-17
 - 24.13" deep enclosures, platform must be used with shaft (not included)
- Handle: DSFHN-HS12

Circuit breaker:

- Circuit breaker: ABB
- Operating mechanism
- Shaft:
 - 12.13" deep enclosures use K7FHD-S12
 - 18.13" deep enclosures use K7FHD-S17
 - 24.13" deep enclosures, platform must be used with shaft (not included)
- Handle mechanism: K7FHD-HS12

Allen Bradley

Bulletin 1494F flange mounted disconnect switch:

- Disconnect switch
- Fuse block adaptor (if required)
- Line and load connectors (if required)

1494D flange mounted circuit breaker operating mechanism, order:

- Circuit breaker: C-H Westinghouse
- Operating mechanism
- Slide mechanism

Bulletin 1494V flange mounted disconnect switch, order:

- Disconnect switch
- Operating handle
- Connecting rod (long)
- Trailer fuse block kit (if required)
- Fuse kit (if required)
- Line and load connectors (if required)

Bulletin 1494V flange mounted circuit breaker operating mechanism, order:

- Circuit breaker: C-H Westinghouse
- Operating mechanism
- Operating handle
- Connecting rod (long)
- When Allen Bradley 1494V devices are installed in 72" high enclosures with the operating handle mounted on the center post, an optional Allen Bradley channel support kit is recommended.

C-H Westinghouse

File C361 disconnect switch:

- Disconnect switch with an operating mechanism
- Operating handle: C361H1 or C361H3
- In 24.13" deep enclosures, platform must be used with shaft (not included)

File C371 circuit breaker operating mechanism with a C-H Westinghouse circuit breaker:

- Circuit breaker
- Operating mechanism
- Long operating rod (if required)
- Operating handle
 - 150A - C371H1 or C371H3
 - 250 through 600A - C371H5 or C371H7

Flex-Shaft™ handle mechanism:

- Circuit breaker
- Complete Flex-Shaft™ handle mechanism

General Electric

Disconnect switch:

- Disconnect switch: Type QMR or QMW
- Fuse clip kit or no-fuse kit
- Flange handle: STDA1 or STDA2
- Variable depth operating mechanism
- Extended length drive rod (if required)

Circuit breaker:

- Circuit breaker
- Flange handle: STDA1 or STDA2
- Variable depth operating mechanism
- Extended length drive rod (if required)
- An optional General Electric Flange Stiffener Kit (TDSR) is recommended when General Electric Type TDA devices are installed in 72.13" high enclosures with operating handle mounted on centerpost. Use with TDOM1, TDOM2, TDOM3, S100M1A, and S100M3 operating mechanisms.

Circuit breaker with Spectra-Flex™ cable operator:

- Circuit breaker
- Flange mounted handle mechanism
- 150 to 600A - STDA1
- SK1200 - STDA3
- Breaker mounted mechanism
- Operating cable

I-T-E Siemens

Disconnect switch:

- Basic switch (right-hand)
- Fuse kit or no-fuse kit
- Flange mounted handle: FHOHS
- Switch operator
- Operating cable:
 - FHOEC036 cable for 12.13" deep
 - FHOECO48 for 18.13" and 24.13" deep enclosures

Circuit breaker:

- Circuit breaker
- Pressure wire connectors
- Flange mounted handle
 - 100 to 600 - FHOH
 - 800 to 2000 - FHOHN
- Circuit breaker operator mechanism
- Operating cable:
 - 36" cable for 12.13" or 18.13" deep
 - 48" for 24.13" deep enclosures
- These items are available as a complete mechanism with a 36" operating cable only. Order items separately when using a 48" operating cable.

Square D

Disconnect switch:

- Disconnect switch with operating mechanism
- Universal handle mechanism: Type A-1
- Long operating rod (if required)

Circuit breaker:

- Circuit breaker
- Operating mechanism
- Universal handle mechanism: Type A-1
- Long operating rod (if required)

Class 9422 Type T disconnect switch with a cable mechanism:

- Disconnect switch with operating mechanism: Class 9422, Type T
- Handle mechanism: Class 9422, type A-1
- Cable mechanism: Class 9422 CFT_O, 3, 5, or 10 foot

Circuit breaker with a cable mechanism:

- Circuit breaker: Square D
- Handle mechanism: Class 9422, type A-1
- Cable mechanism: Class 9422 CFT_O, 3, 5, or 10 foot
- An optional Square D Channel flange Support Kit (9422-C1) is recommended when some Square D devices are installed in 72.13" high enclosures with operating handle mounted on centerpost.

2UD, 2UDF & 2UDCP Two Door Disconnect Enclosures - NEMA 12

ABB Controls, Allen Bradley, Cutler Hammer, General Electric, Siemens I-T-E Max-Flex™, Square D

Disconnect

ABB Controls

ABB Controls Disconnect Switches (Flange-Mounted Operators)

Fits Enclosure Height		ABB Switch Number	Amp Rating	Fuse Clip	Fuse Class	Space Occupied			When A=60.13	When A=72.13
60.13	72.13					L	M	N	P	P
•	•	OETL-NF30-F	30A	No Fuse	—	4.45	3.91	0.25	9.53	15.53
•	•	OETL-NF60-F	60A	No Fuse	—	4.86	3.91	0.25	9.34	15.34
•	•	OETL-NF100-F	100A	No Fuse	—	4.86	4.91	0.25	8.78	14.78
•	•	OETL-NF175-F	175A	No Fuse	—	7.30	6.62	0.25	6.53	12.53
•	•	OETL-NF200-F	200A	No Fuse	—	7.36	7.41	0.25	6.53	12.53
•	•	OESA-F30J6-F	30A	30A-600V	J	4.28	6.70	0.25	7.85	13.86
•	•	OESA-F60J6-F	60A	60A-600V	J	4.28	6.39	0.25	7.85	13.86
•	•	OESA-F100J6-F	100A	100A-600V	J ¹	6.54	7.78	0.25	7.42	13.42
		200A ²								

¹J type fuse clips are standard. If 600 V Type "T" fuse clips are desired, order T type fuse adaptor

²200 A available by using non-fusible 200A switch and a trailing fuse block (consult ABB)

Fluoromount Enclosures

ABB Controls Circuit Breakers (Flange-Mounted Operators)

Fits Enclosure Height		ISOMAX Circuit Breaker	Amp Rating	Operating Mechanism	Frame Type	Space Occupied			When A=60.13	When A=72.13
60.13	72.13					L	M	N	P	P
•	•	S1N100TL	100A	K2FHD-M	S1	5.30	4.60	0.63	8.33	14.33
•	•	S3N150TW	150A	K3FHD-M	S3	6.67	5.02	0.63	7.73	13.73
•	•	S3N225TW	225A	K3FHD-M	S3	6.67	5.02	0.63	7.73	13.73
•	•	S4N250BW	250A	K4FHD-M	S4	8.45	5.02	0.63	6.20	12.20
•	•	S5N400TW	400A	K5FHD-M	S5	8.45	6.40	0.63	6.20	12.20
•	•	S6N600TW	600A	K6FHD-M	S6	8.33	10.00	0.63	5.53	11.53
•	•	S6N800TW	800A	K6FHD-M	S6	8.33	10.00	0.63	5.53	11.53

"K" = 7.88 when "A" = 60.13

"K" = 13.88 when "A" = 72.13

Charts reference Space Occupied by Disconnect Drawing.

2UD, 2UDF & 2UDCP Two Door Disconnect Enclosures - NEMA 12

ABB Controls, Allen Bradley, Cutler Hammer, General Electric, Siemens I-T-E Max-Flex™, Square D

Disconnect
Floormount Enclosures

Allen Bradley

Allen Bradley 1494F Disconnect Switches

Fits Enclosure Height		ABB Switch Number	Amp Rating	Fuse Clip	Fuse Class	Space Occupied			When A=60.13	When A=72.13
60.13	72.13					L	M ¹	N	P	P
•	•	N30	30A	No Fuse	—	4.62	6.50	0.63	5.31	11.31
•	•	NF30	30A	30A-250V	H, K, R	6.50	6.50	0.63	5.31	11.31
•	•	NF30	30A	60A-250V	H, K, R	7.25	6.50	0.63	5.31	11.31
•	•	NF30	30A	30A-600V	H, K, R	9.25	6.50	0.63	5.31	11.31
•	•	NF30	30A	60A-600V	H, K, R	9.75	6.50	0.63	5.31	11.31
•	•	NF30	30A	30A-600V	J	6.50	6.50	0.63	5.31	11.31
•	•	NF30	30A	60A-600V	J	6.62	6.50	0.63	5.31	11.31
•	•	N60	60A	No Fuse	—	4.62	6.50	0.63	4.62	10.62
•	•	NF60	60A	30A-600V	H, K, R	10.38	6.50	0.63	4.62	10.62
•	•	NF60	60A	60A-250V	H, K, R	8.38	6.50	0.63	4.62	10.62
•	•	NF60	60A	100A-250V	H, K, R	10.88	6.50	0.63	4.62	10.62
•	•	NF60	60A	60A-600V	H, K, R	10.88	6.50	0.63	4.62	10.62
•	•	NF60	60A	100A-600V	H, K, R	12.88	6.62	0.63	4.62	10.62
•	•	NF60	60A	60A-600V	J	7.75	6.50	0.63	4.62	10.62
•	•	NF60	60A	100A-600V	J	9.75	6.50	0.63	4.62	10.62
•	•	N100	100A	No Fuse	—	4.62	7.25	0.63	—	8.75
•	•	NF100	100A	100A-250V	H, K, R	11.38	7.38	0.63	—	8.75
•	•	NF100	100A	200A-250V	H, K, R	12.25	7.62	0.63	—	8.75
•	•	NF100	100A	100A-600V	H, K, R	13.38	7.50	0.63	—	8.75
•	•	NF100	100A	200A-600V	H, K, R	14.75	7.75	0.63	—	8.75
•	•	NF100	100A	100A-600V	J	10.12	7.38	0.63	—	8.75
•	•	NF100	100A	200A-600V	J	10.88	7.50	0.63	—	8.75
•	•	N200	200A	No Fuse	—	7.12	10.38	0.56	—	7.125
•	•	NF200	200A	200A-250V	H, K, R	15.00	10.38	0.56	—	7.125
•	•	NF200	200A	400A-250V	H, K, R	16.56	10.75	0.56	—	7.125
•	•	NF200	200A	200A-600V	H, K, R	17.56	10.38	0.56	—	7.125
•	•	NF200	200A	400A-600V	H, K, R	19.56	11.00	0.56	—	7.125
•	•	NF200	200A	200A-600V	J	13.69	10.38	0.56	—	7.125
•	•	NF200	200A	400A-600V	J	15.00	10.62	0.56	—	7.125

¹ "M" dimension does not allow for auxiliary switches. Refer to Allen Bradley instructions if additional space is required.

Allen Bradley 1494D Operators (Circuit Breakers)

Fits Enclosure Height		Alan Bradley Type Number	Amp Rating	Circuit Breker Type	Space Occupied			When A=60.13	When A=72.13
60.13	72.13				L	M ¹	N	P	P
•	•	N4/N40	150A	C-H Westinghouse EHD,FD,FDB,FDC,HFD,HMCP	5.81	4.56	0.63	5.25	11.25
•	•	N5/N55	225A	General Electric TFK, THFK, TFC	8.81	4.75	0.63	4.44	10.44
•	•	N5/N50	250A	C-H Westinghouse JD,JDB,JDC,HJD,HMCP	8.81	4.75	0.63	4.44	10.44
•	•	N5/N60	400A	C-H Westinghouse KD,KDB,DK,HKD,HMCP	8.81	5.88	0.63	—	10.50

¹"M" dimension does not allow for auxiliary switches. Refer to Allen Bradley instructions if additional space is required.

"K" = 5.88 when "A" = 60.13
 "K" = 11.88 when "A" = 72.13 (except 200A switches)
 "K" = 10.56 when "A" = 72.13 (200A switches only).

Charts reference Space Occupied by Disconnect Drawing.

Technical references and DXF downloads available at www.hammondenclosuresales.com

All dimensions in inches unless specified otherwise

Quality Enclosures. Service Excellence.

Gross Automation (877) 268-3700 · www.hammondenclosuresales.com · sales@grossautomation.com

2UD, 2UDF & 2UDCP Two Door Disconnect Enclosures - NEMA 12

ABB Controls, Allen Bradley, Cutler Hammer, General Electric, Siemens I-T-E Max-Flex™, Square D

Disconnect

Allen Bradley cont'd.

Allen Bradley 1494V Operators (Disconnect Switches)

Fits Enclosure Height		ABB Switch Number	Amp Rating	Fuse Clip	Fuse Class	L	Space Occupied		When	When
60.13	72.13						M ²	N	A=60.13	A=72.13
								P	P	
•	•	DS30	30A	No Fuse	—	3.88	6.75	1.06	6.00	12.00
•	•	DS30	30A	30A-250V	H,K,R	5.25	6.75	1.06	6.00	12.00
•	•	DS30	30A	30A-600V	H,K,R	8.00	6.75	1.06	6.00	12.00
•	•	DS30	30A	30A-600V	J	5.25	6.75	1.06	6.00	12.00
•	•	DS30	30A	60A-250V	H,K	6.00	6.75	1.06	6.00	12.00
•	•	DS30	30A	60A-600V	H,K	8.50	6.75	1.06	6.00	12.00
•	•	DS30	30A	60A-600V	J	5.38	6.75	1.06	6.00	12.00
•	•	DS60	60A	No Fuse	—	3.88	6.75	1.06	5.81	11.81
•	•	DS60	60A	60A-250V	H,K,R	6.00	6.75	1.06	5.81	11.81
•	•	DS60	60A	60A-600V	H,K,R	8.50	6.75	1.06	5.81	11.81
•	•	DS60	60A	60A-600V	J	5.38	6.75	1.06	5.81	11.81
•	•	DS60	60A	30A-600V	H,K,R	8.00	6.75	1.06	5.81	11.81
•	•	DS60	60A	100A-250V	H,K	8.50	6.75	1.06	5.81	11.81
•	•	DS60	60A	100A-600V	H,K	10.50	6.75	1.06	5.81	11.81
•	•	DS60	60A	100A-600V	J	7.25	6.75	1.06	5.81	11.81
•	•	DS100 ¹	100A	No Fuse	—	3.88	6.75	1.06	5.81	11.81
•	•	DS100 ¹	100A	100A-250V	H,K,R	8.12	6.75	1.06	5.81	11.81
•	•	DS100 ¹	100A	100A-600V	H,K,R	10.12	6.75	1.06	5.81	11.81
•	•	DS100 ¹	100A	100A-600V	J	6.80	6.75	1.06	5.81	11.81
•	•	DS100 ¹	100A	60A-600V	H,K,R	10.12	6.75	1.06	5.81	11.81
•	•	DS100 ¹	100A	60A-600V	J	8.88	6.75	1.06	5.81	11.81
•	•	DS200 ¹	200A	No Fuse	—	4.75	8.00	1.06	—	10.34
•	•	DS200 ¹	200A	200A-250V	H,K,R	10.88	8.00	1.06	—	10.34
•	•	DS200 ¹	200A	200A-600V	H,K,R	13.88	8.00	1.06	—	10.34
•	•	DS200 ¹	200A	200A-600V	J	9.50	8.00	1.06	—	10.34
•	•	DS200 ¹	200A	100A-600V	H,K,R	12.00	8.00	1.06	—	10.34
•	•	DS200 ¹	200A	100A-600V	J	8.75	8.00	1.06	—	10.34

¹ Series B

² "M" dimension does not allow for auxiliary switches

Floormount Enclosures

Allen Bradley 1494V Operators (Circuit Breakers)

Fits Enclosure Height		Alan Bradley Type Number	Amp Rating	Circuit Breker Type	L	Space Occupied		When	When
60.13	72.13					M ¹	N	A=60.13	A=72.13
								P	P
•	•	M40	15A-150A	C-H Westinghouse EHD,FD,FDB,FDC,HFD,HMCP	5.00	4.62	1.06	7.25	13.25
•	•	M50	70A-250A	C-H Westinghouse JD,JDB,JDC,HJD,HMCP	9.75	4.88	1.06	6.81	12.81
•	•	M60	100A-400A	C-H Westinghouse KD,KDB,DK,HKD,HMCP	9.69	6.25	1.06	—	12.62

¹ "M" dimension does not allow for auxiliary switches. Refer to Allen Bradley instructions if additional space is required.

"K" = 7.88 when "A" = 60.13

"K" = 13.88 when "A" = 72.13

Charts reference Space Occupied by Disconnect Drawing.

2UD, 2UDF & 2UDCP Two Door Disconnect Enclosures - NEMA 12

ABB Controls, Allen Bradley, Cutler Hammer, General Electric, Siemens I-T-E Max-Flex™, Square D

Disconnect

Floormount Enclosures

Cutler Hammer

Cutler Hammer C361 Disconnect Switches

Fits Enclosure Height		Cutler Hammer Type Number	Amp Rating	Fuse Clip	Fuse Class	Space Occupied			When A=60.13	When A=72.13
60.13	72.13					L	M	N	P	P
•	•	C361NC	30A	No Fuse	—	5.75	7.55	0.63	6.50	12.50
•	•	C361SC21	30A	30A-250V	H, K, R	8.38	7.55	0.63	6.50	12.50
•	•	C361SC61	30A	60A-250V	H, K, R	8.38	7.55	0.63	6.50	12.50
•	•	C361SC61	30A	30A-600V	H, J, K, R	8.38	7.55	0.63	6.50	12.50
•	•	C361ND	60A	No Fuse	—	5.75	7.55	0.63	6.50	12.50
•	•	C361SD22	60A	60A-250V	H, K, R	8.38	7.55	0.63	6.50	12.50
•	•	C361SD22	60A	30A-600V	J	8.38	7.55	0.63	6.50	12.50
•	•	C361SD62	60A	60A-600V	H, K, R	8.38	7.55	0.63	6.50	12.50
•	•	C361SD62	60A	60A-600V	J	8.38	7.55	0.63	6.50	12.50
•	•	C361NE	100A	No Fuse	—	5.56	9.07	0.63	6.06	12.06
•	•	C361SE263	100A	100A-250V	H, K, R	10.31	9.07	0.63	6.06	12.06
•	•	C361SE263	100A	100A-600V	H, K, R	10.31	9.07	0.63	6.06	12.06
•	•	C361SE263	100A	100A-600V	J	10.31	9.07	0.63	6.06	12.06
•	•	C361NF	200A	No Fuse	—	13.06	10.12	0.63	4.06	10.12
•	•	C361SF264	200A	200A-250V	H, K, R	13.06	10.12	0.63	4.06	10.12
•	•	C361SF264	200A	200A-600V	H, K, R, J	13.06	10.12	0.63	4.06	10.12

Cutler Hammer C371 Circuit Breakers (C-H Westinghouse Circuit Breakers)

Fits Enclosure Height		Cutler Hammer Mechanisms	Amp Rating	Frame Type	Space Occupied			When A=60.13	When A=72.13
60.13	72.13				L	M	N	P	P
•	•	C371E	150A	F Frame EHD,FDB,FD,HFD,FDC	6.00	5.62	0.63	7.62	13.62
•	•	C371E	150A	F Frame HMCP	6.00	5.62	0.63	7.62	13.62
¹	•	C371F	250A	J Frame JDB,JD,HJD,JDC	8.94	8.12	0.63	7.50	13.50
¹	•	C371F	250A	J Frame HMCP	10.94	8.12	0.63	7.50	13.50
¹	•	C371F	400A	K Frame DK,KDB,KD,HKD	9.75	8.12	0.63	7.00	13.00
¹	•	C371F	400A	K Frame HMCP	9.75	8.12	0.63	7.00	13.00
	²	C371G	600A	L Frame LD,HLD,LDC	8.44	12.00	0.63	-	11.38
	²	C371G	600A	L Frame HMCP	8.44	12.00	0.63	-	11.38

¹Wire bend space "P" does not allow cable size larger than 4/0 AWG in a 60.13" tall enclosures.

²Wire bend space "P" does not allow cable size larger than 300 MCM.

"K" = 7.88 when "A" = 60.13

"K" = 13.88 when "A" = 72.13

Charts reference Space Occupied by Disconnect Drawing.

Cutler Hammer continued on next pag

2UD, 2UDF & 2UDCP Two Door Disconnect Enclosures - NEMA 12

ABB Controls, Allen Bradley, Cutler Hammer, General Electric, Siemens I-T-E Max-Flex™, Square D

Disconnect

Cutler Hammer cont'd.

Cutler Hammer Flex-Shaft™ Operator Mechanisms (C-H Westinghouse Circuit Breakers)

Complete Operator Mechanisms	Amp Rating	Fram Type	Breaker Height "X" (in inches)	Breaker Width "Y" (in inches)
F1S03	150A	F Frame EHD,FDB,FD,HFD	6.00	4.12
F1S03	150A	F Frame HCMP	6.00	4.12
F2S03	250A	J Frame JDB,JD,HJD,JDC	10.00	4.12
F2S03	250A	J Frame HCMP	10.00	4.12
F3S03	400A	K Frame DK,KDB,KD,HKD	10.12	5.50
F3S03	400A	K Frame HCMP	12.45	5.50
F4S04	600A	L Frame LD,HLD,LDC	10.75	8.25
F7S04	800A	M Frame MD,MDS	16.00	8.25
F5S04	1200A	N Frame ND,HND,NDC	16.00	8.25
F6S04	2500A	R Frame RD,CRD, RDC	16.00	15.50

Part numbers for Complete Operator Mechanisms include flange mounted handle, flexible shaft and circuit breaker mechanism. The last digit of the part number denotes the shaft length (F1S03=3' length).

- F,J,K frame Flex-Shafts™ available in 3' to 10' lengths.
- L,N,R frame Flex-Shafts™ available in 4' to 6' lengths.

Space Occupied By Disconnect

1. Flex-Shaft™ System permits circuit breaker locations separate from flange mounted handle mechanism.
2. See National Electrical Code 2005 article 430-10(b) for wiring space (Ref "P") needed for line side conductors.
3. Select shaft length based on location of circuit breaker in the enclosure. Maintain a 4" minimum bending radius for the Flex-Shaft™.
4. Space occupied by circuit breaker is calculated by:
 - Overall (Height "X" and Width "Y")
 - Minimum wire bend space (manufacturer specified)
 - Location "M" from right to left.

Charts reference Space Occupied by Disconnect Drawing.

Floormount Enclosures

2UD, 2UDF & 2UDCP Two Door Disconnect Enclosures - NEMA 12

ABB Controls, Allen Bradley, Cutler Hammer, General Electric, Siemens I-T-E Max-Flex™, Square D

Disconnect
Floormount Enclosures

General Electric

General Electric Type STDA Disconnect Switch Operators

Fits Enclosure Height		General Electric Switch Mechanisms	Amp Rating	Fuse Clip	Fuse Class	Space Occupied			When A=60.13	When A=72.13
60.13	72.13					L	M	N	P	P
•	•	TDOM1A	30A	No Fuse	-	6.88	5.38	0.63	8.38	14.38
•	•	TDOM1A	30A	30A-250V	H, R	6.88	5.38	0.63	8.38	14.38
•	•	TDOM1B	30A	30A-600V	H, R	11.50	5.38	0.63	8.38	14.38
•	•	TDOM1B	30A	60A-250V	H, R	11.50	5.38	0.63	8.38	14.38
•	•	TDOM1B	30A	60A-600V	H, R	11.50	5.38	0.63	8.38	14.38
•	•	TDOM1A	60A	No Fuse	-	6.88	5.38	0.63	8.38	14.38
•	•	TDOM1B	60A	60A-250V	H, R	11.50	5.38	0.63	8.38	14.38
•	•	TDOM1B	60A	60A-600V	H, R	11.50	5.38	0.63	8.38	14.38
•	•	TDOM1B	60A	100A-250V	H, R	11.50	5.38	0.63	8.38	14.38
•	•	TDOM1B	60A	100A-600V	H, R	11.50	5.38	0.63	8.38	14.38
•	•	TDOM1A	100A	No Fuse	-	6.88	5.38	0.63	8.38	14.38
•	•	TDOM1B	100A	100A-250V	H, R	11.50	5.38	0.63	8.38	14.38
•	•	TDOM1B	100A	100A-600V	H, R	11.50	5.38	0.63	8.38	14.38
•	•	TDOM1B	100A	200A-250V	H, R	11.50	5.38	0.63	8.38	14.38
•	•	TDOM1B	100A	200A-600V	H, R	11.50	5.38	0.63	8.38	14.38
•	•	TDOM2	200A	No Fuse	-	7.00	9.25	0.63	5.69	11.69
•	•	TDOM2	200A	200A-250V	H, R	15.38	9.25	0.63	5.69	11.69
•	•	TDOM2	200A	200A-600V	H, R	15.38	9.25	0.63	5.69	11.69

General Electric Type STDA Circuit Breaker Operators

Fits Enclosure Height		General Electric Circuit Breaker Mechanisms	Amp Rating	Frame Type	Space Occupied			When A=60.13	When A=72.13
60.13	72.13				L	M	N	P	P
•	•	TDOM1A	150A	TEB, TED, THED	6.88	5.38	0.63	7.24	13.24
•	•	TDOM1A	150A	TEC	6.88	5.38	0.63	7.24	13.24
•	•	TDOM1B	150A	TB1	11.50	5.38	0.63	7.24	13.24
•	•	TDOM1B	150A	TEC, TECL	11.50	5.38	0.63	7.24	13.24
•	•	TDOM1C	150A	TEL	6.88	5.38	0.63	7.24	13.24
•	•	TDOM1D	150A	THLC1	6.88	5.38	0.63	5.87	11.87
•	•	TDOM3	225A	TFJ	10.38	5.88	0.63	6.81	12.81
•	•	TDOM3	225A	TFK, THFK, TFL	10.38	5.88	0.63	6.81	12.81
•	•	TDOM4	400A	TJJ, TJK4, THJK4, TJL4V	8.25	9.50	0.63	—	11.91
•	•	TDOM4	600A	TJK6, THJK6, TJ4V, TJL4V	8.25	9.50	0.63	—	11.91
•	•	TDOM5	400A	TB4, TJH6S	14.25	9.50	0.63	—	11.91
•	•	TDOM6	225A	TLB2, THLC2	11.75	9.50	0.63	—	11.35
•	•	TDOM6	400A	TLB4, THLC4	11.75	9.50	0.63	—	9.97
•	•	SDOM1A	150A	SE150	6.88	5.38	0.63	7.24	13.24
•	•	SDOM3	250A	SPECTRA SF250	10.38	5.88	0.63	6.81	11.88
•	•	SDOM4	600A	SPECTRA SG600	10.00	7.12	0.63	—	9.18

"K" = 7.88 when "A" = 60.13
 "K" = 13.88 when "A" = 72.13

Charts reference Space Occupied by Disconnect Drawing.

...General Electric continued on next page

2UD, 2UDF & 2UDCP Two Door Disconnect Enclosures - NEMA 12

ABB Controls, Allen Bradley, Cutler Hammer, General Electric, Siemens I-T-E Max-Flex™, Square D

Disconnect

General Electric cont'd.

General Electric Circuit Breakers (Spectra-Flex™ Cable Operators)

Fits Enclosure Height		Frame Size	Max Amp Rating	Circuit Breaker Height "X"	Circuit Breaker Width "Y"
60.13	72.13				
•	•	E150	150A	6.31	4.12
•	•	SE150	150A	6.31	4.12
•	•	SF250	250A	10.12	4.12
•	•	SG600	600A	10.09	5.50
•	•	SK1200	1200A	15.50	8.25

Note: All 2UD,2UDF,2UDCP series enclosures that are 24.00" deep require a 48" or longer operating cable

Frame Size	Breaker Mechanism	Flange Mounting Handle ¹	Operating Cable ²
E150	SCOM1A	SCH1	SC3L
SE150/SF250	SCOM1EF	SCH1	SC3L
SG600	SCOM1G	SCH1	SC3L
SK1200	SCOM1K	SCH2K	SC3H

¹Add "X" for NEMA 4 or NEMA 4X Flange mounting handle.

²Operating Cables are available 3' to 10' lengths. In the table above, the number "3" in the part number indicates a 3' cable.

Space Occupied By Disconnect

1. GE Spectra-Flex™ Operating Cables permit circuit breaker locations separate from flange mounted handle mechanism.
2. See National Electrical Code 2005 article 430-10(b) for wiring space (Ref "P") needed for line side conductors.
3. Select shaft length based on location of circuit breaker in the enclosure. Maintain a 3" minimum bending radius for the Flex-Shaft™.
4. Space occupied by circuit breaker is calculated by:
 - Overall (Height "X" and Width "Y")
 - Minimum wire bend space (manufacturer specified)
 - Location "M" from right to left.

"K" = 7.88 when "A" = 60.13

"K" = 13.88 when "A" = 72.13

Charts reference Space Occupied by Disconnect Drawing.

Floormount Enclosures

2UD, 2UDF & 2UDCP Two Door Disconnect Enclosures - NEMA 12

ABB Controls, Allen Bradley, Cutler Hammer, General Electric, Siemens I-T-E Max-Flex™, Square D

Disconnect
Floormount Enclosures

Siemens I-T-E

I-T-E Disconnect Switches (Max-Flex™ Operators)

Fits Enclosure Depth		Switch	Amp Rating	Fuse Clip	Fuse Class	Disconnect Height "X"	Disconnect Width "Y"
60.13	72.13						
•	•	MCS603R	30A	No Fuse	—	5.52	6.13
•	•	MCS603R	30A	30A-250V	H,K,R	8.11	6.13
•	•	MCS603R	30A	30A-600V	H,K,R	10.11	6.13
•	•	MCS603R	30A	30A-600V	J	8.48	6.13
•	•	MCS606R	60A	No Fuse	—	5.52	6.13
•	•	MCS606R	60A	60A-250V	H,K,R	7.86	6.13
•	•	MCS606R	60A	60A-600V	H,K,R	10.38	6.13
•	•	MCS606R	60A	60A-600V	J	8.36	6.13
•	•	MCS610R	100A	No Fuse	—	7.59	7.38
•	•	MCS610R	100A	100A-250V	H,K,R	11.85	7.38
•	•	MCS610R	100A	100A-600V	H,K,R	13.85	7.38
•	•	MCS610R	100A	100A-600V	J	10.60	7.38
•	•	MCS620R	200A	No Fuse	—	9.00	9.17
•	•	MCS620R	200A	200A-250V	H,K,R	14.70	9.17
•	•	MCS620R	200A	200A-600V	H,K,R	17.20	9.17
•	•	MCS620R	200A	200A-600V	J	13.32	9.17

Note: Enclosures that are 24.13" deep require a 48" Max-Flex™ cable (minimum cable length).

Siemens I-T-E Max-Flex™ Operators (Circuit Breakers)

Complete Operator Mechanism	Amp Rating	Breaker Frame Size	Circuit Breaker Type	Circuit Breaker Height "X"	Circuit Breaker Width "Y"
FHOE036	125A	ED	ED2, ED4, ED6, HED4, HED6	6.34	3.00
FHOE036	125A	CED	CED6	9.58	3.00
FHOF036	250A	FD	FXD6-A, FD6-A, HFD6, FXD6ETJ, HHFD6, HHFXD6	9.50	4.50
FHOF036	250A	CFD	CFD6, CFD6-ETI	14.25	4.50
FHOJ036	400A, 600A	JD, LD	JXD2, LXD6, JD6, LD6, HJD6, HLD6, HHJD6, HHLD6, HHJXD6, HHLDX6, JXD6-ETI, LXD6-ETI	11.00	7.50
FHOJ036	400A, 600A	CJD,CLD	CJD6, CLD6, CJD6-ETI, CLD6-ETI	17.86	7.50
FHOLMO36	800A	LMD	LMD6, LMXD6, HLMD6, HLMXD6, LMXD6-ETI	16.00	9.00
FHON048	800A, 1200A	MD, ND	MD6, ND6, MXD6, NXD6, HMD6, HND6, HMXD6, HNXD6, CMD6, CND6, MXD6-ETI, CMD6-ETI	24.00	9.00
FHON048	1600A, 2000A	PD,RD	PD6, RD6, PXD6, RXD6, HPD6, HRD6, HPXD6, HRXD6, CPD6	24.50(2)	13.63(2)

Circuit Breaker Size includes required base mounting block.

Last three digits of operator mechanism part number denote cable length in inches.

24" deep enclosures require longer operating cables. Sold separately.

"K" = 7.88 when "A" = 60.13

"K" = 13.88 when "A" = 72.13

(Deduct 1.45 inches from "K" for FHONO48 Operator mechanism for MD,ND,PD,RD Circuit Breakers)

Space Occupied By Disconnect

1. Siemens I-T-E Max-Flex™ System permits circuit breaker locations separate from flange mounted handle mechanism.
2. See National Electrical Code 2005 article 430-10(b) for wiring space (Ref "P") needed for line side conductors.
3. See Siemens I-T-E instructions for disconnect location limitations when using 36" or 48" Max-Flex™ cables.
4. Space occupied by circuit breaker is calculated by:
 - Overall (Height "X" and Width "Y")
 - Minimum wire bend space (manufacturer specified)
 - Location "M" from right to left.

Charts reference Space Occupied by Disconnect Drawing.

2UD, 2UDF & 2UDCP Two Door Disconnect Enclosures - NEMA 12

ABB Controls, Allen Bradley, Cutler Hammer, General Electric, Siemens I-T-E Max-Flex™, Square D

Disconnect
Floormount Enclosures

Square D

Square D Class 9422 Variable Depth Disconnect Switches

Fits Enclosure Height		Square D Amp Number	Amp Rating	Fuse Clip	Fuse Class	Space Occupied			When A=60.13	When A=72.13
60.13	72.13					L	M	N	P	P
•	•	TCN-30	30A	No Fuse	—	3.80	6.97	0.63	6.75	12.75
•	•	TCF-30	30A	30A-250V	H, K, R	5.53	6.97	0.63	6.75	12.75
•	•	TCF-33	30A	30A-600V	H, K, R	8.15	6.97	0.63	6.75	12.75
•	•	TCF-33	30A	60A-250V	H, K, R	6.15	6.97	0.63	6.75	12.75
•	•	TCF-33	30A	30A-600V	J	5.53	6.97	0.63	6.75	12.75
•	•	TDN-60	60A	No Fuse	—	3.80	6.97	0.63	6.75	12.75
•	•	TDF-60	60A	30A-600V	H, K, R	8.15	6.97	0.63	6.75	12.75
•	•	TDF-60	60A	60A-250V	H, K, R	6.15	6.97	0.63	6.75	12.75
•	•	TDF-63	60A	60A-600V	H, K, R	8.65	6.97	0.63	6.75	12.75
•	•	TDF-63	60A	60A-600V	J	5.53	6.97	0.63	6.75	12.75
•	•	TEN-10	100A	No Fuse	—	3.80	6.97	0.63	6.62	12.62
•	•	TEF-10	100A	100A-250V	H, K, R	8.25	6.97	0.63	6.62	12.62
•	•	TEF-10	100A	100A-600V	H, K, R	10.25	6.97	0.63	6.62	12.62
•	•	TEF-10	100A	100A-600V	J	7.05	6.97	0.63	6.62	12.62
•	•	TEF-13	100A	200A-600V	J	—	—	0.63	6.62	12.62
•	•	TC-1	30A	No Fuse	-	5.75	6.12	0.63	5.88	11.88
•	•	TC-2	30A	30A-250V	H, K, R	5.75	6.12	0.63	5.88	11.88
•	•	TC-3	30A	30A-600V	H, K, R	7.75	6.12	0.63	5.88	11.88
•	•	TC-3	30A	60A-250V	H, K, R	5.88	6.12	0.63	5.88	11.88
•	•	TC-3	30A	30A-600V	J	5.75	6.12	0.63	5.88	11.88
•	•	TD-1	60A	No Fuse	—	6.38	6.75	0.63	6.75	12.75
•	•	TD-2	60A	30A-600V	H, K, R	8.50	6.75	0.63	6.75	12.75
•	•	TD-2	60A	60A-250V	H, K, R	6.50	6.75	0.63	6.75	12.75
•	•	TD-3	60A	60A-600V	H, K, R	9.00	6.75	0.63	6.75	12.75
•	•	TD-3	60A	60A-600V	J	6.38	6.75	0.63	6.75	12.75
•	•	TE-1	100A	No Fuse	—	4.75	8.50	0.63	6.50	12.50
•	•	TE-2	100A	100A-250V	H, K, R	7.50	8.50	0.63	6.50	12.50
•	•	TE-2	100A	100A-600V	H, K, R	9.50	8.50	0.63	6.50	12.50
•	•	TE-2	100A	100A-600V	J	6.25	8.50	0.63	6.50	12.50
•	•	TE-3	100A	200A-600V	J	13.75	8.50	0.63	6.50	12.50
•	•	TF-1	200A	No Fuse	—	5.50	11.75	0.63	5.12	11.12
•	•	TF-2	200A	200A-250V	H, K, R	11.50	11.75	0.63	5.12	11.12
•	•	TF-2	200A	200A-600V	H, K, R	14.00	11.75	0.63	5.12	11.12
•	•	TF-2	200A	200A-600V	J	10.12	11.75	0.63	5.12	11.12
•	•	TF-3	200A	400A-600V	J	14.50	11.75	0.63	5.12	11.12

Square D Class 9422 Variable Depth Operators (Circuit Breakers)

Fits Enclosure Depth		Square D Type Number	Amp Rating	Frame Size	Space Occupied			When A=60.13	When A=72.13
60.13	72.13				L	M	N	P	P
•	•	RG-1	75A	GJL	3.53	3.87	0.63	6.69	12.69
•	•	RG-1	100A	GJL	3.53	3.87	0.63	6.69	12.69
•	•	RN-1	100A	FAL, FHL	5.12	5.38	0.63	6.88	12.88
•	•	RP-1	250A	KAL, KHL	7.12	5.75	0.63	7.56	13.56
•	•	RR-1	400A	LAL, LHL, Q4L	7.62	8.88	0.63	—	9.25

"K" = 7.88 when "A" = 60.13
 "K" = 13.88 when "A" = 72.13

Charts reference Space Occupied by Disconnect Drawing...see page 180.

2UD, 2UDF & 2UDCP Two Door Disconnect Enclosures - NEMA 12

ABB Controls, Allen Bradley, Cutler Hammer, General Electric, Siemens I-T-E Max-Flex™, Square D

Disconnect
Floormount Enclosures

Square D

Square D Class 9422 Disconnect Switches (Cable Mechanism 9422-CFT30 and 9422A-1 Handle Mechanism)

Fits Enclosure Depth		Square D Type Number	Amp Rating	Fuse Clip	Fuse Class	Disconnect Height "X"	Disconnect Width "Y"
A=60.13 P	A=72.13 P						
•	•	TCN-30	30A	No Fuse	—	5.90	6.20
•	•	TCF-30	30A	30A-250V	H, K, R	7.50	6.20
•	•	TCF-33	30A	30A-600V	H, K, R	10.15	6.20
•	•	TCF-33	30A	60A-250V	H, K, R	8.15	6.20
•	•	TCF-33	30A	30A-600V	J	7.50	6.20
•	•	TDN-60	60A	No Fuse	—	5.90	6.20
•	•	TDF-60	60A	30A-600V	H, K, R	10.15	6.20
•	•	TDF-60	60A	60A-250V	H, K, R	8.15	6.20
•	•	TDF-63	60A	60A-600V	H, K, R	10.65	6.20
•	•	TDF-63	60A	60A-600V	J	7.5	6.20
•	•	TEN-10	100A	No Fuse	—	5.90	6.20
•	•	TEF-10	100A	100A-250V	H, K, R	10.35	6.20
•	•	TEF-10	100A	100A-600V	H, K, R	10.35	6.20
•	•	TEF-10	100A	100A-600V	J	10.35	6.20

Square D Class 9422 Cable Mechanism (Circuit Breakers)

Fits Enclosure Depth		Cable Type Switch	Amp Rating	Fram Type	Circuit Breaker Height "X"	Circuit Breaker Width "Y"
A=60.13 P	A=72.13 P					
•	•	9422 CGJ30	75A	GJL	4.75	3.50
•	•	9422 CEJ30	100A	GJL	4.75	3.50
•	•	9422 CFA30	100A	FAL,FHL	6.00	4.50
•	•	9422 CKA30	250A	KAL,KHL	8.00	4.50
•	•	9422 CLA30	400A	LAL,LHL,Q4L	11.00	6.00

Use cable mechanism with circuit breaker and 9422-A1 handle mechanism

Cable operators are offered in 3', 5', and 10' lengths. Last 2 digits of part numbers above (30) are for 3' cables

Space Occupied By Disconnect Switch

1. Square D Cable System permits circuit breaker locations separate from flange mounted handle mechanism.
2. See National Electrical Code 2005 article 430-10(b) for wiring space (Ref "P") needed for line side conductors.
3. Select cable mechanism length based on disconnect location in enclosure. See Square D instructions for minimum cable bend radius.
4. Space occupied by circuit breaker is calculated by:
 - Overall (Height "X" and Width "Y")
 - Minimum wire bend space (manufacturer specified)

"K" = 7.88 when "A" = 60.13
"K" = 13.88 when "A" = 72.13

Charts reference Space Occupied by Disconnect Drawing...see page 180.